

AC FAN

80mm~280mm

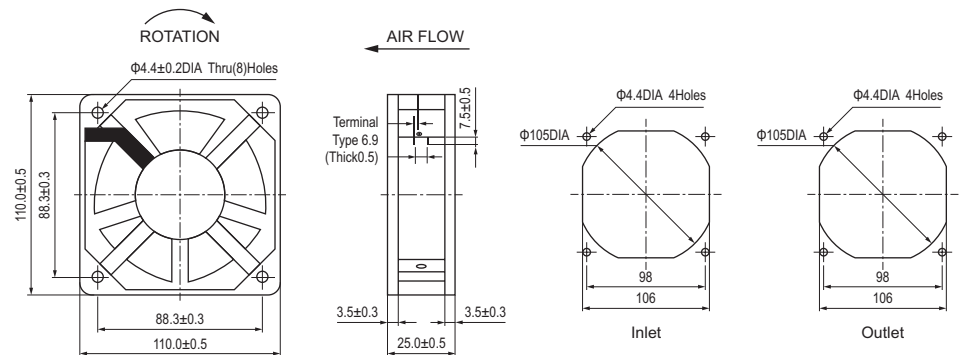


NA11025



General Specification

Size: 110×110×25mm
 Airflow: 70~100m³/hr 41~59CFM
 Weight: 304g
 Noise: 30~41dBA
 Impeller: PBT Black
 Frame: Aluminum Alloy
 Terminals: 0.5mm
 Lead Wire: AWG#22
 Motor: Shaded Pole Induction Motor
 Operation Temperature: -10°C~+65°C



Specific Parameters

Model Number	Bearing Type	Voltage (V)	Freq. (Hz)	Current (A)	Power (W)	Speed (RPM)	Noise (dBA)	Air Flow		Phase	Capacitor
								M ³ /hr	CFM		
11025-110BH	Ball	100~125	50/60	0.20	18	2200/2500	34/40	84/100	49/59	1	/
11025-230BH	Ball	200~240	50/60	0.10	18	2200/2500	35/41	84/100	49/59	1	/
11025-110BM	Ball	100~125	50/60	0.16	16	1800/2300	30/35	70/84	41/49	1	/
11025-230BM	Ball	200~240	50/60	0.80	16	1800/2300	30/35	70/84	41/49	1	/
11025-110SH	Sleeve	100~125	50/60	0.20	18	2200/2500	34/40	84/100	49/59	1	/
11025-230SH	Sleeve	200~240	50/60	0.10	18	2200/2500	35/41	84/100	49/59	1	/
11025-110SM	Sleeve	100~125	50/60	0.16	16	1800/2300	30/35	70/84	41/49	1	/
11025-230SM	Sleeve	200~240	50/60	0.80	16	1800/2300	30/35	70/84	41/49	1	/

"B" means Ball, "S" means Sleeve, "H" means High Speed, "M" means Middle Speed, Current, Speed can be customer made

