

## DC FAN

20mm~254mm



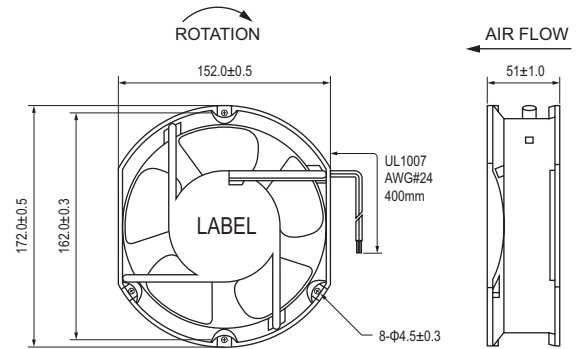
### DC17051

Size: 170×152×51mm



### General Specification

Frame / Impeller: Plastic  
 Lead Wire: AWG#24 or  
 Equivalent (+)Red, (-)Black  
 Ball Bearing 50,000Hrs(40°C)  
 Sleeve Bearing 30,000Hrs(40°C)  
 Operating temperature: -10°C~+70°C  
 Storage temperature: -40°C~+70°C



Model Number	# Bearing Type	Rated Voltage (VDC)	Operating Voltage (VDC)	Input Current (A)	Input Power (W)	Speed (RPM)	Max Air Volum		Max Static Pressure		Noise (dB-A)	Weight (g)
							(CFM)	m <sup>3</sup> /min	Inch-H <sub>2</sub> O	Pa		
DC17251#12U	B	12	7.0~13.8	3.00	36.00	4000	305.29	8.65	1.14	283.51	67.0	740.0
DC17251#12H	B	12	7.0~13.8	2.00	24.00	3500	257.88	7.30	0.71	176.81	59.0	740.0
DC17251#12M	B	12	7.0~13.8	1.50	18.00	3000	220.85	6.25	0.52	128.57	51.0	740.0
DC17251#12L	B	12	7.0~13.8	1.00	12.00	2500	185.24	5.25	0.37	92.77	44.0	740.0
DC17251#24U	B	24	14.0~27.6	1.50	36.00	4000	305.29	8.65	1.14	283.51	67.0	740.0
DC17251#24H	B	24	14.0~27.6	1.00	24.00	3500	257.88	7.30	0.71	176.81	59.0	740.0
DC17251#24M	B	24	14.0~27.6	0.70	16.80	3000	220.85	6.25	0.52	128.57	51.0	740.0
DC17251#24L	B	24	14.0~27.6	0.50	12.00	2500	185.24	5.25	0.37	92.77	44.0	740.0
DC17251#48U	B	48	28.0~56.0	0.80	38.40	4000	305.29	8.65	1.14	283.51	67.0	740.0
DC17251#48H	B	48	28.0~56.0	0.60	28.80	3500	257.88	7.30	0.71	176.81	59.0	740.0
DC17251#48M	B	48	28.0~56.0	0.50	24.00	3000	220.85	6.25	0.52	128.57	51.0	740.0
DC17251#48L	B	48	28.0~56.0	0.40	19.20	2500	185.24	5.25	0.37	92.77	44.0	740.0

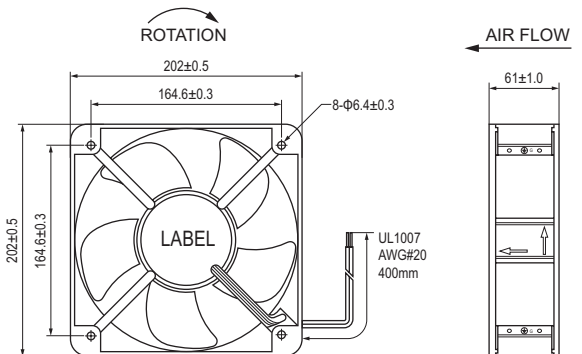
### DC20060

Size: 202×202×61mm



### General Specification

Frame / Impeller: Plastic  
 Lead Wire: AWG#20 or  
 Equivalent (+)Red, (-)Black  
 Ball Bearing 50,000Hrs(40°C)  
 Sleeve Bearing 30,000Hrs(40°C)  
 Operating temperature: -10°C~+70°C  
 Storage temperature: -40°C~+70°C



Model Number	# Bearing Type	Rated Voltage (VDC)	Operating Voltage (VDC)	Input Current (A)	Input Power (W)	Speed (RPM)	Max Air Volum		Max Static Pressure		Noise (dB-A)	Weight (g)
							(CFM)	m <sup>3</sup> /min	Inch-H <sub>2</sub> O	Pa		
DC20060#12H	B	12	7.0~13.8	3.50	42.00	3000	640.00	18.13	0.97	241.62	68.0	1031.0
DC20060#12M	B	12	7.0~13.8	2.80	33.60	2500	532.00	15.07	0.74	184.33	58.0	1031.0
DC20060#12L	B	12	7.0~13.8	2.00	24.00	2000	490.00	13.88	0.61	151.94	50.0	1031.0
DC20060#24H	B	24	14.0~27.6	2.50	60.00	3000	640.00	18.13	0.97	241.62	68.0	1031.0
DC20060#24M	B	24	14.0~27.6	1.50	36.00	2500	532.00	15.07	0.74	184.33	58.0	1031.0
DC20060#24L	B	24	14.0~27.6	1.00	24.00	2000	490.00	13.88	0.61	151.94	50.0	1031.0
DC20060#48H	B	48	28.0~56.0	1.20	57.60	3000	640.00	18.13	0.97	241.62	68.0	1031.0
DC20060#48M	B	48	28.0~56.0	0.80	38.40	2500	532.00	15.07	0.74	184.33	58.0	1031.0
DC20060#48L	B	48	28.0~56.0	0.50	24.00	2000	490.00	13.88	0.61	151.94	50.0	1031.0