

DC FAN

20mm~254mm



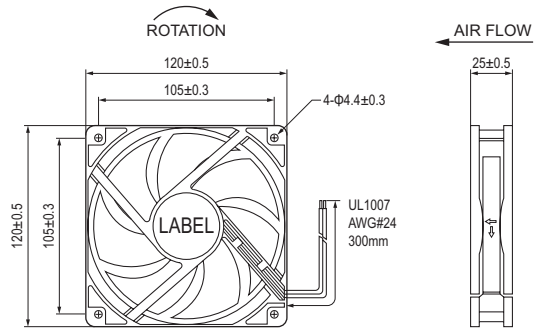
DC12025

Size: 120×120×25mm



General Specification

Frame / Impeller: Plastic
 Lead Wire: AWG#24 or
 Equivalent (+)Red, (-)Black
 Ball Bearing 50,000Hrs(40°C)
 Sleeve Bearing 30,000Hrs(40°C)
 Operating temperature: -10°C~+70°C
 Storage temperature: -40°C~+70°C



Model Number	# Bearing Type	Rated Voltage (VDC)	Operating Voltage (VDC)	Input Current (A)	Input Power (W)	Speed (RPM)	Max Air Volum		Max Static Pressure		Noise (dB-A)	Weight (g)
							(CFM)	m ³ /min	Inch-H ₂ O	Pa		
DC12025#12U	B.S	12	7.0~13.8	0.80	9.60	3500	122.12	3.46	0.31	77.47	49.0	140.0
DC12025#12H	B.S	12	7.0~13.8	0.50	6.00	3000	103.92	2.94	0.24	60.51	44.0	140.0
DC12025#12M	B.S	12	7.0~13.8	0.40	4.80	2500	86.65	2.45	0.18	44.03	39.0	140.0
DC12025#12L	B.S	12	7.0~13.8	0.20	2.40	2000	67.01	1.90	0.10	26.09	35.0	140.0
DC12025#24U	B.S	24	14.0~27.6	0.50	12.00	3500	122.12	3.46	0.31	77.47	49.0	140.0
DC12025#24H	B.S	24	14.0~27.6	0.40	9.60	3000	103.92	2.94	0.24	60.51	44.0	140.0
DC12025#24M	B.S	24	14.0~27.6	0.25	6.00	2500	86.65	2.45	0.18	44.03	39.0	140.0
DC12025#24L	B.S	24	14.0~27.6	0.15	3.60	2000	67.01	1.90	0.10	26.09	35.0	140.0
DC12025#48U	B.S	48	28.0~56.0	0.40	19.20	3500	122.12	3.46	0.31	77.47	49.0	140.0
DC12025#48H	B.S	48	28.0~56.0	0.30	14.40	3000	103.92	2.94	0.24	60.51	44.0	140.0
DC12025#48M	B.S	48	28.0~56.0	0.20	9.60	2500	86.65	2.45	0.18	44.03	39.0	140.0
DC12025#48L	B.S	48	28.0~56.0	0.10	4.80	2000	67.01	1.90	0.10	26.09	35.0	140.0

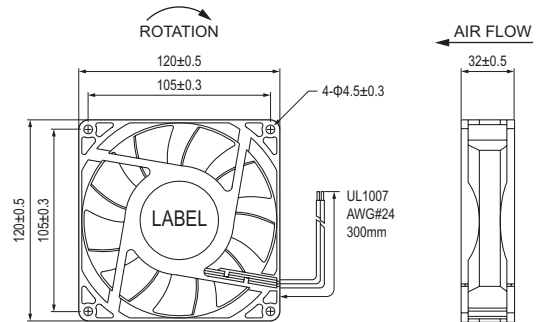
DC12032

Size: 120×120×32mm



General Specification

Frame / Impeller: Plastic
 Lead Wire: AWG#24 or
 Equivalent (+)Red, (-)Black
 Ball Bearing 50,000Hrs(40°C)
 Sleeve Bearing 30,000Hrs(40°C)
 Operating temperature: -10°C~+70°C
 Storage temperature: -40°C~+70°C



Model Number	# Bearing Type	Rated Voltage (VDC)	Operating Voltage (VDC)	Input Current (A)	Input Power (W)	Speed (RPM)	Max Air Volum		Max Static Pressure		Noise (dB-A)	Weight (g)
							(CFM)	m ³ /min	Inch-H ₂ O	Pa		
DC12032#12U	B	12	7.0~13.8	2.00	24.00	3500	158.22	4.48	0.51	127.39	50.0	237.0
DC12032#12H	B	12	7.0~13.8	1.00	12.00	3000	134.90	3.82	0.38	95.12	46.0	237.0
DC12032#12M	B	12	7.0~13.8	0.80	9.60	2500	110.90	3.14	0.26	64.92	40.0	237.0
DC12032#12L	B	12	7.0~13.8	0.50	6.00	2000	91.15	2.58	0.18	45.60	33.0	237.0
DC12032#24U	B	24	14.0~27.6	1.00	24.00	3500	158.22	4.48	0.51	127.39	50.0	237.0
DC12032#24H	B	24	14.0~27.6	0.70	16.80	3000	134.90	3.82	0.38	95.12	46.0	237.0
DC12032#24M	B	24	14.0~27.6	0.50	12.00	2500	110.90	3.14	0.26	64.92	40.0	237.0
DC12032#24L	B	24	14.0~27.6	0.30	7.20	2000	91.15	2.58	0.18	45.60	33.0	237.0
DC12032#48U	B	48	28.0~56.0	0.60	28.80	3500	158.22	4.48	0.51	127.39	50.0	237.0
DC12032#48H	B	48	28.0~56.0	0.45	21.60	3000	134.90	3.82	0.38	95.12	46.0	237.0
DC12032#48M	B	48	28.0~56.0	0.25	12.00	2500	110.90	3.14	0.26	64.92	40.0	237.0
DC12032#48L	B	48	28.0~56.0	0.15	7.20	2000	91.15	2.58	0.18	45.60	33.0	237.0