

DC FAN

20mm~254mm



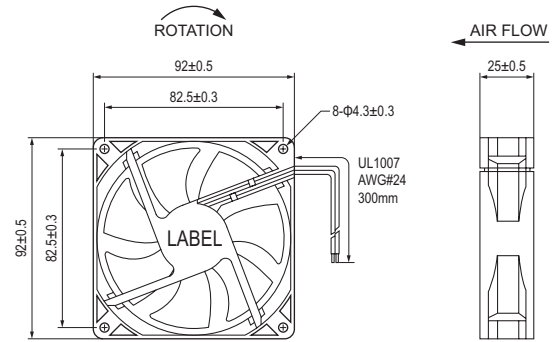
DC9225

Size: 92×92×25mm



General Specification

Frame / Impeller: Plastic
 Lead Wire: AWG#24 or
 Equivalent (+)Red, (-)Black
 Ball Bearing 50,000Hrs(40°C)
 Sleeve Bearing 30,000Hrs(40°C)
 Operating temperature: -10°C~+70°C
 Storage temperature: -40°C~+70°C



Model Number	# Bearing Type	Rated Voltage (VDC)	Operating Voltage (VDC)	Input Current (A)	Input Power (W)	Speed (RPM)	Max Air Volum		Max Static Pressure		Noise (dB-A)	Weight (g)
							(CFM)	m ³ /min	Inch-H ₂ O	Pa		
DC9225#12U	B.S	12	7.0~13.8	0.60	7.20	4000	63.73	1.80	0.22	55.80	47.0	78.0
DC9225#12H	B.S	12	7.0~13.8	0.50	6.00	3500	54.98	1.56	0.18	43.74	41.0	78.0
DC9225#12M	B.S	12	7.0~13.8	0.40	4.80	3000	46.23	1.31	0.13	31.66	37.0	78.0
DC9225#12L	B.S	12	7.0~13.8	0.30	3.60	2500	37.93	1.07	0.09	22.95	31.0	78.0
DC9225#12D	B.S	12	7.0~13.8	0.20	2.40	2000	30.96	0.88	0.06	16.18	25.0	78.0
DC9225#24U	B.S	24	14.0~27.6	0.50	12.00	4000	63.73	1.80	0.22	55.80	47.0	78.0
DC9225#24H	B.S	24	14.0~27.6	0.40	9.60	3500	54.98	1.56	0.18	43.74	41.0	78.0
DC9225#24M	B.S	24	14.0~27.6	0.30	7.20	3000	46.23	1.31	0.13	31.66	37.0	78.0
DC9225#24L	B.S	24	14.0~27.6	0.20	4.80	2500	37.93	1.07	0.09	22.95	31.0	78.0
DC9225#24D	B.S	24	14.0~27.6	0.15	3.60	2000	30.96	0.88	0.06	16.18	25.0	78.0
DC9225#48U	B.S	48	28.0~56.0	0.40	19.20	4000	63.73	1.80	0.22	55.80	47.0	78.0
DC9225#48H	B.S	48	28.0~56.0	0.25	12.00	3500	54.98	1.56	0.18	43.74	41.0	78.0
DC9225#48M	B.S	48	28.0~56.0	0.20	9.60	3000	46.23	1.31	0.13	31.66	37.0	78.0
DC9225#48L	B.S	48	28.0~56.0	0.15	7.20	2500	37.93	1.07	0.09	22.95	31.0	78.0

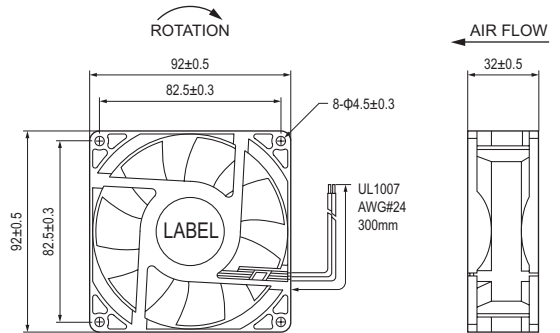
DC9232

Size: 92×92×32mm



General Specification

Frame / Impeller: Plastic
 Lead Wire: AWG#24 or
 Equivalent (+)Red, (-)Black
 Ball Bearing 50,000Hrs(40°C)
 Sleeve Bearing 30,000Hrs(40°C)
 Operating temperature: -10°C~+70°C
 Storage temperature: -40°C~+70°C



Model Number	# Bearing Type	Rated Voltage (VDC)	Operating Voltage (VDC)	Input Current (A)	Input Power (W)	Speed (RPM)	Max Air Volum		Max Static Pressure		Noise (dB-A)	Weight (g)
							(CFM)	m ³ /min	Inch-H ₂ O	Pa		
DC9232#12U	B.S	12	7.0~13.8	2.50	30.00	6000	123.72	3.50	0.93	231.44	59.0	150.0
DC9232#12H	B.S	12	7.0~13.8	1.80	21.60	5500	113.08	3.20	0.76	189.66	55.0	150.0
DC9232#12M	B.S	12	7.0~13.8	1.20	14.40	5000	105.67	2.99	0.69	171.13	52.0	150.0
DC9232#12L	B.S	12	7.0~13.8	0.90	10.80	4500	92.01	2.61	0.53	132.00	49.0	150.0
DC9232#24U	B.S	24	14.0~27.6	1.50	36.00	6000	123.72	3.50	0.93	231.44	59.0	150.0
DC9232#24H	B.S	24	14.0~27.6	1.00	24.00	5500	113.08	3.20	0.76	189.66	55.0	150.0
DC9232#24M	B.S	24	14.0~27.6	0.80	19.20	5000	105.67	2.99	0.69	171.13	52.0	150.0
DC9232#24L	B.S	24	14.0~27.6	0.60	14.40	4500	92.01	2.61	0.53	132.00	49.0	150.0
DC9232#48U	B.S	48	28.0~56.0	0.80	38.40	6000	123.72	3.50	0.93	231.44	59.0	150.0
DC9232#48H	B.S	48	28.0~56.0	0.50	24.00	5500	113.08	3.20	0.76	189.66	55.0	150.0
DC9232#48M	B.S	48	28.0~56.0	0.40	19.20	5000	105.67	2.99	0.69	171.13	52.0	150.0
DC9232#48L	B.S	48	28.0~56.0	0.30	14.40	4500	92.01	2.61	0.53	132.00	49.0	150.0