

## DC FAN

20mm~254mm



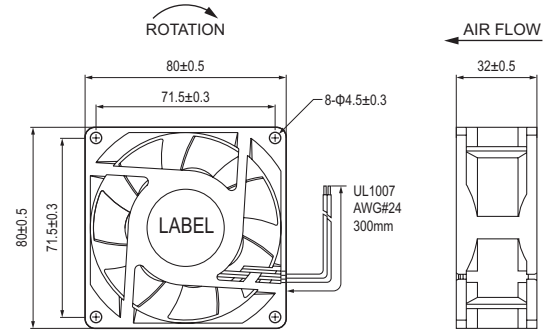
### DC8032

Size: 80×80×32mm



#### General Specification

Frame / Impeller: Plastic  
 Lead Wire: AWG#24 or  
 Equivalent (+)Red, (-)Black  
 Ball Bearing 50,000Hrs(40°C)  
 Sleeve Bearing 30,000Hrs(40°C)  
 Operating temperature: -10°C~+70°C  
 Storage temperature: -40°C~+70°C



Model Number	# Bearing Type	Rated Voltage (VDC)	Operating Voltage (VDC)	Input Current (A)	Input Power (W)	Speed (RPM)	Max Air Volum		Max Static Pressure		Noise (dB-A)	Weight (g)
							(CFM)	m <sup>3</sup> /min	Inch-H <sub>2</sub> O	Pa		
DC8032#12U	B.S	12	7.0~13.8	1.50	18.00	6500	79.70	2.26	0.84	208.39	51.0	95.0
DC8032#12H	B.S	12	7.0~13.8	0.90	10.80	5500	67.37	1.91	0.58	144.45	45.0	95.0
DC8032#12M	B.S	12	7.0~13.8	0.60	7.20	4500	54.99	1.56	0.41	101.89	40.0	95.0
DC8032#12L	B.S	12	7.0~13.8	0.40	4.80	3500	43.01	1.22	0.25	62.66	34.0	95.0
DC8032#24U	B.S	24	14.0~27.6	0.80	19.20	6500	79.70	2.26	0.84	208.39	51.0	95.0
DC8032#24H	B.S	24	14.0~27.6	0.50	12.00	5500	67.37	1.91	0.58	144.45	45.0	95.0
DC8032#24M	B.S	24	14.0~27.6	0.30	7.20	4500	54.99	1.56	0.41	101.89	40.0	95.0
DC8032#24L	B.S	24	14.0~27.6	0.20	4.80	3500	43.01	1.22	0.25	62.66	34.0	95.0
DC8032#48U	B.S	48	28.0~56.0	0.50	24.00	6500	79.70	2.26	0.84	208.39	51.0	95.0
DC8032#48H	B.S	48	28.0~56.0	0.30	14.40	5500	67.37	1.91	0.58	144.45	45.0	95.0
DC8032#48M	B.S	48	28.0~56.0	0.20	9.60	4500	54.99	1.56	0.41	101.89	40.0	95.0
DC8032#48L	B.S	48	28.0~56.0	0.10	4.80	3500	43.01	1.22	0.25	62.66	34.0	95.0

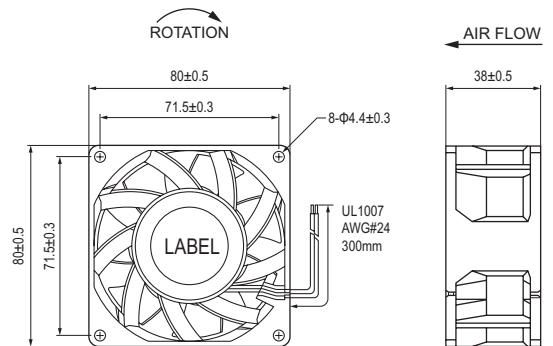
### DC8038

Size: 80×80×38mm



#### General Specification

Frame / Impeller: Plastic  
 Lead Wire: AWG#24 or  
 Equivalent (+)Red, (-)Black  
 Ball Bearing 50,000Hrs(40°C)  
 Sleeve Bearing 30,000Hrs(40°C)  
 Operating temperature: -10°C~+70°C  
 Storage temperature: -40°C~+70°C



Model Number	# Bearing Type	Rated Voltage (VDC)	Operating Voltage (VDC)	Input Current (A)	Input Power (W)	Speed (RPM)	Max Air Volum		Max Static Pressure		Noise (dB-A)	Weight (g)
							(CFM)	m <sup>3</sup> /min	Inch-H <sub>2</sub> O	Pa		
DC8038#12U	B	12	7.0~13.8	1.50	18.00	6500	90.60	2.57	0.99	245.56	59.0	153.0
DC8038#12H	B	12	7.0~13.8	0.90	10.80	5500	74.46	2.11	0.68	168.48	53.0	153.0
DC8038#12M	B	12	7.0~13.8	0.60	7.20	4500	60.08	1.70	0.46	114.74	47.0	153.0
DC8038#12L	B	12	7.0~13.8	0.40	4.80	3500	45.11	1.28	0.26	65.70	43.0	153.0
DC8038#24U	B	24	14.0~27.6	0.80	19.20	6500	90.60	2.57	0.99	245.56	59.0	153.0
DC8038#24H	B	24	14.0~27.6	0.50	12.00	5500	74.46	2.11	0.68	168.48	53.0	153.0
DC8038#24M	B	24	14.0~27.6	0.30	7.20	4500	60.08	1.70	0.46	114.74	47.0	153.0
DC8038#24L	B	24	14.0~27.6	0.20	4.80	3500	45.11	1.28	0.26	65.70	43.0	153.0
DC8038#48U	B	48	28.0~56.0	0.50	24.00	6500	90.60	2.57	0.99	245.56	59.0	153.0
DC8038#48H	B	48	28.0~56.0	0.30	14.40	5500	74.46	2.11	0.68	168.48	53.0	153.0
DC8038#48M	B	48	28.0~56.0	0.20	9.60	4500	60.08	1.70	0.46	114.74	47.0	153.0
DC8038#48L	B	48	28.0~56.0	0.10	4.80	3500	45.11	1.28	0.26	65.70	43.0	153.0