

DC FAN

20mm~254mm



DC8020

Size: 80×80×20mm



General Specification

Frame / Impeller: Plastic

Lead Wire: AWG#24 or

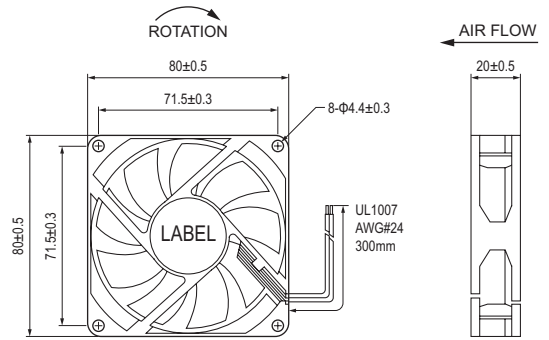
Equivalent (+)Red, (-)Black

Ball Bearing 50,000Hrs(40°C)

Sleeve Bearing 30,000Hrs(40°C)

Operating temperature: -10°C~+70°C

Storage temperature: -40°C~+70°C



Model Number	# Bearing Type	Rated Voltage (VDC)	Operating Voltage (VDC)	Input Current (A)	Input Power (W)	Speed (RPM)	Max Air Volum		Max Static Pressure		Noise (dB-A)	Weight (g)
							(CFM)	m ³ /min	Inch-H ₂ O	Pa		
DC8020#12U	B.S	12	7.0~13.8	0.35	4.20	3500	40.31	1.14	0.14	34.52	35.0	58.0
DC8020#12H	B.S	12	7.0~13.8	0.25	3.00	3000	35.09	0.99	0.11	26.67	31.0	58.0
DC8020#12M	B.S	12	7.0~13.8	0.18	2.16	2500	30.72	0.87	0.08	21.08	25.0	58.0
DC8020#12L	B.S	12	7.0~13.8	0.13	1.56	2000	25.44	0.72	0.06	15.10	22.0	58.0
DC8020#24U	B.S	24	14.0~27.6	0.18	4.32	3500	40.31	1.14	0.14	34.52	35.0	58.0
DC8020#24H	B.S	24	14.0~27.6	0.14	3.36	3000	35.09	0.99	0.11	26.67	31.0	58.0
DC8020#24M	B.S	24	14.0~27.6	0.10	2.40	2500	30.72	0.87	0.08	21.08	25.0	58.0
DC8020#24L	B.S	24	14.0~27.6	0.07	1.68	2000	25.44	0.72	0.06	15.10	22.0	58.0
DC8020#48U	B.S	48	28.0~56.0	0.08	3.84	3500	40.31	1.14	0.14	34.52	35.0	58.0
DC8020#48H	B.S	48	28.0~56.0	0.05	2.40	3000	35.09	0.99	0.11	26.67	31.0	58.0
DC8020#48M	B.S	48	28.0~56.0	0.04	1.92	2500	30.72	0.87	0.08	21.08	25.0	58.0
DC8020#48L	B.S	48	28.0~56.0	0.02	0.96	2000	25.44	0.72	0.06	15.10	22.0	58.0

DC8025

Size: 80×80×25mm



General Specification

Frame / Impeller: Plastic

Lead Wire: AWG#24 or

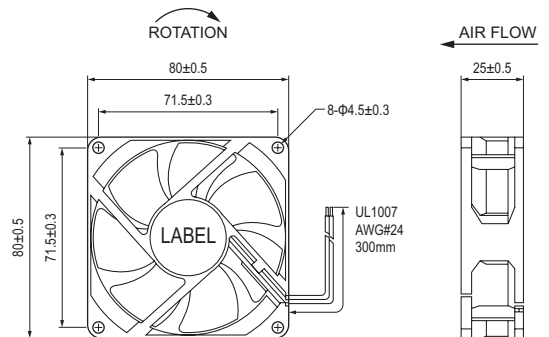
Equivalent (+)Red, (-)Black

Ball Bearing 50,000Hrs(40°C)

Sleeve Bearing 30,000Hrs(40°C)

Operating temperature: -10°C~+70°C

Storage temperature: -40°C~+70°C



Model Number	# Bearing Type	Rated Voltage (VDC)	Operating Voltage (VDC)	Input Current (A)	Input Power (W)	Speed (RPM)	Max Air Volum		Max Static Pressure		Noise (dB-A)	Weight (g)
							(CFM)	m ³ /min	Inch-H ₂ O	Pa		
DC8025#12U	B.S	12	7.0~13.8	0.50	6.00	4000	54.14	1.53	0.25	62.37	40.0	58.0
DC8025#12H	B.S	12	7.0~13.8	0.40	4.80	3500	50.35	1.43	0.22	54.82	36.0	58.0
DC8025#12M	B.S	12	7.0~13.8	0.30	3.60	3000	39.98	1.13	0.14	34.81	31.0	58.0
DC8025#12L	B.S	12	7.0~13.8	0.20	2.40	2500	35.87	1.01	0.11	27.65	25.0	58.0
DC8025#12D	B.S	12	7.0~13.8	0.10	1.20	2000	27.39	0.78	0.07	18.14	22.0	58.0
DC8025#24U	B.S	24	14.0~27.6	0.40	9.60	4000	54.14	1.53	0.25	62.37	40.0	58.0
DC8025#24H	B.S	24	14.0~27.6	0.30	7.20	3500	50.35	1.43	0.22	54.82	36.0	58.0
DC8025#24M	B.S	24	14.0~27.6	0.20	4.80	3000	39.98	1.13	0.14	34.81	31.0	58.0
DC8025#24L	B.S	24	14.0~27.6	0.15	3.60	2500	35.87	1.01	0.11	27.65	25.0	58.0
DC8025#24D	B.S	24	14.0~27.6	0.10	2.40	2000	27.39	0.78	0.07	18.14	22.0	58.0
DC8025#48U	B.S	48	28.0~56.0	0.30	14.40	4000	54.14	1.53	0.25	62.37	40.0	58.0
DC8025#48H	B.S	48	28.0~56.0	0.25	12.00	3500	50.35	1.43	0.22	54.82	36.0	58.0
DC8025#48M	B.S	48	28.0~56.0	0.20	9.60	3000	39.98	1.13	0.14	34.81	31.0	58.0
DC8025#48L	B.S	48	28.0~56.0	0.15	7.20	2500	35.87	1.01	0.11	27.65	25.0	58.0