

## DC FAN

20mm~254mm



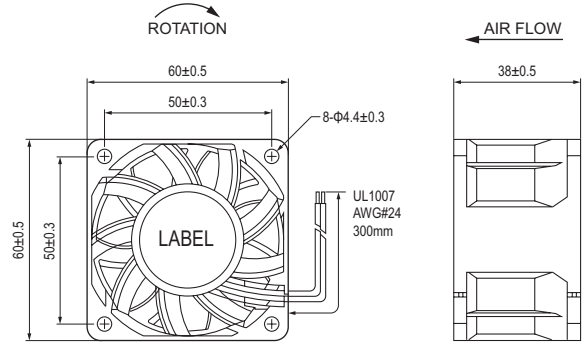
### DC6038

Size: 60×60×38mm



### General Specification

Frame / Impeller: Plastic  
 Lead Wire: AWG#24 or  
 Equivalent (+)Red, (-)Black  
 Ball Bearing 50,000Hrs(40°C)  
 Sleeve Bearing 30,000Hrs(40°C)  
 Operating temperature: -10°C~+70°C  
 Storage temperature: -40°C~+70°C



Model Number	# Bearing Type	Rated Voltage (VDC)	Operating Voltage (VDC)	Input Current (A)	Input Power (W)	Speed (RPM)	Max Air Volum		Max Static Pressure		Noise (dB-A)	Weight (g)
							(CFM)	m <sup>3</sup> /min	Inch-H <sub>2</sub> O	Pa		
DC6038#12H	B	12	7.0~13.8	1.00	12.00	9000	49.91	1.41	0.90	224.67	60.0	85.0
DC6038#12M	B	12	7.0~13.8	0.70	8.40	8000	44.52	1.26	0.74	183.19	55.0	85.0
DC6038#12L	B	12	7.0~13.8	0.50	6.00	7000	39.02	1.11	0.57	141.90	51.0	85.0
DC6038#12D	B	12	7.0~13.8	0.40	4.80	6000	33.51	0.95	0.43	106.50	47.0	85.0
DC6038#24U	B	24	14.0~27.6	0.65	15.60	10000	56.68	1.61	1.15	286.06	65.0	85.0
DC6038#24H	B	24	14.0~27.6	0.50	12.00	9000	49.91	1.41	0.90	224.67	60.0	85.0
DC6038#24M	B	24	14.0~27.6	0.35	8.40	8000	44.52	1.26	0.74	183.19	55.0	85.0
DC6038#24L	B	24	14.0~27.6	0.30	7.20	7000	39.02	1.11	0.57	141.90	51.0	85.0
DC6038#24D	B	24	14.0~27.6	0.25	6.00	6000	33.51	0.95	0.43	106.50	47.0	85.0
DC6038#48U	B	48	28.0~56.0	0.35	16.80	10000	56.68	1.61	1.15	286.06	65.0	85.0
DC6038#48H	B	48	28.0~56.0	0.30	14.40	9000	49.91	1.41	0.90	224.67	60.0	85.0
DC6038#48M	B	48	28.0~56.0	0.25	12.00	8000	44.52	1.26	0.74	183.19	55.0	85.0
DC6038#48L	B	48	28.0~56.0	0.20	9.60	7000	39.02	1.11	0.57	141.90	51.0	85.0
DC6038#48D	B	48	28.0~56.0	0.15	7.20	6000	33.51	0.95	0.43	106.50	47.0	85.0

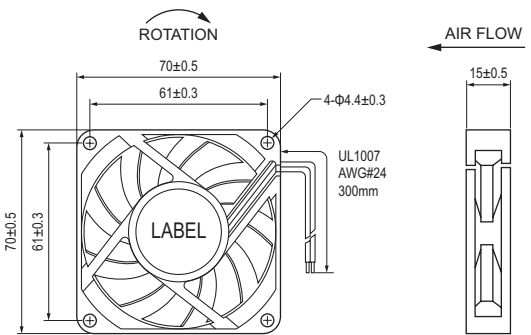
### DC7015

Size: 70×70×15mm



### General Specification

Frame / Impeller: Plastic  
 Lead Wire: AWG#24 or  
 Equivalent (+)Red, (-)Black  
 Ball Bearing 50,000Hrs(40°C)  
 Sleeve Bearing 30,000Hrs(40°C)  
 Operating temperature: -10°C~+70°C  
 Storage temperature: -40°C~+70°C



Model Number	# Bearing Type	Rated Voltage (VDC)	Operating Voltage (VDC)	Input Current (A)	Input Power (W)	Speed (RPM)	Max Air Volum		Max Static Pressure		Noise (dB-A)	Weight (g)
							(CFM)	m <sup>3</sup> /min	Inch-H <sub>2</sub> O	Pa		
DC7015#12U	B.S	12	7.0~13.8	0.45	5.40	4500	34.95	0.99	0.21	51.98	41.0	48.0
DC7015#12H	B.S	12	7.0~13.8	0.40	4.80	4000	31.28	0.89	0.16	40.99	36.0	48.0
DC7015#12M	B.S	12	7.0~13.8	0.30	3.60	3500	28.48	0.81	0.14	34.72	33.0	48.0
DC7015#12L	B.S	12	7.0~13.8	0.20	2.40	3000	23.95	0.68	0.10	25.20	28.0	48.0
DC7015#12D	B.S	12	7.0~13.8	0.15	1.80	2500	17.45	0.49	0.05	13.53	26.0	48.0
DC7015#24U	B.S	24	14.0~27.6	0.30	7.20	4500	34.95	0.99	0.21	51.98	41.0	48.0
DC7015#24H	B.S	24	14.0~27.6	0.28	6.72	4000	31.28	0.89	0.16	40.99	36.0	48.0
DC7015#24M	B.S	24	14.0~27.6	0.25	6.00	3500	28.48	0.81	0.14	34.72	33.0	48.0
DC7015#24L	B.S	24	14.0~27.6	0.20	4.80	3000	23.95	0.68	0.10	25.20	28.0	48.0
DC7015#24D	B.S	24	14.0~27.6	0.15	3.60	2500	17.45	0.49	0.05	13.53	26.0	48.0