

DC FAN

20mm~254mm



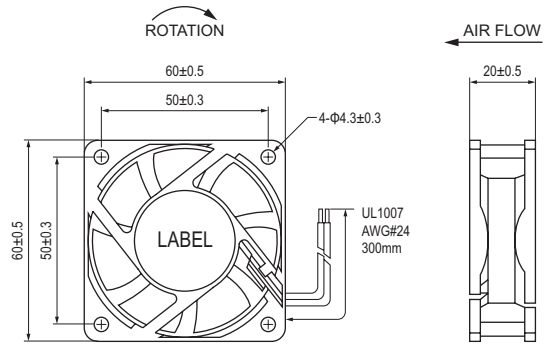
DC6020

Size: 60×60×20mm



General Specification

Frame / Impeller: Plastic
 Lead Wire: AWG#24 or
 Equivalent (+)Red, (-)Black
 Ball Bearing 50,000Hrs(40°C)
 Sleeve Bearing 30,000Hrs(40°C)
 Operating temperature: -10°C~+70°C
 Storage temperature: -40°C~+70°C



Model Number	# Bearing Type	Rated Voltage (VDC)	Operating Voltage (VDC)	Input Current (A)	Input Power (W)	Speed (RPM)	Max Air Volum		Max Static Pressure		Noise (dB-A)	Weight (g)
							(CFM)	m ³ /min	Inch-H ₂ O	Pa		
DC6020#12U	B.S	12	7.0~13.8	0.25	3.00	5000	23.16	0.66	0.24	58.94	34.0	52.0
DC6020#12H	B.S	12	7.0~13.8	0.20	2.40	4500	21.40	0.61	0.20	48.94	31.0	52.0
DC6020#12M	B.S	12	7.0~13.8	0.16	1.92	4000	18.74	0.53	0.16	38.83	28.0	52.0
DC6020#12L	B.S	12	7.0~13.8	0.12	1.44	3500	16.38	0.46	0.12	29.52	25.0	52.0
DC6020#12D	B.S	12	7.0~13.8	0.10	1.20	3000	13.80	0.39	0.09	22.26	23.0	52.0
DC6020#24U	B.S	24	14.0~27.6	0.16	3.84	5000	23.16	0.66	0.24	58.94	34.0	52.0
DC6020#24H	B.S	24	14.0~27.6	0.14	3.36	4500	21.40	0.61	0.20	48.94	31.0	52.0
DC6020#24M	B.S	24	14.0~27.6	0.12	2.88	4000	18.74	0.53	0.16	38.83	28.0	52.0
DC6020#24L	B.S	24	14.0~27.6	0.10	2.40	3500	16.38	0.46	0.12	29.52	25.0	52.0
DC6020#48U	B.S	48	28.0~56.0	0.08	3.84	5000	23.16	0.66	0.24	58.94	34.0	52.0
DC6020#48H	B.S	48	28.0~56.0	0.07	3.36	4500	21.40	0.61	0.20	48.94	31.0	52.0
DC6020#48M	B.S	48	28.0~56.0	0.06	2.88	4000	18.74	0.53	0.16	38.83	28.0	52.0
DC6020#48L	B.S	48	28.0~56.0	0.05	2.40	3500	16.38	0.46	0.12	29.52	25.0	52.0

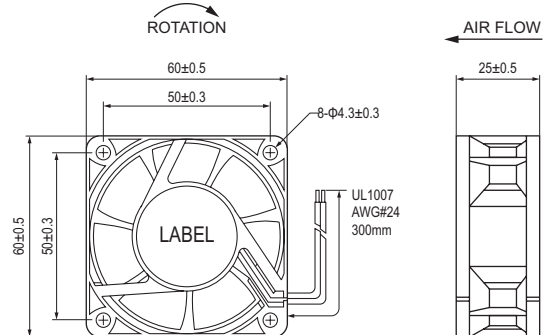
DC6025

Size: 60×60×25mm



General Specification

Frame / Impeller: Plastic
 Lead Wire: AWG#24 or
 Equivalent (+)Red, (-)Black
 Ball Bearing 50,000Hrs(40°C)
 Sleeve Bearing 30,000Hrs(40°C)
 Operating temperature: -10°C~+70°C
 Storage temperature: -40°C~+70°C



Model Number	# Bearing Type	Rated Voltage (VDC)	Operating Voltage (VDC)	Input Current (A)	Input Power (W)	Speed (RPM)	Max Air Volum		Max Static Pressure		Noise (dB-A)	Weight (g)
							(CFM)	m ³ /min	Inch-H ₂ O	Pa		
DC6025#12U	B.S	12	7.0~13.8	0.40	5.40	6000	29.43	0.83	0.37	91.40	45.0	56.0
DC6025#12H	B.S	12	7.0~13.8	0.25	3.00	5000	24.77	0.70	0.27	67.47	38.0	56.0
DC6025#12M	B.S	12	7.0~13.8	0.18	2.16	4000	19.15	0.54	0.17	42.56	32.0	56.0
DC6025#12L	B.S	12	7.0~13.8	0.10	1.20	3000	14.77	0.42	0.11	26.38	27.0	56.0
DC6025#12D	B.S	12	7.0~13.8	0.06	0.72	2000	9.20	0.26	0.04	10.49	23.0	56.0
DC6025#24U	B.S	24	14.0~27.6	0.25	6.00	6000	29.43	0.83	0.37	91.40	45.0	56.0
DC6025#24H	B.S	24	14.0~27.6	0.18	4.32	5000	24.77	0.70	0.27	67.47	38.0	56.0
DC6025#24M	B.S	24	14.0~27.6	0.15	3.60	4000	19.15	0.54	0.17	42.56	32.0	56.0
DC6025#24L	B.S	24	14.0~27.6	0.10	2.40	3000	14.77	0.42	0.11	26.38	27.0	56.0
DC6025#48U	B.S	48	28.0~56.0	0.18	8.64	6000	29.43	0.83	0.37	91.40	45.0	56.0
DC6025#48H	B.S	48	28.0~56.0	0.12	5.76	5000	24.77	0.70	0.27	67.47	38.0	56.0
DC6025#48M	B.S	48	28.0~56.0	0.08	3.84	4000	19.15	0.54	0.17	42.56	32.0	56.0
DC6025#48L	B.S	48	28.0~56.0	0.06	2.88	3000	14.77	0.42	0.11	26.38	27.0	56.0