

DC FAN

20mm~254mm



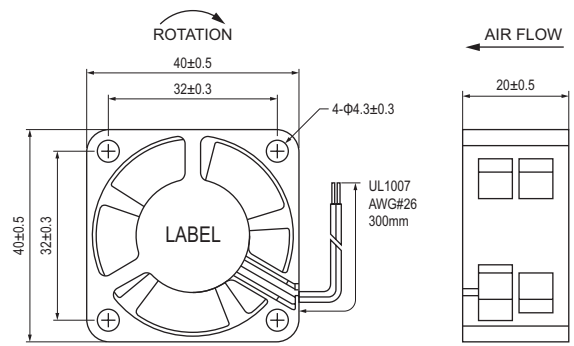
DC4020

Size: 40×40×20mm



General Specification

Frame / Impeller: Plastic
 Lead Wire: AWG#26 or
 Equivalent (+)Red, (-)Black
 Ball Bearing 50,000Hrs(40°C)
 Sleeve Bearing 30,000Hrs(40°C)
 Operating temperature: -10°C~+70°C
 Storage temperature: -40°C~+70°C



Model Number	# Bearing Type	Rated Voltage (VDC)	Operating Voltage (VDC)	Input Current (A)	Input Power (W)	Speed (RPM)	Max Air Volum		Max Static Pressure		Noise (dB-A)	Weight (g)
							(CFM)	m ³ /min	Inch-H ₂ O	Pa		
DC4020#05H	B.S	5	3.5~5.5	0.40	2.00	10000	10.79	0.31	0.43	106.40	38.0	24.0
DC4020#05M	B.S	5	3.5~5.5	0.25	1.25	8000	8.43	0.24	0.27	68.16	35.0	24.0
DC4020#05L	B.S	5	3.5~5.5	0.18	0.90	6000	6.47	0.18	0.16	39.72	27.0	24.0
DC4020#05D	B.S	5	3.5~5.5	0.10	0.50	4000	3.93	0.11	0.07	17.46	23.0	24.0
DC4020#12H	B.S	12	7.0~13.8	0.16	1.92	10000	10.79	0.31	0.43	106.40	38.0	24.0
DC4020#12M	B.S	12	7.0~13.8	0.13	1.56	8000	8.43	0.24	0.27	68.16	35.0	24.0
DC4020#12L	B.S	12	7.0~13.8	0.08	0.96	6000	6.47	0.18	0.16	39.72	27.0	24.0
DC4020#12D	B.S	12	7.0~13.8	0.05	0.60	4000	3.93	0.11	0.07	17.46	23.0	24.0
DC4020#24H	B.S	24	14.0~27.6	0.12	2.88	10000	10.79	0.31	0.43	106.40	38.0	24.0
DC4020#24M	B.S	24	14.0~27.6	0.08	1.92	8000	8.43	0.24	0.27	68.16	35.0	24.0
DC4020#24L	B.S	24	14.0~27.6	0.05	1.20	6000	6.47	0.18	0.16	39.72	27.0	24.0

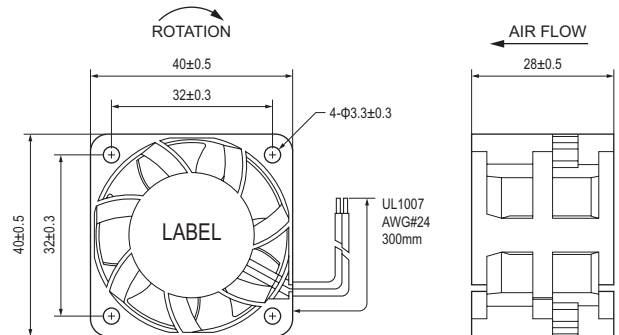
DC4028

Size: 40×40×28mm



General Specification

Frame / Impeller: Plastic
 Lead Wire: AWG#24 or
 Equivalent (+)Red, (-)Black
 Ball Bearing 50,000Hrs(40°C)
 Sleeve Bearing 30,000Hrs(40°C)
 Operating temperature: -10°C~+70°C
 Storage temperature: -40°C~+70°C



Model Number	# Bearing Type	Rated Voltage (VDC)	Operating Voltage (VDC)	Input Current (A)	Input Power (W)	Speed (RPM)	Max Air Volum		Max Static Pressure		Noise (dB-A)	Weight (g)
							(CFM)	m ³ /min	Inch-H ₂ O	Pa		
DC4028#12H	B	12	7.0~13.8	0.65	7.80	15000	21.45	0.61	0.98	244.77	58.0	40.0
DC4028#12M	B	12	7.0~13.8	0.45	5.40	13000	18.30	0.52	0.70	175.34	50.0	40.0
DC4028#12L	B	12	7.0~13.8	0.25	3.00	1000	13.40	0.38	0.42	105.42	42.0	40.0
DC4028#12D	B	12	7.0~13.8	0.17	2.04	8000	10.94	0.31	0.29	73.26	39.0	40.0
DC4028#24H	B	24	14.0~27.6	0.35	8.40	15000	21.45	0.61	0.98	244.77	58.0	40.0
DC4028#24M	B	24	14.0~27.6	0.25	6.00	13000	18.30	0.52	0.70	175.34	50.0	40.0
DC4028#24L	B	24	14.0~27.6	0.14	3.36	10000	13.40	0.38	0.42	105.42	42.0	40.0
DC4028#24D	B	24	14.0~27.6	0.11	2.64	8000	10.94	0.31	0.29	73.26	39.0	40.0