

DC FAN

20mm~254mm



DC5020

Size: 50×50×20mm



General Specification

Frame / Impeller: Plastic

Lead Wire: AWG#24 or

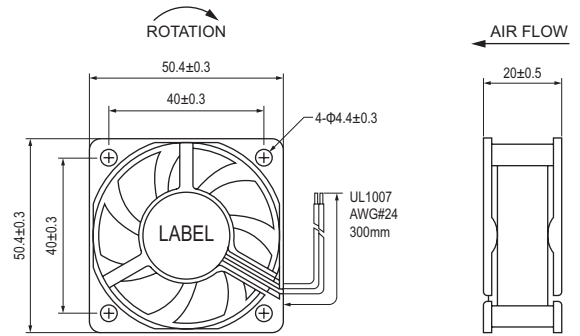
Equivalent (+)Red, (-)Black

Ball Bearing 50,000Hrs(40°C)

Sleeve Bearing 30,000Hrs(40°C)

Operating temperature: -10°C~+70°C

Storage temperature: -40°C~+70°C



Model Number	# Bearing Type	Rated Voltage (VDC)	Operating Voltage (VDC)	Input Current (A)	Input Power (W)	Speed (RPM)	Max Air Volum		Max Static Pressure		Noise (dB-A)	Weight (g)
							(CFM)	m ³ /min	Inch-H ₂ O	Pa		
DC5020#05M	B.S	5	3.5~5.5	0.42	2.10	5500	15.56	0.44	0.20	49.62	31.0	32.0
DC5020#05L	B.S	5	3.5~5.5	0.28	1.40	5000	14.98	0.42	0.17	42.86	29.0	32.0
DC5020#05D	B.S	5	3.5~5.5	0.20	1.00	4500	13.70	0.39	0.14	34.91	26.0	32.0
DC5020#12U	B.S	12	7.0~13.8	0.20	2.40	6500	19.44	0.55	0.29	72.77	36.0	32.0
DC5020#12H	B.S	12	7.0~13.8	0.18	2.16	6000	17.37	0.49	0.26	63.74	33.0	32.0
DC5020#12M	B.S	12	7.0~13.8	0.16	1.92	5500	15.56	0.44	0.20	49.62	31.0	32.0
DC5020#12L	B.S	12	7.0~13.8	0.14	1.68	5000	14.98	0.42	0.17	42.86	29.0	32.0
DC5020#12D	B.S	12	7.0~13.8	0.10	1.20	4500	13.70	0.39	0.14	34.91	26.0	32.0
DC5020#24U	B.S	24	14.0~27.6	0.14	3.36	6500	19.44	0.55	0.29	72.77	36.0	32.0
DC5020#24H	B.S	24	14.0~27.6	0.12	2.88	6000	17.37	0.49	0.26	63.74	33.0	32.0
DC5020#24M	B.S	24	14.0~27.6	0.10	2.40	5500	15.56	0.44	0.20	49.62	31.0	32.0
DC5020#24L	B.S	24	14.0~27.6	0.08	1.92	5000	14.98	0.42	0.17	42.86	29.0	32.0
DC5020#24D	B.S	24	14.0~27.6	0.06	1.44	4500	13.70	0.39	0.14	34.91	26.0	32.0

DC5025

Size: 50×50×25mm



General Specification

Frame / Impeller: Plastic

Lead Wire: AWG#24 or

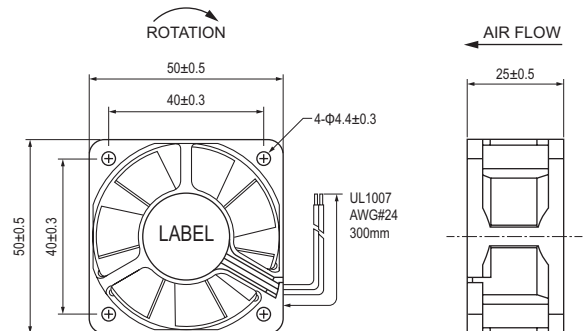
Equivalent (+)Red, (-)Black

Ball Bearing 50,000Hrs(40°C)

Sleeve Bearing 30,000Hrs(40°C)

Operating temperature: -10°C~+70°C

Storage temperature: -40°C~+70°C



Model Number	# Bearing Type	Rated Voltage (VDC)	Operating Voltage (VDC)	Input Current (A)	Input Power (W)	Speed (RPM)	Max Air Volum		Max Static Pressure		Noise (dB-A)	Weight (g)
							(CFM)	m ³ /min	Inch-H ₂ O	Pa		
DC5025#05L	B.S	5	3.5~5.5	0.24	1.20	4000	11.13	0.32	0.10	25.50	27.0	35.0
DC5025#05D	B.S	5	3.5~5.5	0.19	0.95	3000	7.50	0.21	0.06	14.81	23.0	35.0
DC4028#12H	B.S	12	7.0~13.8	0.22	2.64	6000	17.83	0.50	0.23	56.88	37.0	35.0
DC4028#12M	B.S	12	7.0~13.8	0.16	1.92	5000	14.43	0.41	0.16	40.31	31.0	35.0
DC4028#12L	B.S	12	7.0~13.8	0.12	1.44	4000	11.13	0.32	0.10	25.50	27.0	35.0
DC4028#12D	B.S	12	7.0~13.8	0.08	0.96	3000	7.50	0.21	0.06	14.81	23.0	35.0
DC4028#24H	B.S	24	14.0~27.6	0.17	4.08	6000	17.83	0.50	0.23	56.88	37.0	35.0
DC4028#24M	B.S	24	14.0~27.6	0.11	2.64	5000	14.43	0.41	0.16	40.31	31.0	35.0
DC4028#24L	B.S	24	14.0~27.6	0.09	2.16	4000	11.13	0.32	0.10	25.50	27.0	35.0