

DC FAN

20mm~254mm



DC3010

Size: 30×30×10mm



General Specification

Frame / Impeller: Plastic

Lead Wire: AWG#28 or

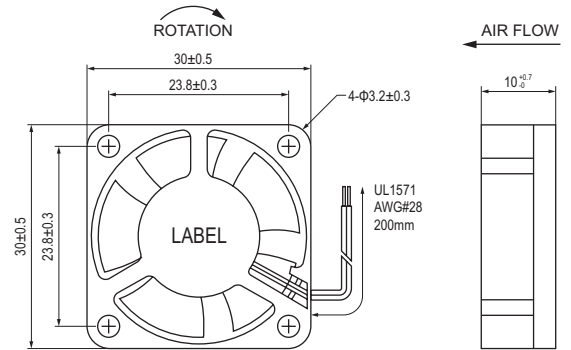
Equivalent (+)Red, (-)Black

Ball Bearing 50,000Hrs(40°C)

Sleeve Bearing 30,000Hrs(40°C)

Operating temperature: -10°C~+70°C

Storage temperature: -40°C~+70°C



Model Number	# Bearing Type	Rated Voltage (VDC)	Operating Voltage (VDC)	Input Current (A)	Input Power (W)	Speed (RPM)	Max Air Volum		Max Static Pressure		Noise (dB-A)	Weight (g)
							(CFM)	m ³ /min	Inch-H ₂ O	Pa		
DC3010#05U	B.S	5	3.5~5.5	0.28	1.40	12000	4.15	0.12	0.25	61.10	34.0	8.0
DC3010#05H	B.S	5	3.5~5.5	0.20	1.00	10000	3.38	0.10	0.17	41.58	29.0	8.0
DC3010#05M	B.S	5	3.5~5.5	0.15	0.75	8000	2.49	0.07	0.13	31.68	24.0	8.0
DC3010#05L	B.S	5	3.5~5.5	0.10	0.50	6000	2.01	0.06	0.07	16.87	21.0	8.0
DC3010#12U	B.S	12	7.0~13.8	0.12	1.44	12000	4.15	0.12	0.25	61.10	34.0	8.0
DC3010#12H	B.S	12	7.0~13.8	0.10	1.20	10000	3.38	0.10	0.17	41.58	29.0	8.0
DC3010#12M	B.S	12	7.0~13.8	0.08	0.96	8000	2.49	0.07	0.13	31.68	24.0	8.0
DC3010#12L	B.S	12	7.0~13.8	0.05	0.60	6000	2.01	0.06	0.07	16.87	21.0	8.0

DC3015

Size: 30×30×15mm



General Specification

Frame / Impeller: Plastic

Lead Wire: AWG#28 or

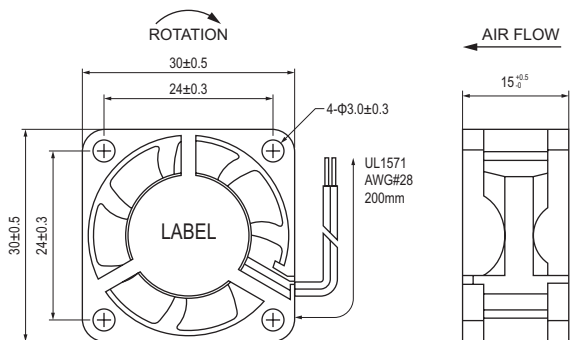
Equivalent (+)Red, (-)Black

Ball Bearing 50,000Hrs(40°C)

Sleeve Bearing 30,000Hrs(40°C)

Operating temperature: -10°C~+70°C

Storage temperature: -40°C~+70°C



Model Number	# Bearing Type	Rated Voltage (VDC)	Operating Voltage (VDC)	Input Current (A)	Input Power (W)	Speed (RPM)	Max Air Volum		Max Static Pressure		Noise (dB-A)	Weight (g)
							(CFM)	m ³ /min	Inch-H ₂ O	Pa		
DC3015#05H	B.S	5	3.5~5.5	0.25	1.25	10000	4.51	0.13	0.22	54.82	31.0	12.0
DC3015#05M	B.S	5	3.5~5.5	0.17	0.85	8000	3.33	0.09	0.13	31.38	25.0	12.0
DC3015#05L	B.S	5	3.5~5.5	0.12	0.60	6000	2.35	0.07	0.07	17.65	21.0	12.0
DC3015#12H	B.S	12	7.0~13.8	0.12	1.44	10000	4.51	0.13	0.22	54.82	31.0	12.0
DC3015#12M	B.S	12	7.0~13.8	0.09	1.08	8000	3.33	0.09	0.13	31.38	25.0	12.0
DC3015#12L	B.S	12	7.0~13.8	0.06	0.72	6000	2.35	0.07	0.07	17.65	21.0	12.0