

DC FAN

20mm~254mm



DC2510

Size: 25×25×10mm



General Specification

Frame / Impeller: Plastic

Lead Wire: AWG#28 or

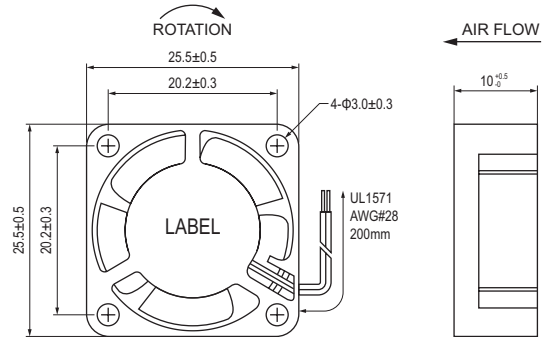
Equivalent (+)Red, (-)Black

Ball Bearing 50,000Hrs(40°C)

Sleeve Bearing 30,000Hrs(40°C)

Operating temperature: -10°C~+70°C

Storage temperature: -40°C~+70°C



Model Number	# Bearing Type	Rated Voltage (VDC)	Operating Voltage (VDC)	Input Current (A)	Input Power (W)	Speed (RPM)	Max Air Volum		Max Static Pressure		Noise (dB-A)	Weight (g)
							(CFM)	m ³ /min	Inch-H ₂ O	Pa		
DC2510#05U	B.S	5	3.5~5.5	0.20	1.00	12000	2.24	0.06	0.21	51.39	27.0	6.0
DC2510#05H	B.S	5	3.5~5.5	0.18	0.90	10000	1.91	0.05	0.16	39.42	25.0	6.0
DC2510#05M	B.S	5	3.5~5.5	0.14	0.70	8000	1.46	0.04	0.09	22.65	22.0	6.0
DC2510#05L	B.S	5	3.5~5.5	0.10	0.50	6000	1.00	0.03	0.05	13.44	18.0	6.0
DC2510#12U	B.S	12	7.0~13.8	0.10	1.20	12000	2.24	0.06	0.21	51.39	27.0	6.0
DC2510#12H	B.S	12	7.0~13.8	0.08	0.96	10000	1.91	0.05	0.16	39.42	25.0	6.0
DC2510#12M	B.S	12	7.0~13.8	0.06	0.72	8000	1.46	0.04	0.09	22.65	22.0	6.0
DC2510#05L	B.S	12	7.0~13.8	0.04	0.48	6000	1.00	0.03	0.05	13.44	18.0	6.0

DC3007

Size: 30×30×7mm



General Specification

Frame / Impeller: Plastic

Lead Wire: AWG#28 or

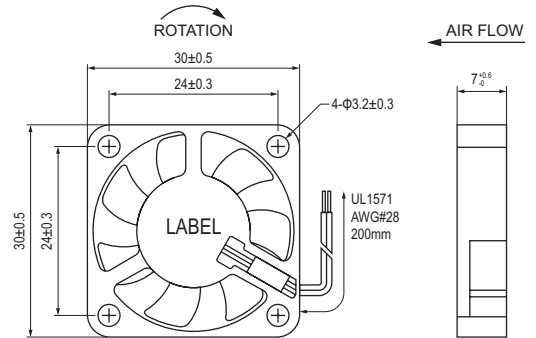
Equivalent (+)Red, (-)Black

Ball Bearing 50,000Hrs(40°C)

Sleeve Bearing 30,000Hrs(40°C)

Operating temperature: -10°C~+70°C

Storage temperature: -40°C~+70°C



Model Number	# Bearing Type	Rated Voltage (VDC)	Operating Voltage (VDC)	Input Current (A)	Input Power (W)	Speed (RPM)	Max Air Volum		Max Static Pressure		Noise (dB-A)	Weight (g)
							(CFM)	m ³ /min	Inch-H ₂ O	Pa		
DC3007#05U	B.S	5	3.5~5.5	0.22	1.10	12000	4.07	0.12	0.20	48.94	35.0	6.0
DC3007#05H	B.S	5	3.5~5.5	0.18	0.90	10000	3.34	0.09	0.14	35.60	31.0	6.0
DC3007#05M	B.S	5	3.5~5.5	0.14	0.70	8000	2.48	0.07	0.10	23.93	26.0	6.0
DC3007#05L	B.S	5	3.5~5.5	0.10	0.50	6000	1.57	0.04	0.05	11.67	22.0	6.0
DC3007#12U	B.S	12	7.0~13.8	0.12	1.44	12000	4.07	0.12	0.20	48.94	35.0	6.0
DC3007#12H	B.S	12	7.0~13.8	0.09	1.08	10000	3.34	0.09	0.14	35.60	31.0	6.0
DC3007#12M	B.S	12	7.0~13.8	0.07	0.84	8000	2.48	0.07	0.10	23.93	26.0	6.0
DC3007#12L	B.S	12	7.0~13.8	0.05	0.60	6000	1.57	0.04	0.05	11.67	22.0	6.0