

DC FAN

20mm~254mm



DC2010

Size: 20×20×10mm



General Specification

Frame / Impeller: Plastic

Lead Wire: AWG#28 or

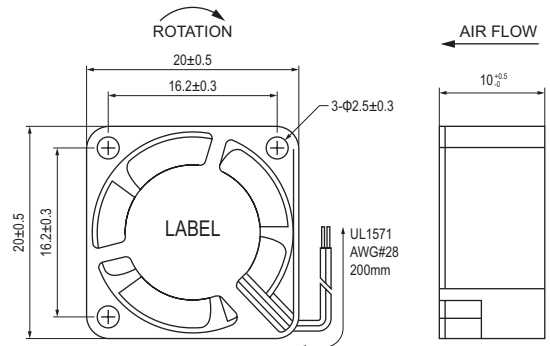
Equivalent (+)Red, (-)Black

Ball Bearing 50,000Hrs(40°C)

Sleeve Bearing 30,000Hrs(40°C)

Operating temperature: -10°C~+70°C

Storage temperature: -40°C~+70°C



Model Number	# Bearing Type	Rated Voltage (VDC)	Operating Voltage (VDC)	Input Current (A)	Input Power (W)	Speed (RPM)	Max Air Volum		Max Static Pressure		Noise (dB-A)	Weight (g)
							(CFM)	m ³ /min	Inch-H ₂ O	Pa		
DC2010#05U	B.S	5	3.5~5.5	0.20	1.00	20000	1.70	0.05	0.24	60.90	30.0	5.0
DC2010#05H	B.S	5	3.5~5.5	0.13	0.65	15000	1.25	0.04	0.14	35.01	27.0	5.0
DC2010#05M	B.S	5	3.5~5.5	0.10	0.50	10000	0.73	0.02	0.05	11.77	22.0	5.0
DC2010#05L	B.S	5	3.5~5.5	0.07	0.35	8000	0.42	0.01	0.04	8.73	21.0	5.0
DC2010#12U	B.S	12	7.0~13.8	0.07	0.84	20000	1.70	0.05	0.24	60.90	30.0	5.0
DC2010#12H	B.S	12	7.0~13.8	0.05	0.60	15000	1.25	0.04	0.14	35.01	27.0	5.0
DC2010#12M	B.S	12	7.0~13.8	0.03	0.36	10000	0.73	0.02	0.05	11.77	22.0	5.0

DC2507

Size: 25×25×7mm



General Specification

Frame / Impeller: Plastic

Lead Wire: AWG#28 or

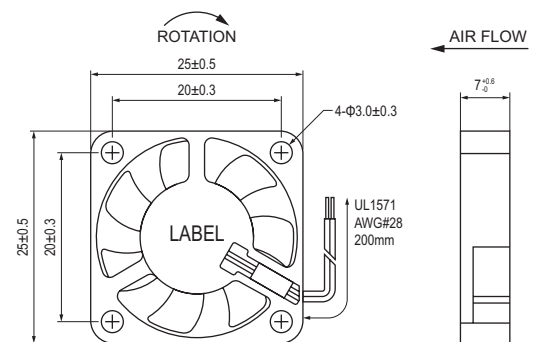
Equivalent (+)Red, (-)Black

Ball Bearing 50,000Hrs(40°C)

Sleeve Bearing 30,000Hrs(40°C)

Operating temperature: -10°C~+70°C

Storage temperature: -40°C~+70°C



Model Number	# Bearing Type	Rated Voltage (VDC)	Operating Voltage (VDC)	Input Current (A)	Input Power (W)	Speed (RPM)	Max Air Volum		Max Static Pressure		Noise (dB-A)	Weight (g)
							(CFM)	m ³ /min	Inch-H ₂ O	Pa		
DC2507#05H	B.S	5	3.5~5.5	0.18	0.90	12000	1.97	0.06	0.16	39.03	30.0	5.0
DC2507#05M	B.S	5	3.5~5.5	0.15	0.75	10000	1.57	0.04	0.11	26.48	24.0	5.0
DC2507#05L	B.S	5	3.5~5.5	0.12	0.60	8000	1.15	0.03	0.07	16.38	21.0	5.0
DC2507#05D	B.S	5	3.5~5.5	0.07	0.35	6000	0.69	0.02	0.03	7.16	20.0	5.0
DC2507#12H	B.S	12	7.0~13.8	0.07	0.84	12000	1.97	0.06	0.16	39.03	30.0	5.0
DC2507#12M	B.S	12	7.0~13.8	0.05	0.60	10000	1.57	0.04	0.11	26.48	24.0	5.0
DC2507#12L	B.S	12	7.0~13.8	0.04	0.48	8000	1.15	0.03	0.07	16.38	21.0	5.0