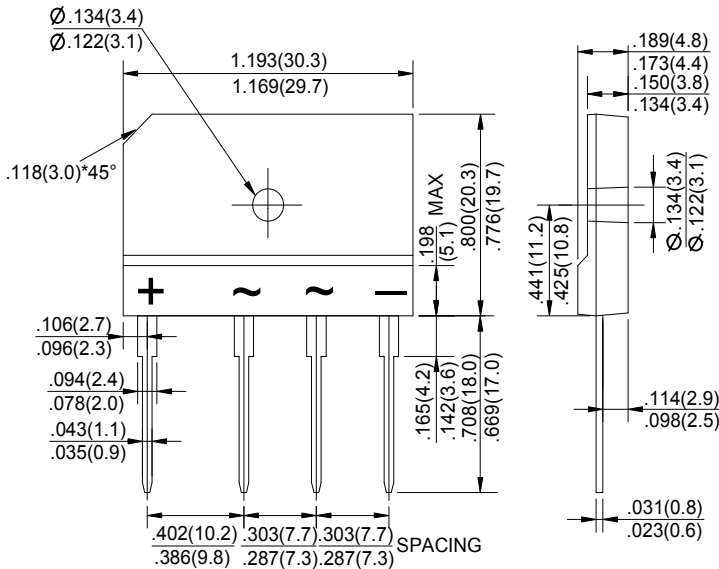


# GBJ15005 thru GBJ1510

## GLASS PASSIVATED BRIDGE RECTIFIERS

REVERSE VOLTAGE - 50 to 1000 Volts

FORWARD CURRENT - 15 Amperes



Dimensions in inches and (millimeters)

### FEATURES

- Rating to 1000V PRV
- Ideal for printed circuit board
- Low forward voltage drop, high current capability
- Reliable low cost construction utilizing molded plastic technique results in inexpensive product
- The plastic material has UL flammability classification 94V-0
- Weight: 0.24 ounces , 6.79grams

### MAXIMUM RATINGS AND ELECTRICAL CHARACTERISTICS

Rating at 25°C ambient temperature unless otherwise specified. Single phase, half wave, 60Hz, resistive or inductive load. For capacitive load, derate current by 20%

### Package: GBJ

CHARACTERISTICS	SYMBOL	GBJ 15005	GBJ 1501	GBJ 1502	GBJ 1504	GBJ 1506	GBJ 1508	GBJ 1510	UNIT	
Maximum Recurrent Peak Reverse Voltage	VRRM	50	100	200	400	600	800	1000	v	
Maximum RMS Voltage	VRMS	35	70	140	280	420	560	700	v	
Maximum DC Blocking Voltage	VDC	50	100	200	400	600	800	1000	v	
Maximum Average Forward (with heatsink Note 2) Rectified Current @ Tc=100°C (without heatsink)	I(AV)	15.0							3.2	A
Peak Forward Surge Current 8.3ms Single Half Sine-Wave Super Imposed on Rated Load (JEDEC Method)	IFSM	240								A
Maximum Forward Voltage at 7.5A DC	VF	1.1								V
Maximum DC Reverse Current @ TJ=25°C at Rated DC Blocking Voltage @ TJ=125°C	IR	10.0							500	uA
I <sup>2</sup> t Rating for Fusing (t<8.3ms)	I <sup>2</sup> t	240								A <sup>2</sup> s
Typical Junction Capacitance Per Element (Note1)	CJ	60								pF
Typical Thermal Resistance (Note2)	RθJC	0.8								°C/W
Operating Temperature Range	TJ	-55 to +150								°C
Storage Temperature Range	TSTG	-55 to +150								°C

NOTES: 1. Measured at 1.0MHz and applied reverse voltage of 4.0V DC.

2. Device mounted on 300mm\*300mm\*1.6mm cu plate heatsink.

# GBJ15005 thru GBJ1510

FIG.1-FORWARD CURRENT DERATING CURVE

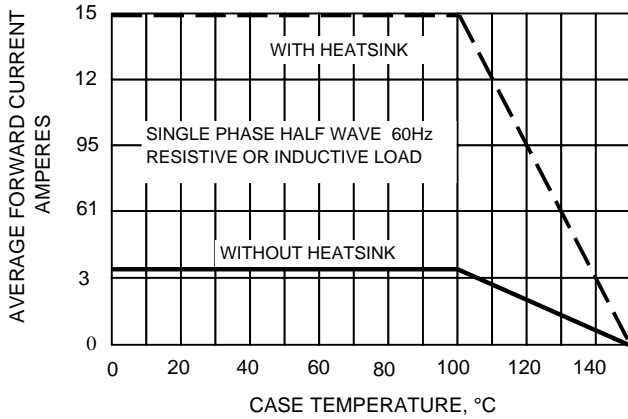


FIG.2-MAXMUN NON-REPETITIVE SURGE CURRENT

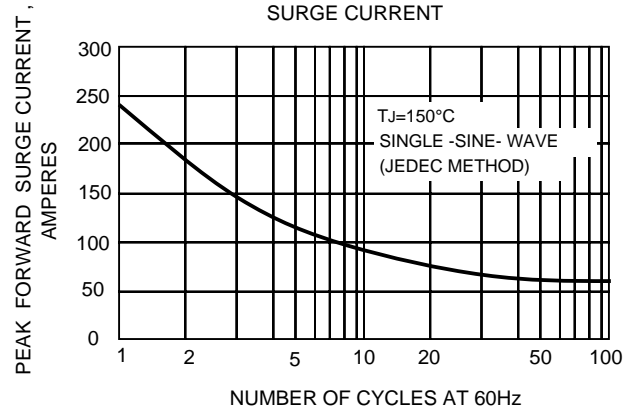


FIG.3-TYPICAL JUNCTION CAPACITANCE

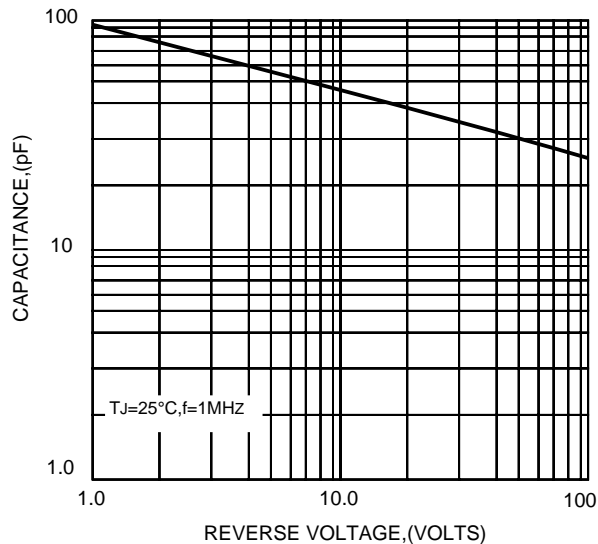


FIG.4-TYPICAL FORWARD CHARACTERISTICS

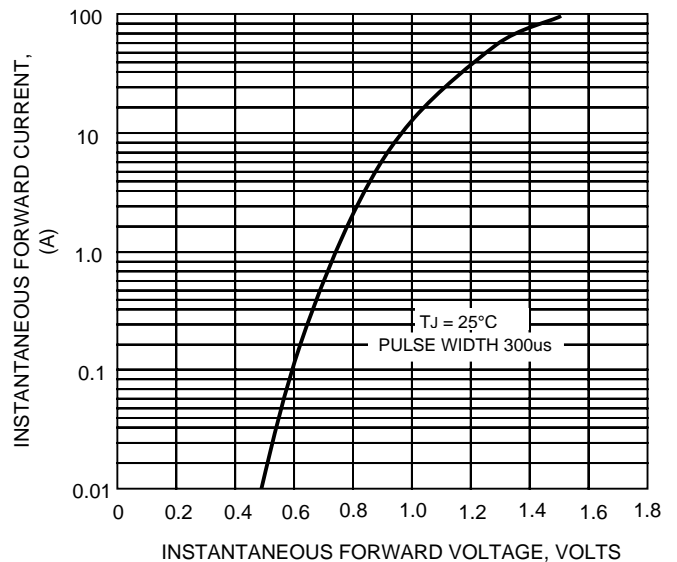


FIG.5-TYPICAL REVERSE CHARACTERISTICS

