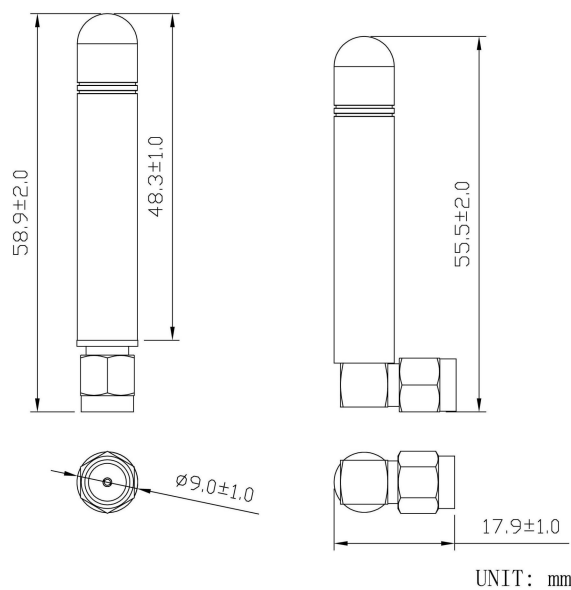


## 868MHz Antenna

### JCG401-1



### DIMENSIONS



ZHEJIANG JC ANTENNA CO., LTD

Add: 398#, Zhenye Road, South Street, Jiaxing, Zhejiang, China

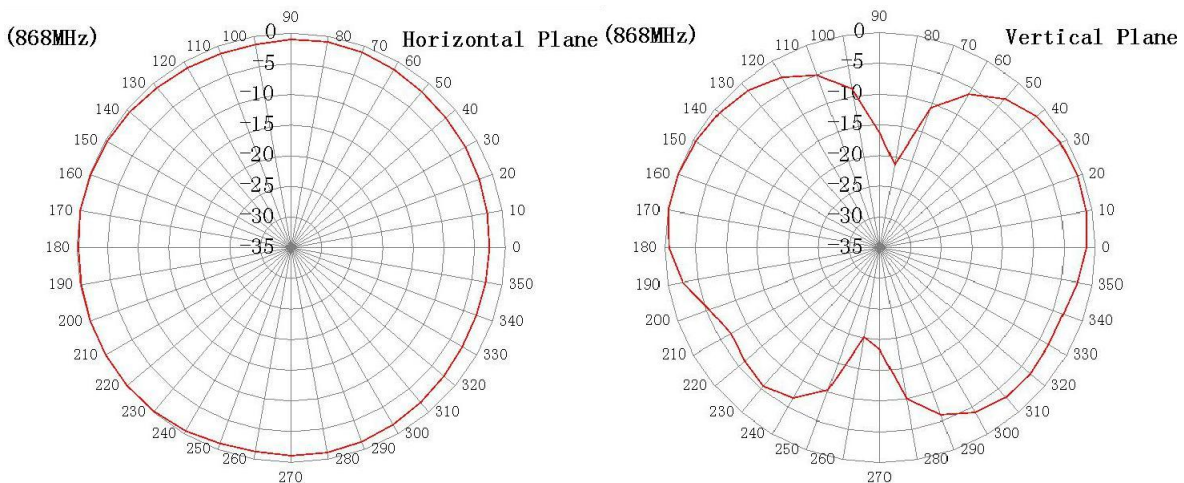
Http:// [www.jinchanggps.com](http://www.jinchanggps.com) Email: [sale4@jinchanggps.com](mailto:sale4@jinchanggps.com)

Tel: 86-0573-83692157/83692605/83958637 Fax: 86-0573-83958635

## SPECIFICATIONS

Item		Specifications
Antenna	Frequency Range	868MHz
	Polarization	Linear
	Gain	2dBi (Zenith)
	V.S.W.R (min)	<2.5
	<b>Impedance</b>	<b>50 Ω</b>
	Connector	SMA Male, Straight or Right Angle
Environmental	Operating Temperature	-40°C~+85°C
	Vibration	10 to 55Hz with 1.5mm amplitude 2hours
	Environmentally Friendly	ROHS Compliant

## Radiation Pattern



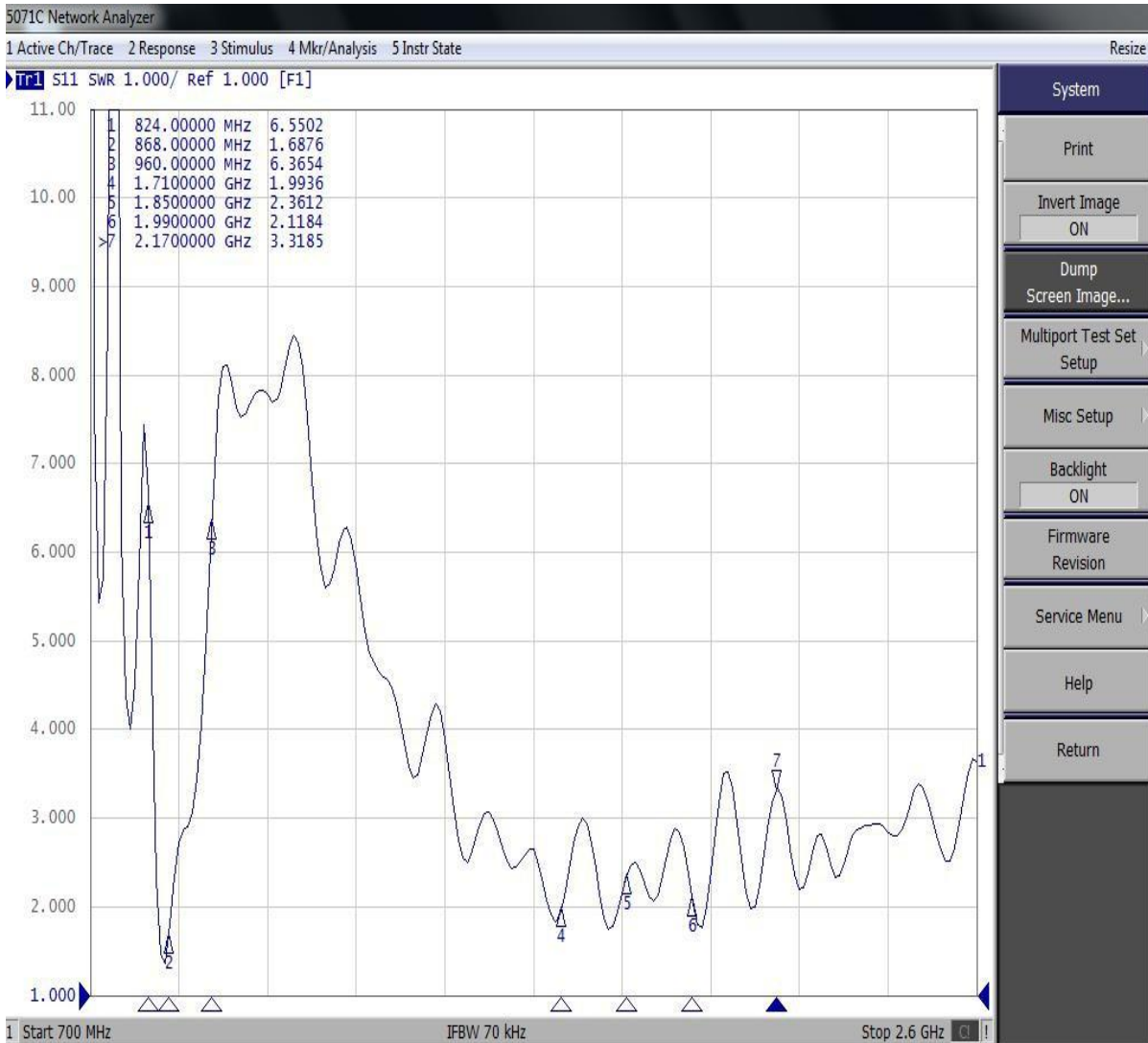
**ZHEJIANG JC ANTENNA CO., LTD**

Add: 398#, Zhenye Road, South Street, Jiaxing, Zhejiang, China

Http:// [www.jinchanggps.com](http://www.jinchanggps.com) Email: [sale4@jinchanggps.com](mailto:sale4@jinchanggps.com)

Tel: 86-0573-83692157/83692605/83958637 Fax: 86-0573-83958635

V.S.W.R



ZHEJIANG JC ANTENNA CO., LTD

Add: 398#, Zhenye Road, South Street, Jiaxing, Zhejiang, China

Http:// www.jinchanggps.com Email:sale4@jinchanggps.com

Tel: 86-0573-83692157/83692605/83958637 Fax:86-0573-83958635

## Return of Loss(S11)



Frequency 频率(MHz)	Gain 增益(dB)
824	-0.62
<b>868</b>	<b>2.74</b>
960	0.32
1710	2.42
1850	2.82
1990	3.58
2170	3.71

ZHEJIANG JC ANTENNA CO., LTD

Add: 398#, Zhenye Road, South Street, Jiaxing, Zhejiang, China

Http:// www.jinchanggps.com Email:sale4@jinchanggps.com

Tel: 86-0573-83692157/83692605/83958637 Fax:86-0573-83958635