

■ Dimensions: (mm)

Part No.	A	B	C	D	E	F
JNR 5020S	5.0 ± 0.2	5.0 ± 0.2	2.0 Max	4.0 typ	1.25 typ	2.5 typ
	a	b	c			
	2.3Typ.	1.4Typ.	4.2Typ.			

■ Series List

No.	Part No.	L 100KHz,1.0V (μ H)	RDC $\pm 30\%$ (m Ω)	Isat Max. (A)	Irms Max. (A)
1	JNR 5020S-1R0N	1.0 $\pm 30\%$	20	4.33	3.70
2	JNR 5020S-1R5N	1.5 $\pm 30\%$	26	4.10	3.20
3	JNR 5020S-2R2N	2.2 $\pm 30\%$	38	3.85	2.90
4	JNR 5020S-3R3N	3.3 $\pm 30\%$	46	3.25	2.40
5	JNR 5020S-4R7M	4.7 $\pm 20\%$	65	2.40	2.05
6	JNR 5020S-6R8M	6.8 $\pm 20\%$	92	2.10	1.70
7	JNR 5020S-8R2M	8.2 $\pm 20\%$	100	1.90	1.60
8	JNR 5020S-100M	10 $\pm 20\%$	125	1.80	1.50
9	JNR 5020S-150M	15 $\pm 20\%$	180	1.44	1.25
10	JNR 5020S-220M	22 $\pm 20\%$	250	1.18	1.05
11	JNR 5020S-330M	33 $\pm 20\%$	370	0.97	0.83
12	JNR 5020S-470M	47 $\pm 20\%$	560	0.81	0.70
13	JNR 5020S-101M	100 $\pm 20\%$	1100	0.53	0.53

1. Test Frequency : 100KHz/1V

2. TOLERANCE CODE: J: $\pm 5\%$ K: $\pm 10\%$ L: $\pm 15\%$ M: $\pm 20\%$ P: $\pm 25\%$ N: $\pm 30\%$

3. Isat: DC current at which the inductance drops approximate 35% from its value without current

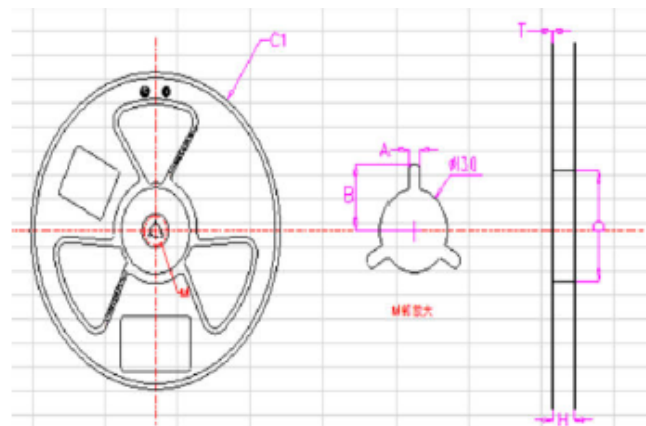
4. Irms: DC current that causes the temperature rise ($\Delta T = 40^\circ\text{C}$) from 20°C ambient

■ PACKAGE

Type	JNR 5020S
Q'TY/Reel	3000

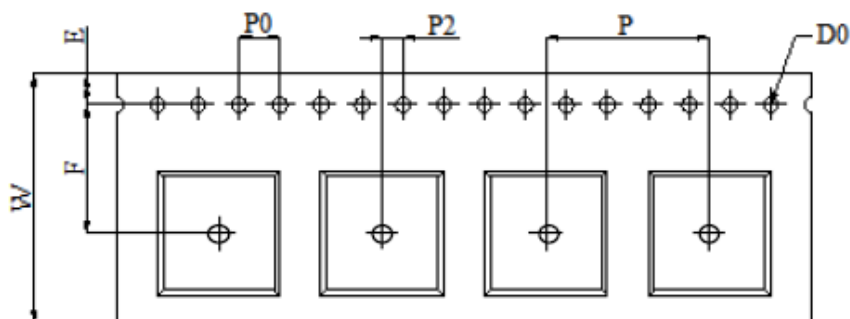
Packaging Information

1. DIMENSIONS FOR CARRIER TAPES



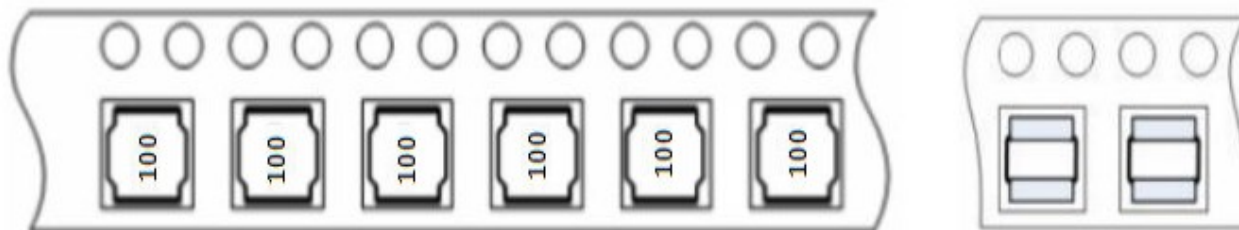
ITEM	W	P	F	E	D0	P0	P2
DIM	12.00	8.00	5.50	1.75	1.50	4.00	2.00
	+0.3	+0.1	+0.15	+0.1	+0.1	+0.1	+0.1
	-0.3	-0.1	-0.15	-0.1	-0.0	-0.1	-0.1

SPEC	12	16	24	32
C1 ± 1	330.0	330.0	330.0	330.0
A ± 0.2	2.3	2.3	2.3	2.3
B ± 0.2	10.75	10.75	10.75	10.75
H ± 0.2	12.5	16.5	24.5	32.5
T ± 0.2	2.3	2.3	2.3	2.3
D ± 0.5	φ 100	φ 100	φ 100	φ 100



起始空带预留20CM (25个空格) min

结尾空带预留40CM (50个空格) min



2. PACKING(mm)

載帶寬度 (W)	間距 (P)	卷(PCS) 13inch	4卷/2袋 (PCS)	2袋/內箱 (PCS)	5內箱/外箱 (PCS)
12mm	8mm	3000	12000	12000	60000

备注:

1. 包装袋规格: 375*400mm (REF.)
2. 內箱规格: 340*70*340mm (REF.)
3. 外箱规格: 375*360*360mm (REF.)