

42W Constant Current -FDS power supply



■ Approve

CE SELV

Features

- Class II,SELV,built-in
- Input Voltage 220-240VAC
- Protections: SCP/OLP/OVP
- Power Factor :0.9C
- Efficiency 88%
- Adjustable Output Current with dip-switch
- 5 years warranty

Applications

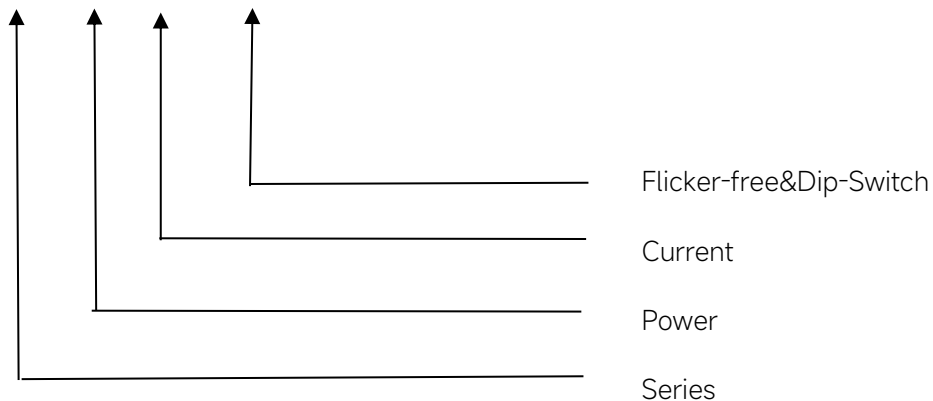
- Track Spot light

◆ Description

FDS-42-1050 LD1-3 Wires is a 42W constant current LED driver that operates from 198-264Vac input with 900 to 1050mA output current and a forward voltage range from 28 to 40 Vdc. The output current is adjustable by DIP Switch. With it's compact dimensions from 128 X 36.5 X 26mm it is easy to integrate in track spot light products. To ensure trouble-free operation, protection is provided against output short circuit and over Load.

◆ Model code

FDS-42-1050 LD1-3 Wires



◆ Specification

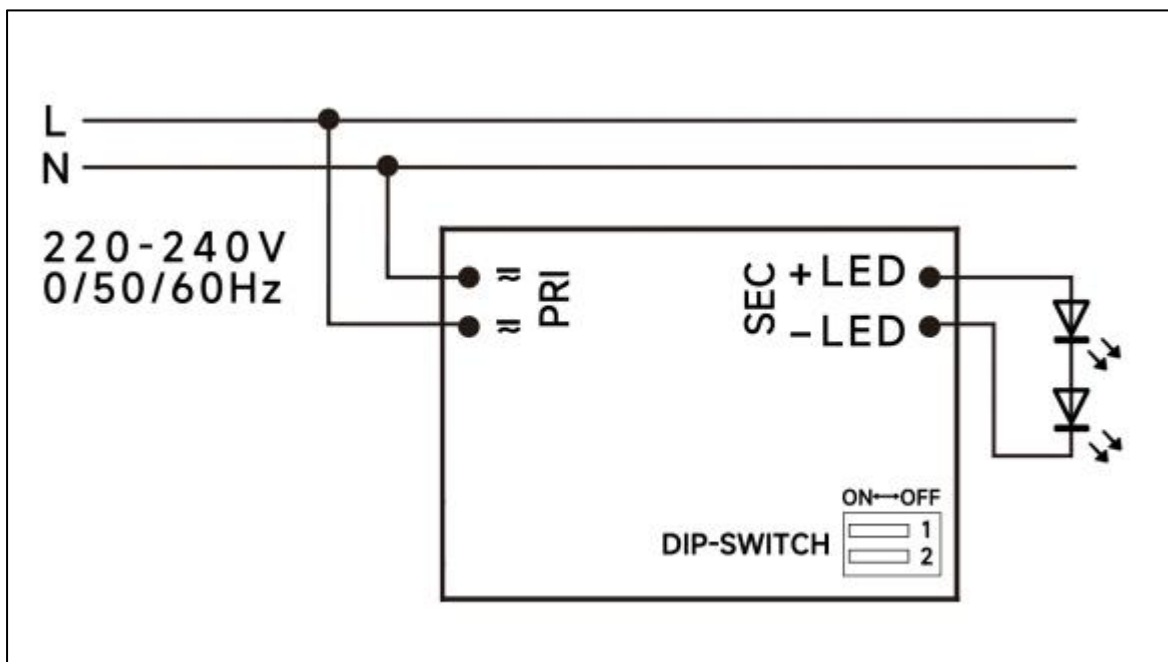
	Constant Current	900mA	950mA	1000mA	1050mA
Output	Voltage Range	28-40VDC			
	Unload voltage Max.	55VDC			
	Current Accuracy	±5%			
	Output HF current ripple(≥1KHz)	±3%			
	Output LF current ripple(≤120Hz)	±3%			
	SVM	≤0.4			
	P _{st}	≤1			
	Efficiency(Typ.)	88%			
	Input	Rated input voltage	220-240VAC		
Range of input voltage		198-264VAC			
Rated input voltage(DC)		198-280VDC			
Frequency(Hz)		0/50/60 Hz			
Displacement factor		≥0.9			
Power Factor		>0.9			
Input Current max		0.28A MAX.			
Start-up time		< 0.5S			
No Load Power		≤0.5W			
THD (Typ.)		<10%			
Protection	Over Load Protection	103-120% YES/Auto Resume			
	Over Voltage Protection	> 55VDC YES/Auto Resume			
	Short circuit Protection	YES/Auto Resume			
	Over Temperature Protection	YES/Auto Resume			
Environment	Operating Temperature	-20°C~+35°C			
	Humidity	20%-90%RH			
	T _c	80°C			
	Storage Temperature	-20°C~+60°C			
	Life time	> 30000h@T _c =60°C			
Surface	Dimension	128 X 36.5 X 26(LXWXH)mm			
standards	EN 61347-1; EN61347-2-13; EN62384;				
Others	ErP	EU 2019/2020			
	RoHS	RoHS (2011/65/EU) (EU)2015/863			
Note	1.All parameters NOT specially mentioned are measured at 230VAC input , full load and 25°C of ambient temperature. 2.Ripple & Noise are measured at 20MHz of bandwidth by using a 300mm twisted pair-wire terminated with a 0.1uF & 47 uF parallel capacitor.				

◆ Parameter

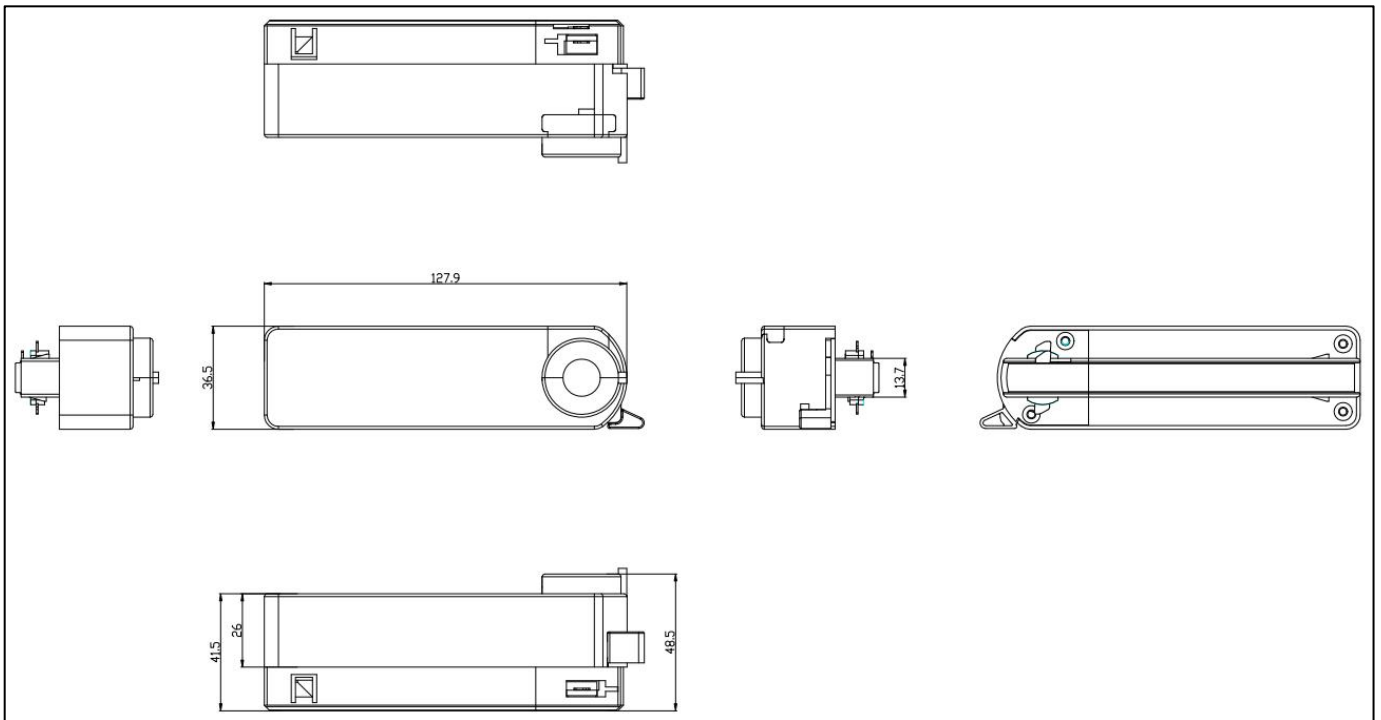
Number	Output				Switch position	
	Current (mA)	Voltage (VDC)	Voltage No load (VDC)	Power (W)	1	2
1	900mA	28-40VDC	55	36	--	--
2	950mA			38	ON	--
3	1000mA			40	--	ON
*4	1050mA			42	ON	ON

* Factory default

◆ Wiring diagram

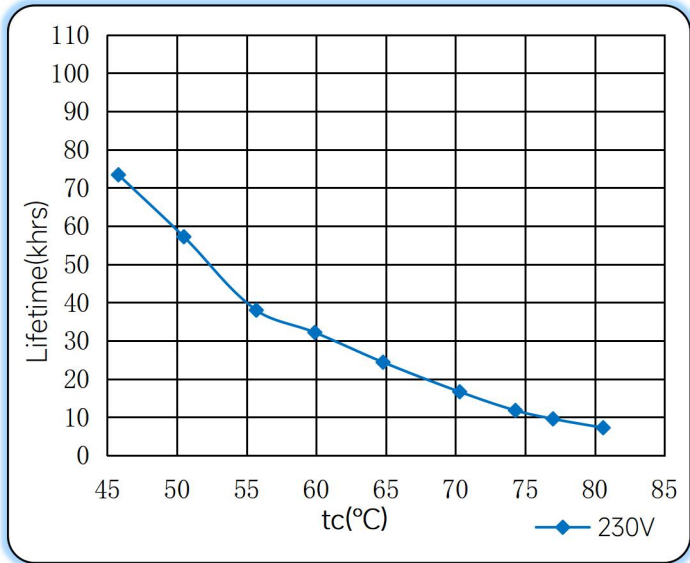


◆ 2D diagram

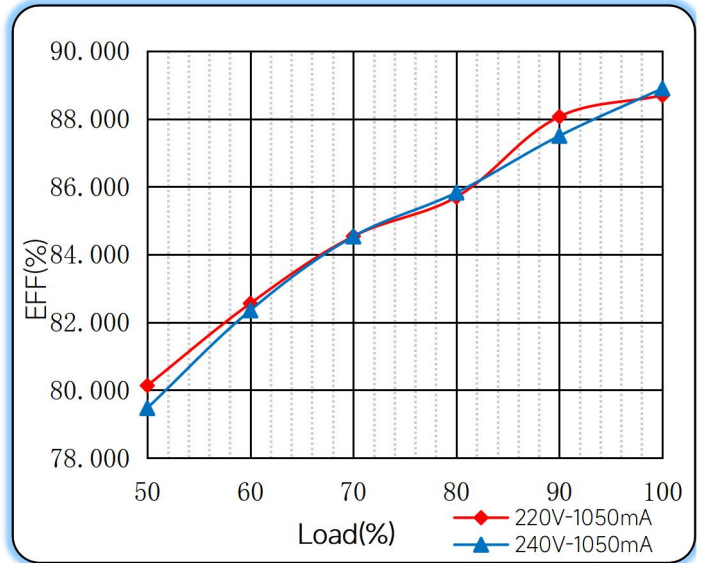


◆ Curve for FDS-42-1050 LD1-3 Wires, $I_o=1050\text{mA}$

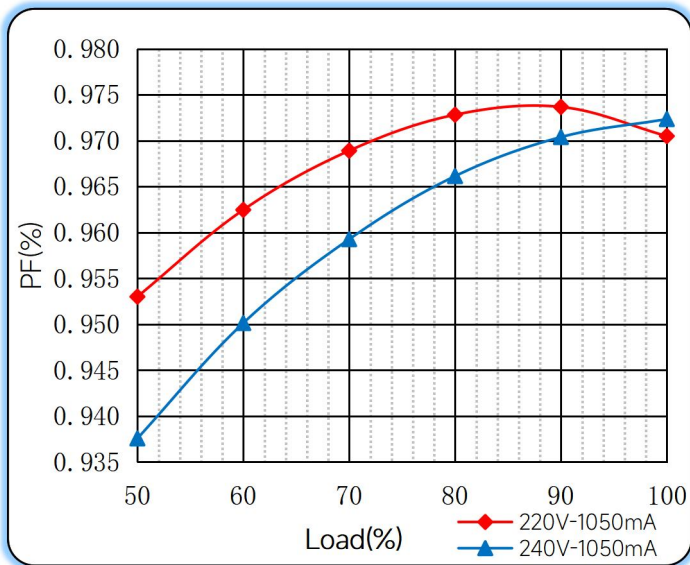
Lifetime vs. Temperature Curve



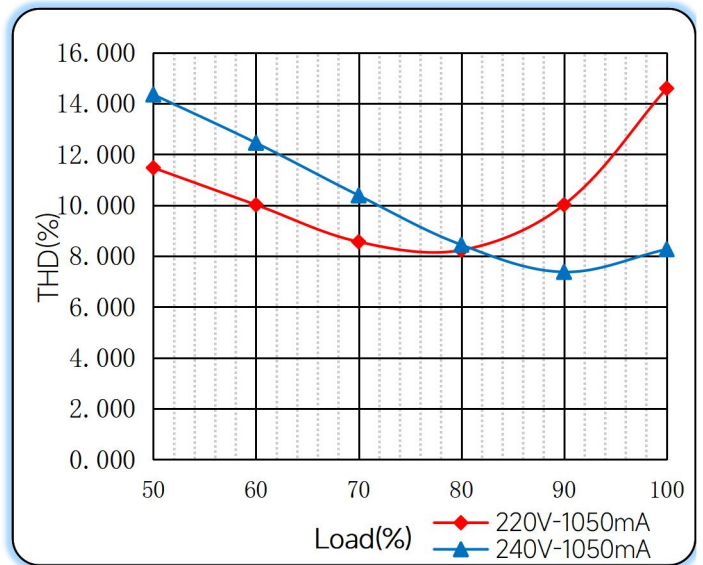
Efficiency vs. Load



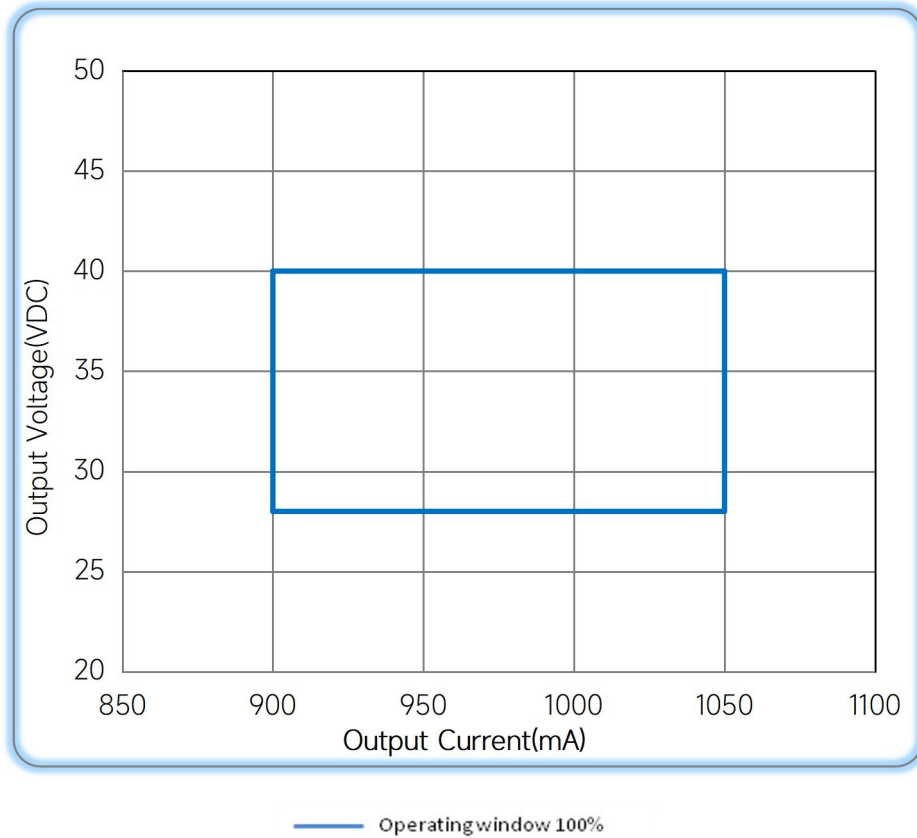
Power Factor Characteristics



THD vs. Load



◆ **Operating window**



◆ **Revision Updates**

ITEM	BEFORE	AFTER	VERSION	DATE
Initial			A	2022/05/15

Tel: +86-0757-86256822, +86-0757-86256831

E-mail: sales@eaglerise.com

Website : <https://lighting.eaglerise.com>



EAGLERISE



Manual