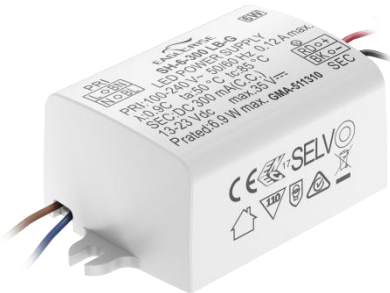


6W LED Driver Constant Current



■ Approve



Features

- Class I&II, SELV, Built-in
- Input Voltage 100-240VAC
- Protections: SCP/OLP/OVP/OTP
- Power Factor 0.9C
- Efficiency $\geq 67\%$
- 5 years warranty

Applications

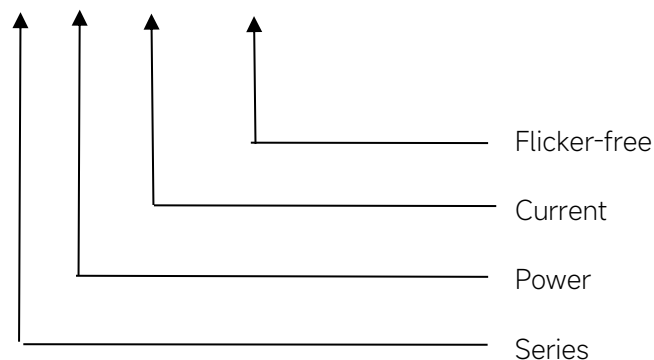
- LED spot light, Wall light

◆ Description

SH-6-XXX LB-G is a 6W constant current LED driver with 300mA to 700mA output current. With its compact dimensions from 60 x 34 x 23.5 mm it is easy to integrate in wall light and LED spot light products. To ensure trouble-free operation, protection is provided against output short circuit and over Load.

◆ Model code

SH-6-XXX LB-G



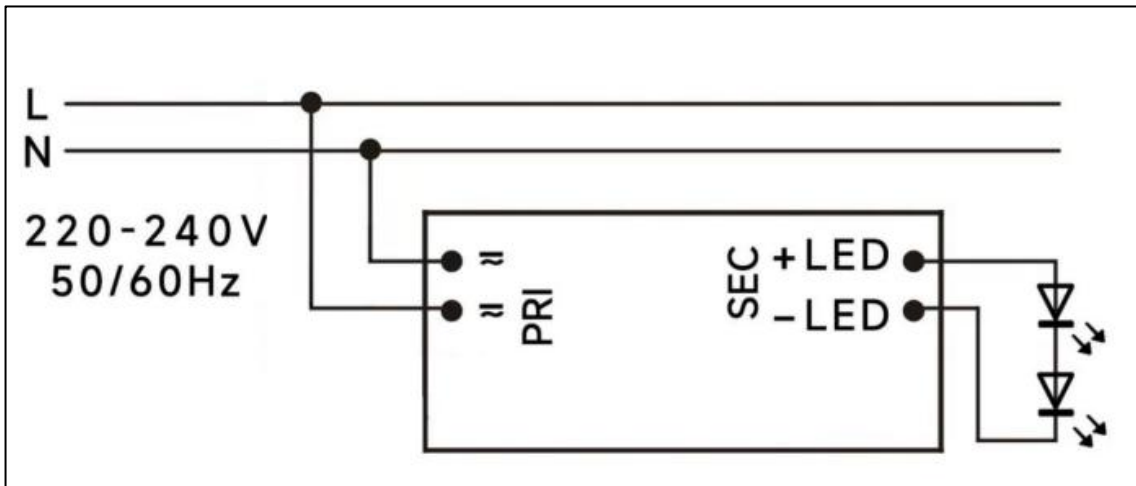
◆ Specification

Output	Constant Current	300mA	350mA	500mA	700mA
	Unload voltage Max.	35VDC	30VDC	23VDC	20VDC
	Voltage Range	13-23VDC	12-21 VDC	6-13VDC	5.5-10.5VDC
	Current Accuracy	±7%			
	Output HF current ripple(≥1KHz)	±3%			
	Output LF current ripple(≤120Hz)	±3%			
	SVM	≤0.4			
	Pst	≤1			
	Efficiency(Typ.)	≥67%			
Input	Rated input voltage	100-240VAC			
	Range of input voltage	90-264VAC			
	Frequency(Hz)	50/60 Hz			
	Displacement factor	≥0.5			
	Power Factor	0.9C			
	Input Current max	0.12A			
	Start-up time	< 0.5S			
	No Load Power	≤0.5W			
	THD (Typ.)	< 15%			
Protection	Over Load Protection	103-120%			
		YES/Auto Resume			
	Over Voltage Protection	> 35VDC	> 30VDC	> 23VDC	> 20VDC
		YES/Auto Resume			
	Short circuit Protection	YES/Auto Resume			
	Over Temperature Protection	YES/Auto Resume			
Environment	Operating Temperature	-10°C~+50°C			
	Humidity	20%-90%RH			
	Tc	85°C			
	Storage Temperature	-20°C~+50°C			
	Life time	> 50000h@Tc=75°C,230VAC			
Surface	Dimension	60 x 34 x 23.5(LXWXH)mm			
standards	EN 61347-1; EN61347-2-13; EN62384; EN55015; EN61000-3-2 ; EN61000-3-3; EN 61547;				
Others	ErP	EU 2019/2020			
	RoHS	RoHS (2011/65/EU) (EU)2015/863			
Note	1.All parameters NOT specially mentioned are measured at 230VAC input , full load and 25°C of ambient temperature. 2.Ripple & Noise are measured at 20MHz of bandwidth by using a 300mm twisted pair-wire terminated with a 0.1uF & 47 uF parallel capacitor				

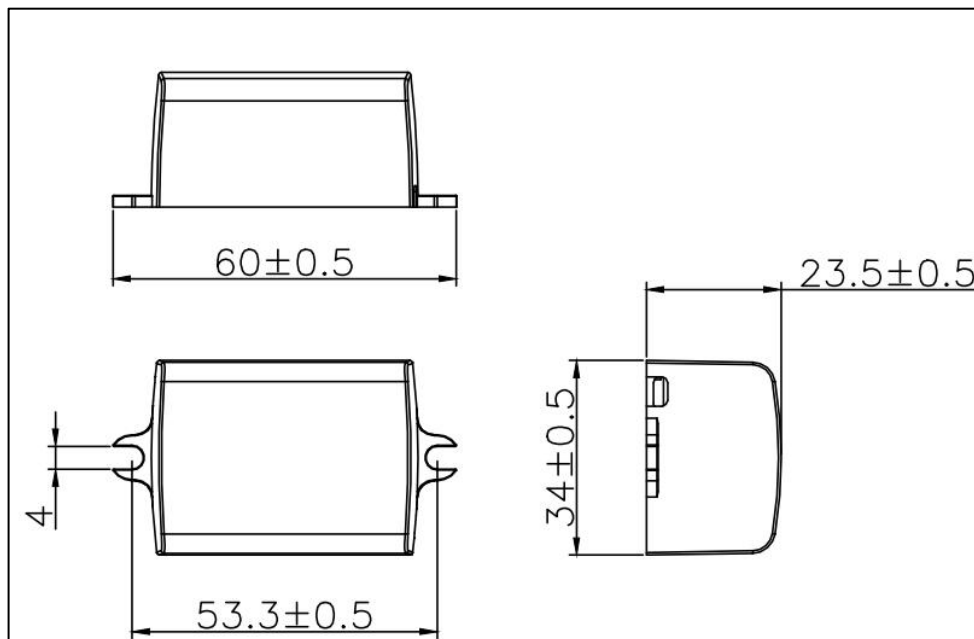
◆ Circuit Breaker

I ^{peak}	T ^{width}	B10	B16	B20	C10	C16	C20
10A	53μs	66pcs	106pcs	133pcs	66pcs	106pcs	133pcs

◆ Wiring diagram

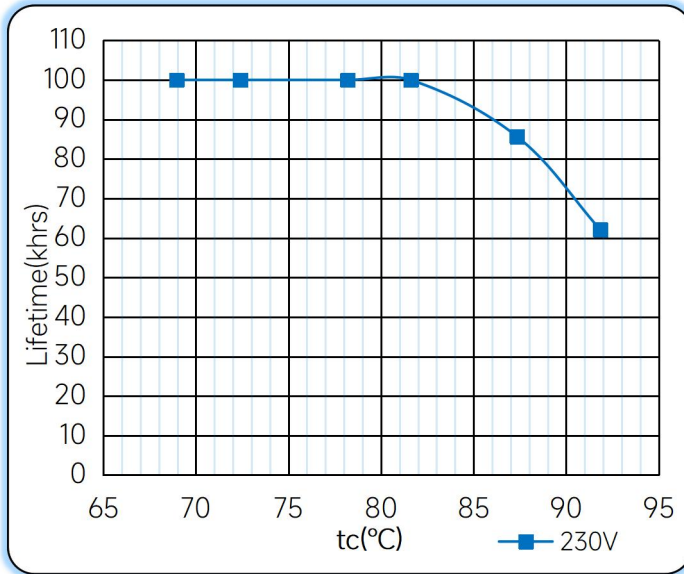


◆ 2D diagram

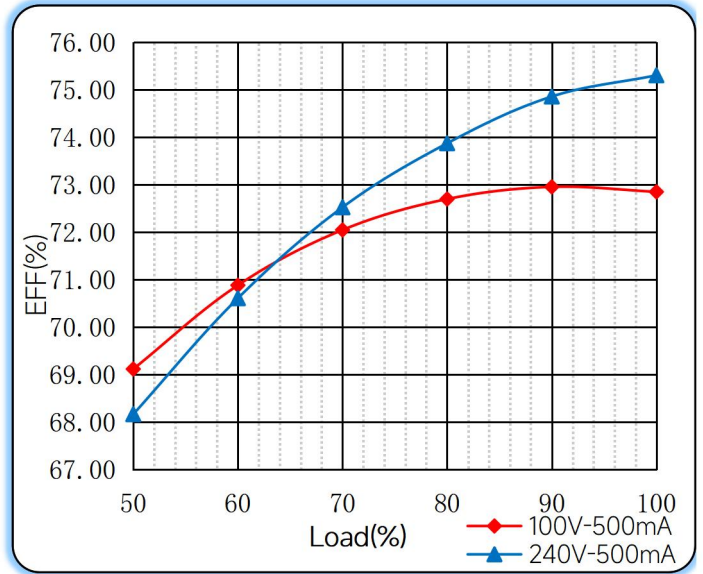


◆ Curve for SH-6-500 LB-G, I_o=500mA

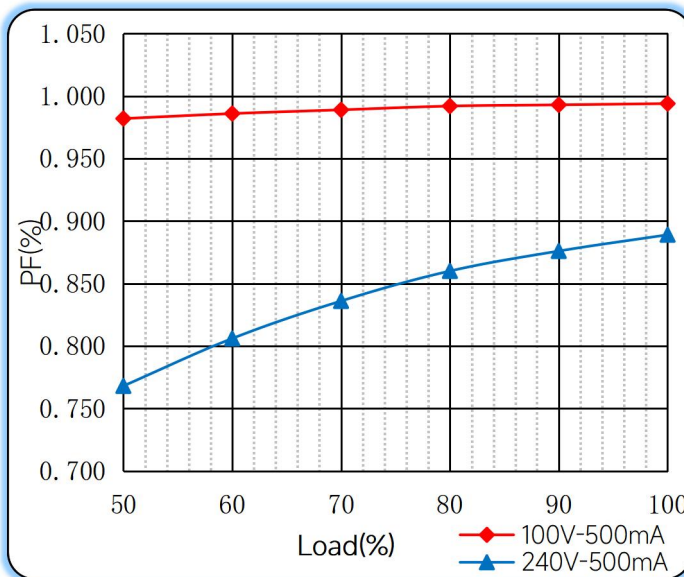
Lifetime vs. Temperature Curve



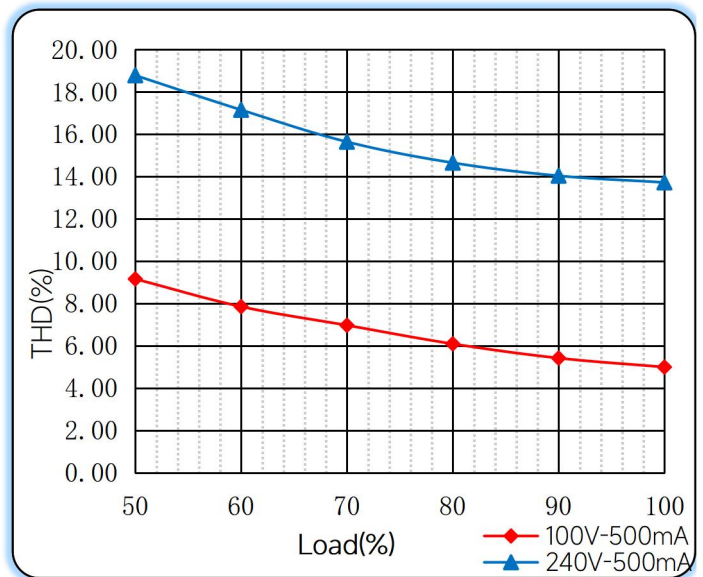
Efficiency vs. Load



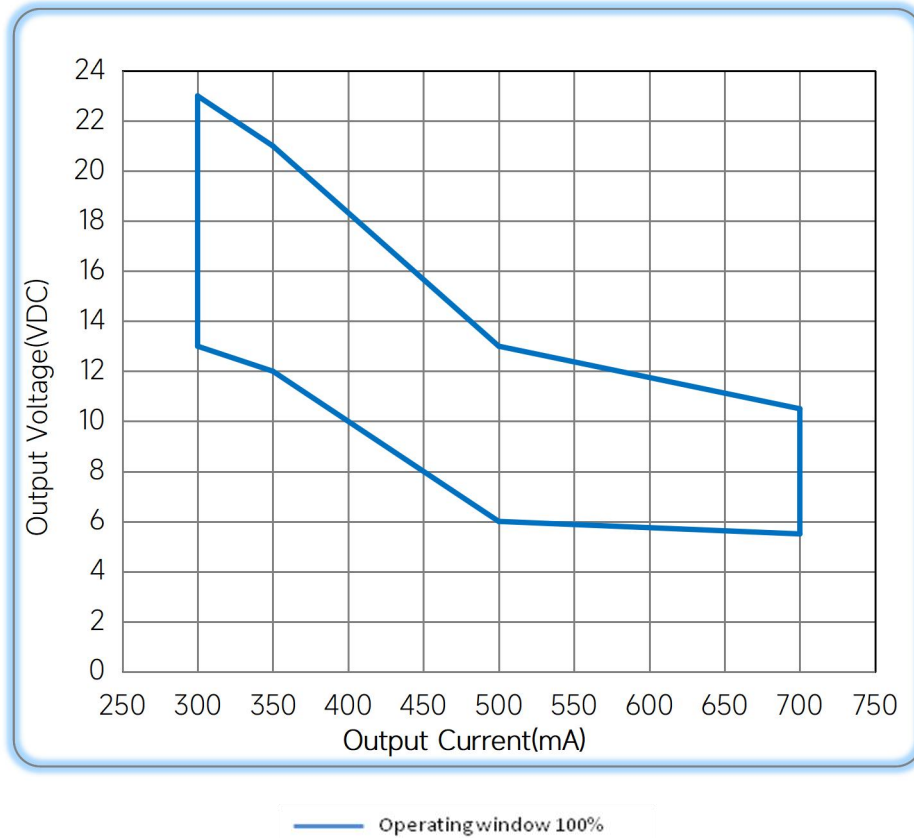
Power Factor Characteristics



THD vs. Load



◆ Operating window



◆ Revision Updates

ITEM	BEFORE	AFTER	VERSION	DATE
Initial			A	2022/05/15

Tel: +86-0757-86256822, +86-0757-86256831

E-mail: sales@eaglerise.com

Website : <https://lighting.eaglerise.com>



EAGLERISE



Manual