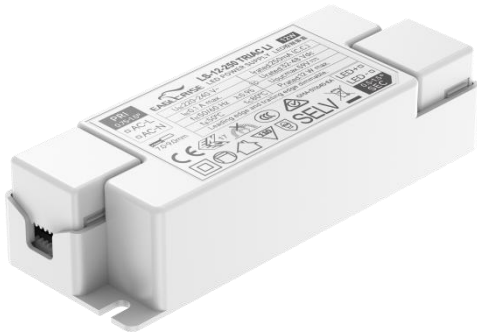


12W Triac Dimming power supply



■ Approve



Features

- Class II, SELV, independent
- Input Voltage: 220-240VAC
- Protections: SCP/OLP/OVP
- Power Factor: 0.95
- Efficiency: 82%
- 5 years warranty
- IP20

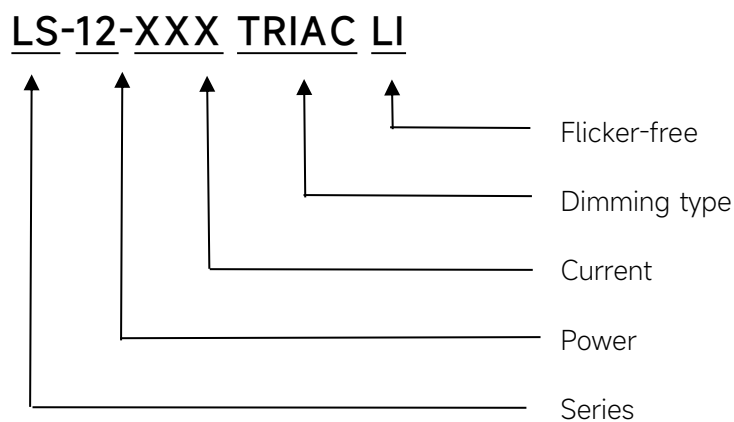
Applications

- LED panel, LED down light
- LED spot light

◆ Description

LS-12-XXX TRIAC LI is a 12W constant current LED driver that operates from 198-264Vac input with 250-700mA output current. With its compact dimensions from 116 x 42.5 x 28mm it is easy to integrate in LED panel, pendant light and down light products. To ensure trouble-free operation, protection is provided against output short circuit and over Load.

◆ Model code



◆ Specification

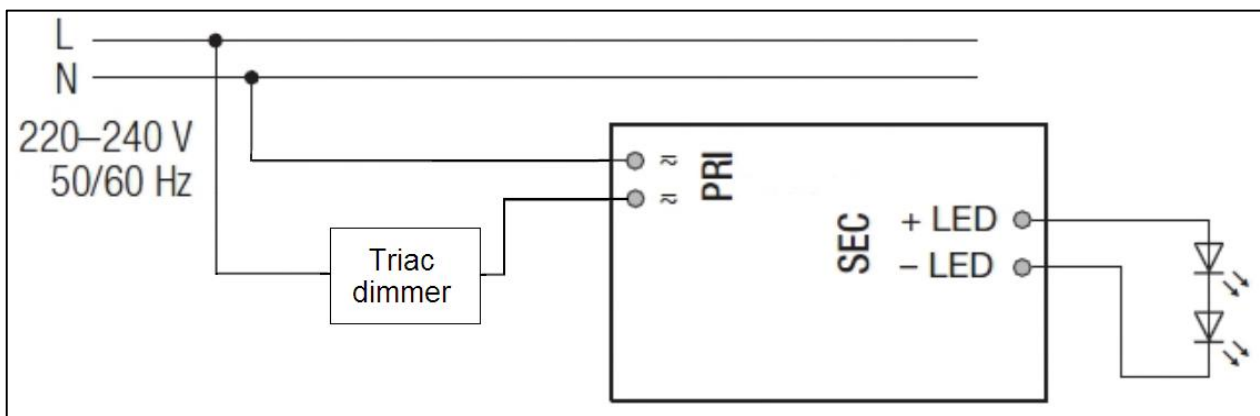
Output	Constant Current (mA)	250mA	300mA	700mA
	Voltage Range(VDC)	32-48V	26-40V	12-18V
	Unload voltage Max.(VDC)	59V	50V	25V
	Current Accuracy	±5%			
	Output HF current ripple(≥1KHz)	±5%			
	Output LF current ripple(≤120Hz)	±5%			
	SVM	<0.4			
	P _{st}	<1			
	Efficiency(Typ.)	≥82%@Full Load,230VAC			
Input	Rated input voltage(VAC)	220-240VAC			
	Range of input voltage(VAC)	198-264VAC			
	Range of input voltage(VDC)	198-280VDC			
	Frequency(Hz)	50/60 Hz			
	Displacement factor	≥0.9			
	Power Factor	0.95±0.05			
	Input Current max	0.1A MAX.			
	Start-up time	< 0.5S			
	No Load Power	≤1W			
	THD (Typ.)	< 25% @Full Load,230VAC			
	Dimming	Dimming	YES		
Dimming mode		Triac, Leading edge & trailing edge dimmable			
Dimming depth		10%			
Dimming current range		10 ~ 100%			
Protection	Over Load Protection	103-120% YES/Latch off			
	Over Voltage Protection	>59VDC	>50VDC	...	>25VDC
	Short circuit Protection	YES/Latch off			
Environment	Operating Temperature	-20°C...+50°C			
	Humidity	20%-90%RH			
	Tc	80°C			
	Storage Temperature	-20°C...+60°C			
	Life time	> 30,000h@ta=50°C			
Surface	Dimension	116X42.5X28 (LXWXH)mm			
standards	EN 61347-1,EN 61347-2-13;GB 19510.1,GB 19510.14;EN 62384;EN IEC 55015,EN IEC 61000-3-2,EN 61000-3-3;GB/T 17743,GB 17625.1;EN 61547				
Others	ErP	EU 2019/2020			

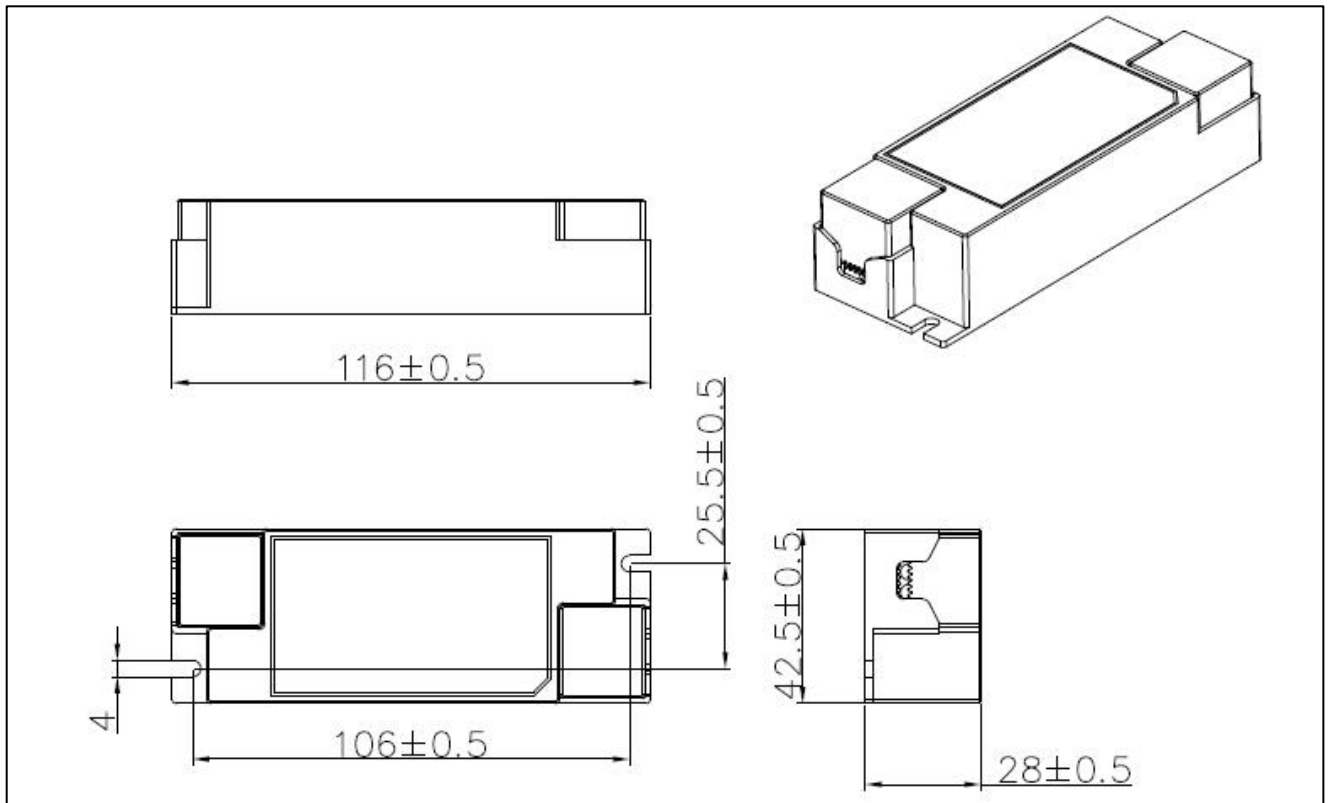
	RoHS	RoHS (2011/65/EU) (EU)2015/863
Note	1.All parameters NOT specially mentioned are measured at 230VAC input , full load and 25°C of ambient temperature. 2.Ripple & Noise are measured at 20MHz of bandwidth by using a 300mm twisted pair-wire terminated with a 0.1uF & 47 uF parallel capacitor.	

◆ Model list

No.	Model number	Input		Output			Max. Prated(W)
		Voltage (VAC)	Max.Current (A)	Constant current (mA)	Normal working voltage (VDC)	No load working voltage (VDC)	
1	LS-12-250 TRIAC LI	220-240	0.1	250	32-48	59	12
1	LS-12-300 TRIAC LI			300	26-40	50	12
2	LS-12-350 TRIAC LI			350	23-35	46	12.3
3	LS-12-400 TRIAC LI			400	20-30	40	12
4	LS-12-450 TRIAC LI			450	17-27	35	12.2
5	LS-12-500 TRIAC LI			500	16-24	34	12
6	LS-12-550 TRIAC LI			550	14-22	32	12.1
7	LS-12-600 TRIAC LI			600	13-20	30	12
8	LS-12-650 TRIAC LI			650	12-18	25	11.7
9	LS-12-700 TRIAC LI			700	12-18	25	12.6

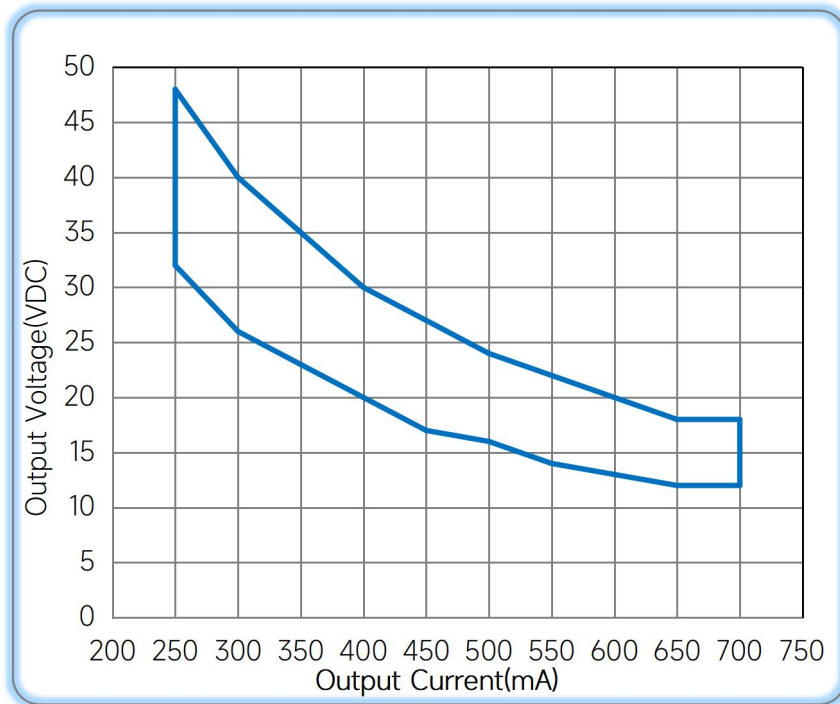
◆ Wiring diagram



◆ 2D diagram

◆ Wiring & Connections

	Specification item	Value (Unit)
Input	Input wire cross-section	0.75...1.5 mm ²
	Input wire gauge.	16...20 AWG
	Input wire strip length	7...9mm
Output	Output wire cross-section	0.5...1.5 mm ²
	Output wire gauge.	16...20 AWG
	Output wire strip length	7...9mm

Operating window



— Operating window 100%

◆ Revision Updates

ITEM	BEFORE	AFTER	VERSION	DATE
Initial			A	2022/05/15

Tel: +86-0757-86256822, +86-0757-86256831

E-mail: sales@eaglerise.com

Website : <https://lighting.eaglerise.com>



EAGLERISE



Manual