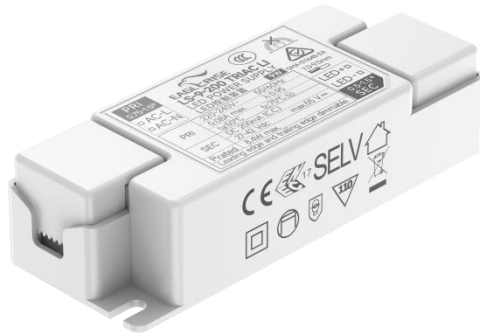


9W Triac Dimming power supply



■ Approve



Features

- Class II, SELV, independent
- Input Voltage: 220-240VAC
- Protections: SCP/OLP/OVP
- Power Factor: 0.95
- Efficiency: 76%
- 5 years warranty
- IP20

Applications

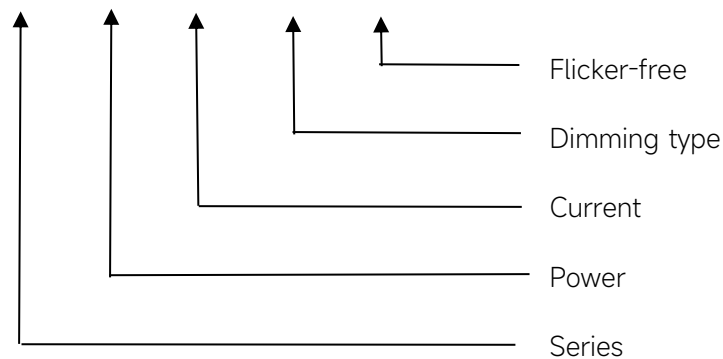
- LED panel, LED down light
- LED spot light

◆ Description

LS-9-XXX TRIAC LI is a 9W constant current LED driver that operates from 198-264Vac input with 200mA to 500mA output current. With it's compact dimensions from 100 x 38 x 25mm it is easy to integrate in LED panel, pendant light and down light products. To ensure trouble-free operation, protection is provided against output short circuit and over Load.

◆ Model code

LS-9-XXX TRIAC LI



◆ Specification

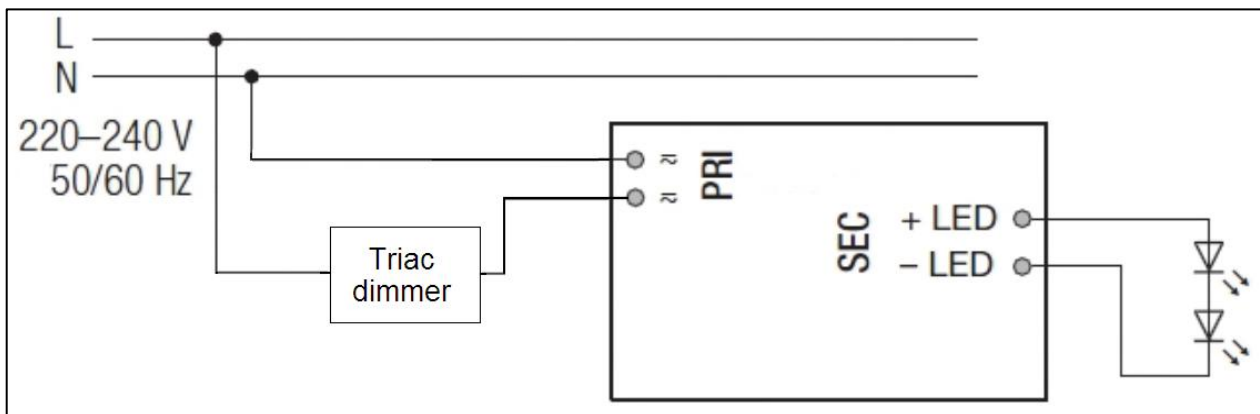
Output	Constant Current (mA)	200mA	350mA	500mA
	Voltage Range(VDC)	27-42V	17-27V	12-19V
	Unload voltage Max.(VDC)	55V	35V	28V
	Current Accuracy	±5%			
	Output HF current ripple(≥1KHz)	±5%			
	Output LF current ripple(≤120Hz)	±5%			
	SVM	<0.4			
	P _{st}	<1			
	Efficiency(Typ.)	200mA -350mA ≥78% 400mA -500mA: ≥76%			
Input	Rated input voltage(VAC)	220-240VAC			
	Range of input voltage(VAC)	198-264VAC			
	Range of input voltage(VDC)	198-280VDC			
	Frequency(Hz)	50/60 Hz			
	Displacement factor	≥0.9			
	Power Factor	0.95±0.05			
	Input Current max	0.08A MAX.			
	Start-up time	< 0.5S			
	No Load Power	≤1W			
	THD (Typ.)	< 25% @Full Load,230VAC			
	Dimming	Dimming	YES		
Dimming mode		Triac, Leading edge & trailing edge dimmable			
Dimming depth		10%			
Dimming current range		10 ~ 100%			
Protection	Over Load Protection	103-120% YES/Latch off			
	Over Voltage Protection	>55VDC	>35VDC	...	>28VDC
	Short circuit Protection	YES/Latch off			
Environment	Operating Temperature	-20°C...+50°C			
	Humidity	20%-90%RH			
	T _c	75°C			
	Storage Temperature	-25°C...+60°C			
	Life time	> 30,000h@ta=50°C			
Surface	Dimension	100X38X25 (LXWXH)mm			
standards	EN 61347-1,EN 61347-2-13;GB 19510.1,GB 19510.14;EN 62384;EN IEC 55015,EN IEC 61000-3-2,EN 61000-3-3;GB/T 17743,GB 17625.1;EN 61547				

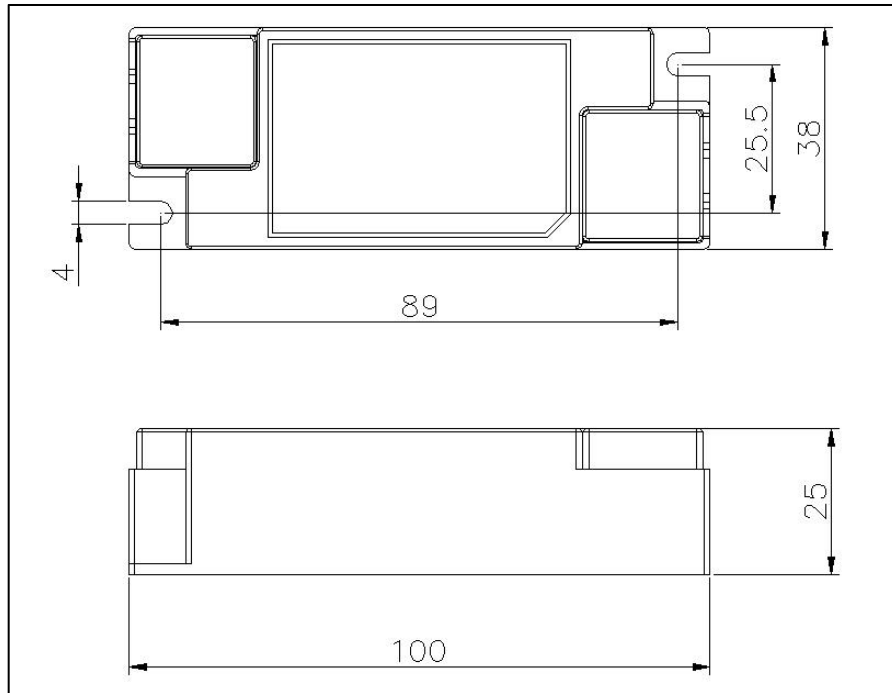
Others	ErP	EU 2019/2020
	RoHS	RoHS (2011/65/EU) (EU)2015/863
Note	1.All parameters NOT specially mentioned are measured at 230VAC input , full load and 25°C of ambient temperature. 2.Ripple & Noise are measured at 20MHz of bandwidth by using a 300mm twisted pair-wire terminated with a 0.1uF & 47 uF parallel capacitor.	

◆ Model list

No.	Model number	Input		Output			Max. Prated(W)
		Voltage (VAC)	Max.Current (A)	Constant current (mA)	Normal working voltage (VDC)	No load working voltage (VDC)	
1	LS-9-200 TRIAC LI	220-240	0.08	200	27-42	55	8.4
2	LS-9-250 TRIAC LI			250	25-38	50	9.5
3	LS-9-300 TRIAC LI			300	20-30	40	9
4	LS-9-350 TRIAC LI			350	17-27	35	9.5
5	LS-9-400 TRIAC LI			400	15-23	33	9.2
6	LS-9-450 TRIAC LI			450	13-20	30	9
7	LS-9-500 TRIAC LI			500	12-19	28	9.5

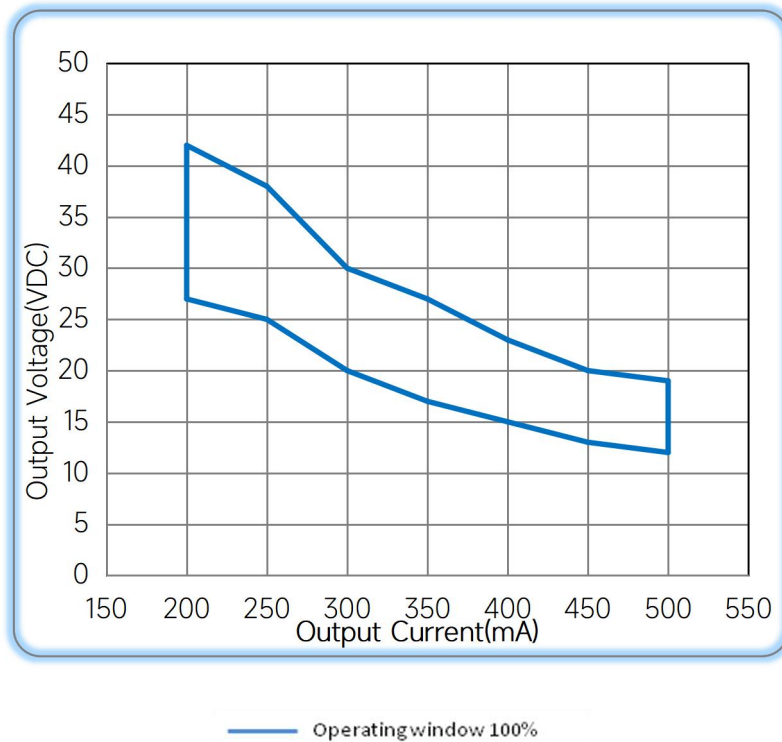
◆ Wiring diagram



◆ 2D diagram

◆ Wiring & Connections

	Specification item	Value (Unit)
Input	Input wire cross-section	0.75...1.5 mm ²
	Input wire gauge.	16...20 AWG
	Input wire strip length	7...9mm
Output	Output wire cross-section	0.5...1.5 mm ²
	Output wire gauge.	16...20 AWG
	Output wire strip length	7...9mm

◆ Operating window



◆ Revision Updates

ITEM	BEFORE	AFTER	VERSION	DATE
Initial			A	2022/05/15

Tel: +86-0757-86256822, +86-0757-86256831

E-mail: sales@eaglerise.com

Website : <https://lighting.eaglerise.com>



EAGLERISE



Manual