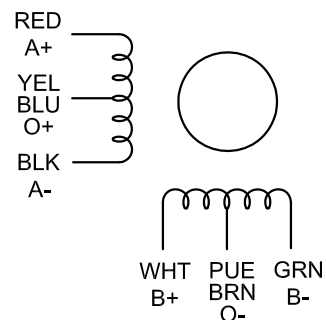
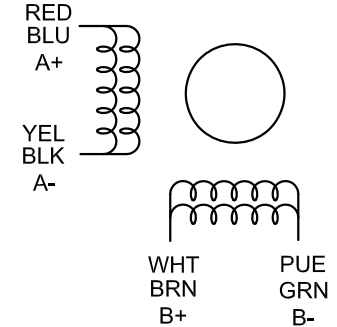


| SPECIFICATION | CONNECTION | UNIPOLAR | BIPOLAR (SERIAL) | BIPOLAR (PARALLEL) |
|--|------------|-------------|------------------|--------------------|
| AMPS/PHASE | | 3.00 | 2.10 | 4.20 |
| RESISTANCE/PHASE(Ohms)@25°C | | 1.30±10% | 2.60±10% | 0.65±10% |
| INDUCTANCE/PHASE(mH)@1KHz | | 3.20±20% | 12.80±20% | 3.20±20% |
| HOLDING TORQUE(Nm)[lb-in] | | 2.20[19.47] | 3.10[27.44] | 3.10[27.44] |
| STEP ANGLE(°) | | 1.80 | | |
| STEP ACCURACY(NON-ACCUM) | | ±5.00% | | |
| ROTOR INERTIA(g-cm ²) | | 840.00 | | |
| WEIGHT(Kg)[lb] | | — | | |
| TEMPERATURE RISE:MAX.80°C (MOTOR STANDSTILL;FOR 2PHASE ENERGIZED) | | | | |
| AMBIENT TEMPERATURE -10°C~50°C[14°F~122°F] | | | | |
| INSULATION RESISTANCE 100 Mohm (UNDER NORMAL TEMPERATURE AND HUMIDITY) | | | | |
| INSULATION CLASS B 130°C[266°F] | | | | |
| DIELECTRIC STRENGTH 500VAC FOR 1MIN.(BETWEEN THE MOTOR COILS AND THE MOTOR CASE) | | | | |
| AMBIENT HUMIDITY MAX.85%(NO CONDENSATION) | | | | |

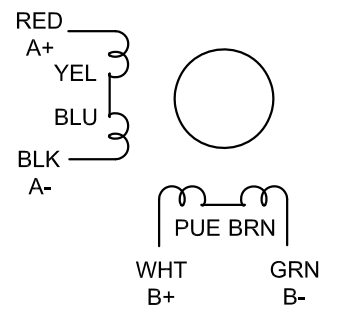
UNIPOLAR



BIPOLAR PARALLEL



BIPOLAR SERIES



| | | |
|-------|-----------|------------|
| APVD | | 10.30.2020 |
| CHKD | | |
| 1:1.5 | DRN | |
| SCALE | SIGNATURE | DATE |

STEPPER MOTOR

24HS34-3008D