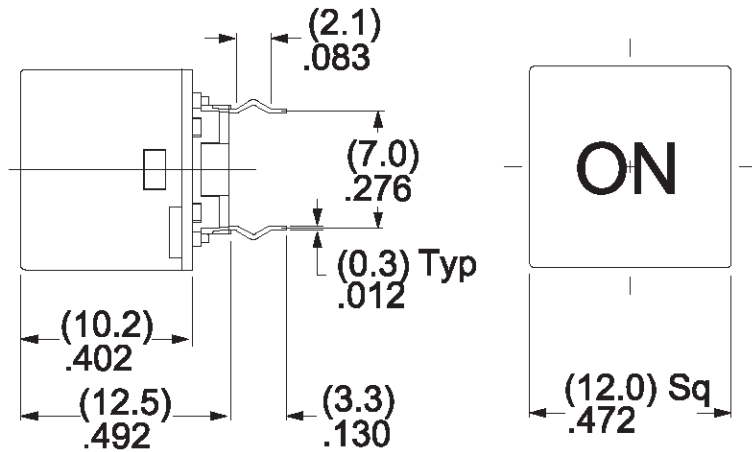


惠州宏利源电器有限公司

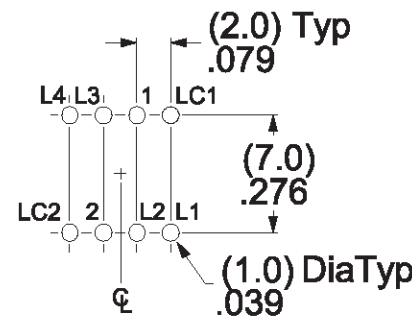
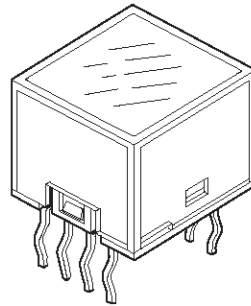
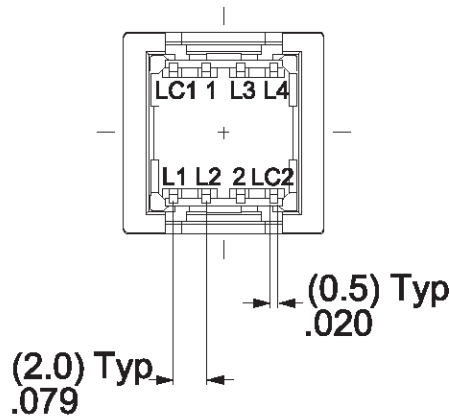
HONYONE ELECTRICAL APPLIANCE CO.,LTD

TS9

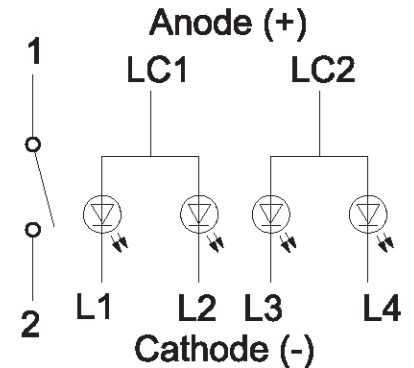


SPECIFICATIONS

Circuit	:SPST
Current rating	:0.1A
Voltage rating	:28VDC
Dielectric withstanding voltage	:250VAC for 1 minute
Contact resistance	:50mΩ Max. (Initial)
Insulation resistance	:500MΩ Min.
Operating force	:150± 100gf
Total travel	:1.5mm± 0.4mm
Operating life	:500,000 cycles Min
Solder specifications	:260° C for 5 seconds
Function	:Momentary
Operating temperature	:-25° C ~ +50° C



CIRCUIT



P.C.B. LAYOUT

				公差 TOLERANCES		.X±0.3		.XX±0.15		角度 ANGLE ±1°		单位 DIMENSION UNIT mm.	
				版本 VERSION	A0	比例尺 SCALE	NONE	日期 DATE	2010.11.01	品名 TITLE		图号 DRAWING NO	
				核准	Richard	核对	Sinc	绘图	Sinc	TS9-T-RG-1		TS9-T-RG-1_CP_A0	
版本 VER.	变更说明 CHANGE DESCRIPTION	日期 DATE	ECN NO.	APPROVED BY	Richard	CHECKED BY	Sinc	DRAWN BY	Sinc	TS9-T-RG-1		TS9-T-RG-1_CP_A0	