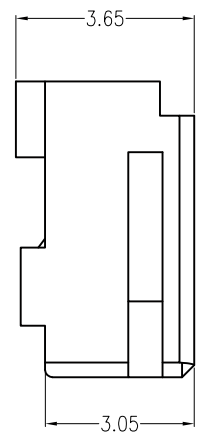
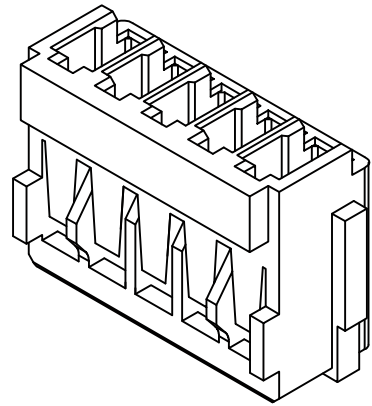
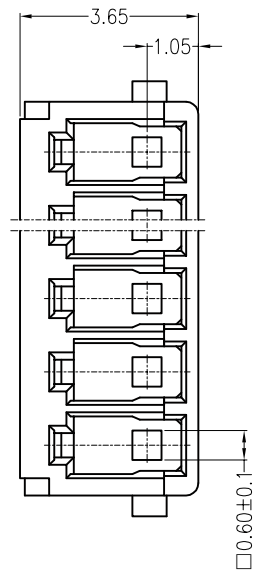
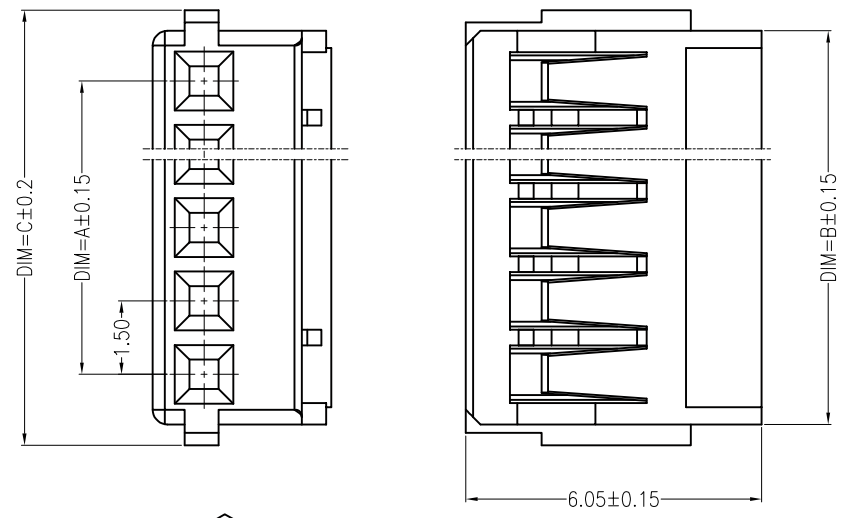


REV	ECN No.	DESCRIPTION	DESIGN	DATE
A0		Release		2016.05.14



主要技术参数 Main Specifications

- 线 数 (Poles): 02 to 08
- 接触电阻 (Contact resistance): $\leq 20m\Omega$
- 绝缘电阻 (Insulation resistance): $\geq 500M\Omega$
- 额定电压 (Rated voltage): 50V AC DC
- 额定电流 (Rated current): 1.5A AC DC
- 耐 电压 (Withstand Voltage): 500V AC/minute
- 温度范围 (Temperature Range): $-25^{\circ}C \sim +85^{\circ}C$



Circuits	Dimensions (mm)		
	DIM=A	DIM=B	DIM=C
02	1.50	3.55	4.40
03	3.00	5.05	5.90
04	4.50	6.55	7.40
05	6.00	8.05	8.90
06	7.50	9.55	10.40
07	9.00	11.05	11.90
08	10.50	12.55	13.40

C				
B				
A	HOUSING	1 PCS	PA66	UL 94V-0, COLOR:white
ITEM	COMPONENT	Q'TY	MATERIAL	FINISH
LEDscconn				TITLE: 1.5Pitch Housing
X.±0.5	X.±5'	USE: CUSTOMER	PART NO.:	
.X±0.3	.X±2'	APPD:		
.XX±0.25	.XX±1'	CHKD:	DWG NO.:	
--	--	DR:	SCALE 1 : 1	SHEET 1 / 1
UNITS: mm				