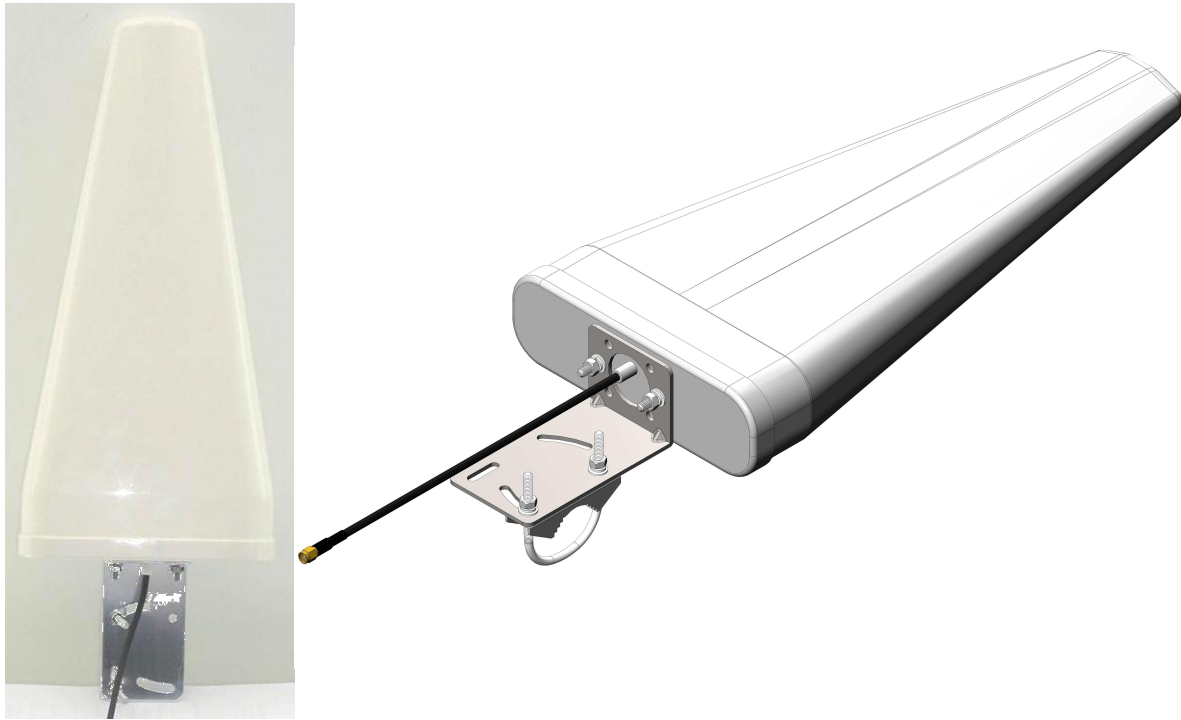
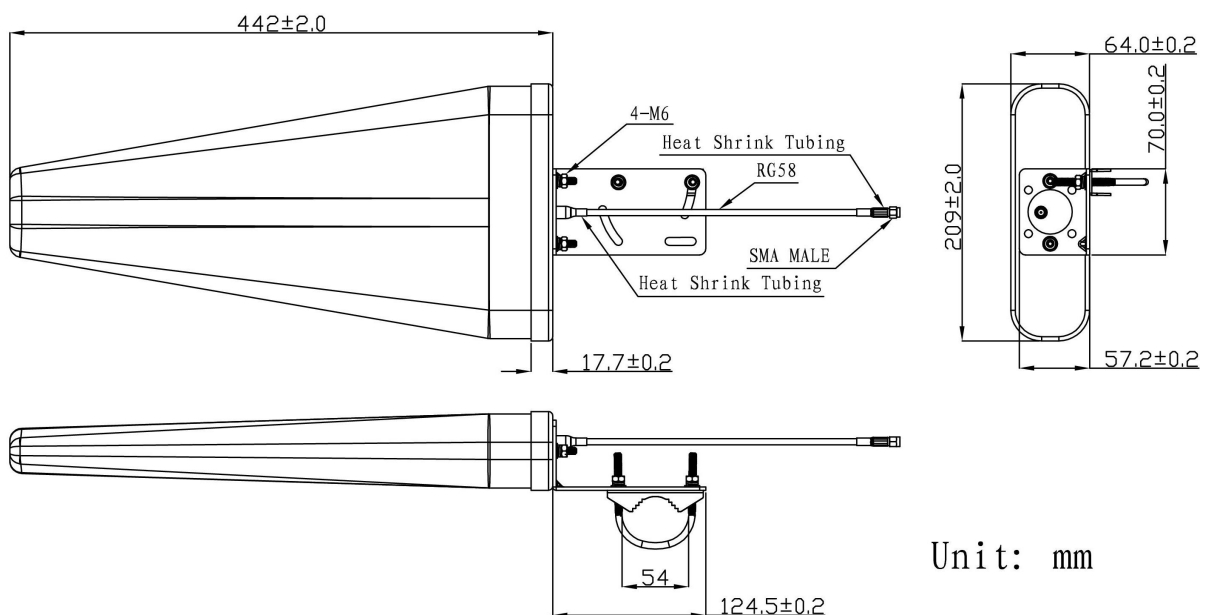


# GSM Antenna JCG101



## DIMENSIONS



Unit: mm

JIAXING JINCHANG ELECTRONIC TECHNOLOGY CO.,LTD

Add: 398#, Zhenye Road, South Street, Jiaxing, Zhejiang, China

Http:// www.jinchanggps.com

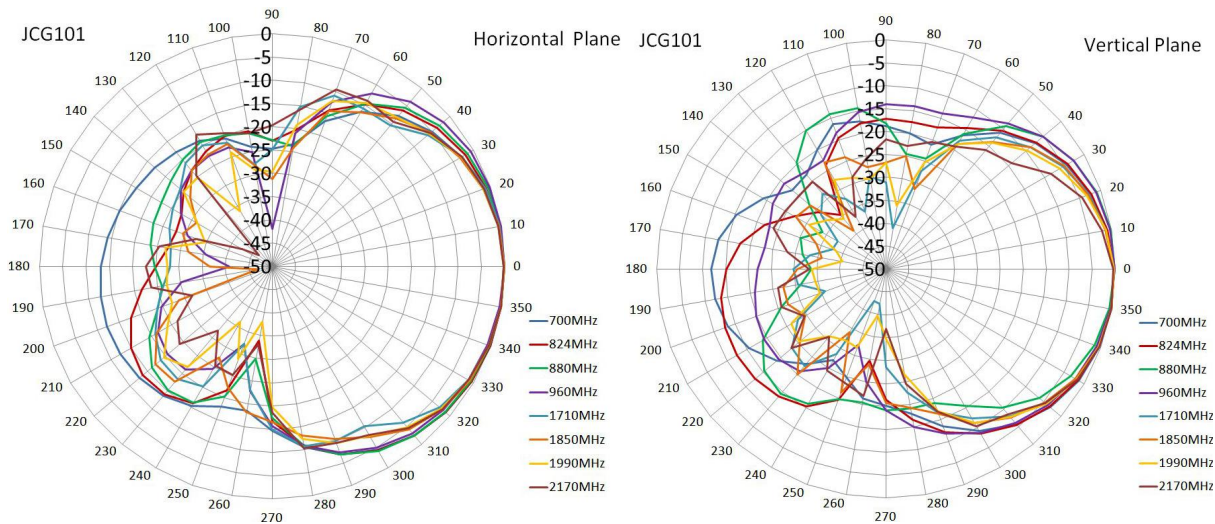
E-mail: jcgps@vip.163.com

Tel: 86-0573-83692157/83692605/83958637 Fax: 86-0573-83958635

## SPECIFICATIONS

Item	Specifications	
WIFI&GSM Antenna	Frequency Range	800~2500MHz
	Polarization	Linear
	Gain	11dBi
	V.S.W.R	<2.0
	Impedance	50Ω
Mechanical	Cable	RG58
	Connector	N/SMA/or others
	Radome Material	ABS
	Mounting Method	Screw
Environmental	Operating Temperature	-40℃~+85℃
	Relative Humidity	Up to 95%
	Environmentally Friendly	ROHS Compliant

## Radiation Pattern





Jinchang Electron Global Service

