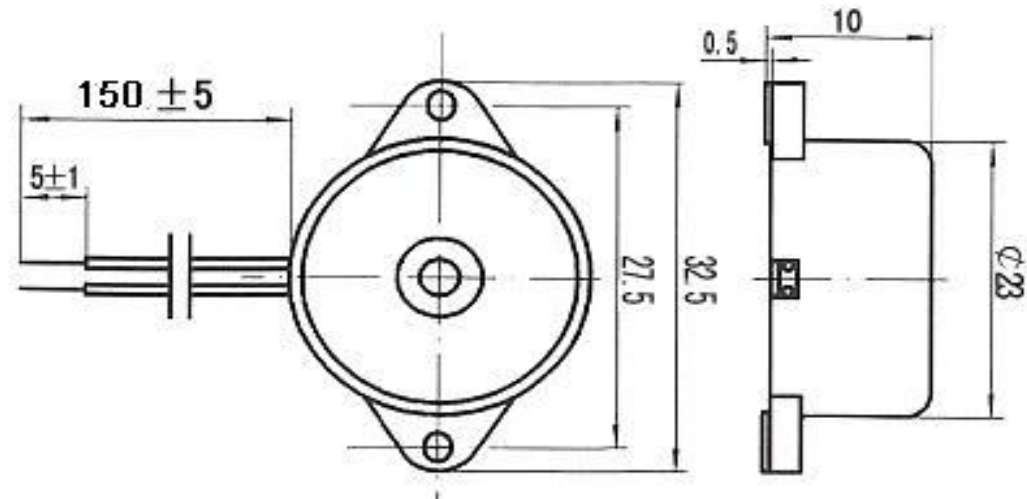
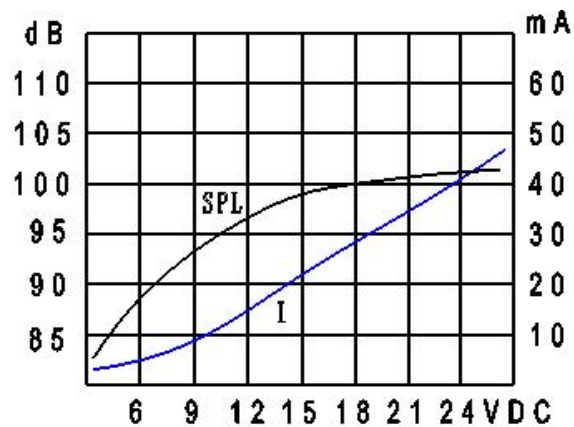
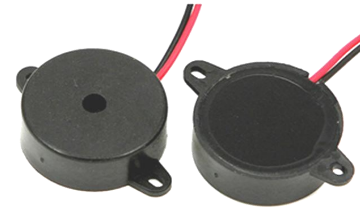


| SPECIFICATION | | |
|---------------|-----------------------------|---------------------------------|
| 1 | Model No. | BUZ-EPB2310W 150-TA-12-3.5-R |
| 2 | Rated Voltage (VDC) | 12 |
| 3 | Operating Voltage (VDC) | 3~20 |
| 4 | *Rated Current (mA) | ≤15 |
| 5 | *Sound Output at 10 cm (dB) | ≥90 |
| 6 | *Resonant Frequency (Hz) | 3500±500 |
| 7 | Lead Wire | UL1007AWG28 |
| 8 | Operating Temperature (°C) | -20 ~ +65 |
| 9 | Storage Temperature (°C) | -30 ~ +75 |
| 10 | Weight (g) | 4 |
| 11 | Housing Material | ABS |
| | RoHS | Yes |

| REVISION HISTORY | | | |
|------------------|---------------------------|-----------|----------|
| LTR | DESCRIPTION | DATE | APPROVED |
| - | RELEASED FROM ENGINEERING | 9/23/2003 | Y M |
| A | | | |
| B | | | |
| C | | | |



NOTES:

- 1.ALL DIMENSIONS ARE IN MILLIMETERS
- 2.SPECIFICATIONS SUBJECT TO CHANGE WITHOUT NOTICE

| SIZE | Designed by | Date | Checked by | Date | Approved by | Date | Drawed date |
|------|-------------|------|------------|-----------------------------|-------------|--------|-------------|
| | A4 | | | BUZ-EPB2310W150-TA-12-3.5-R | | BUZZER | Edition |