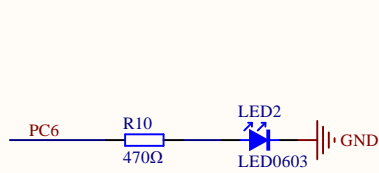
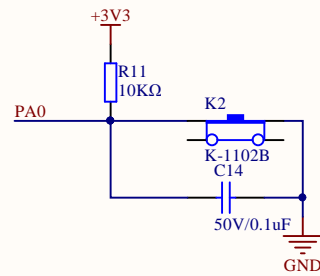


### LED



### KEY



### Extension Pin

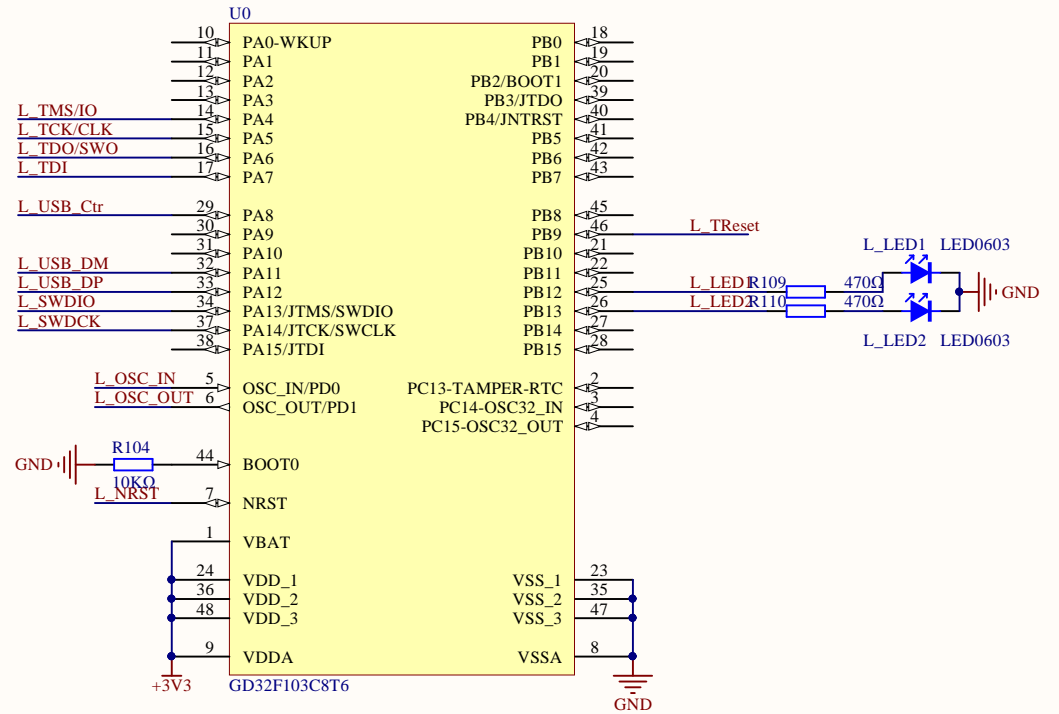
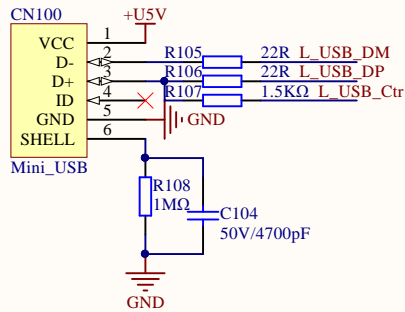
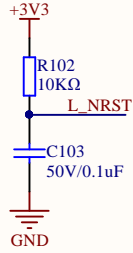
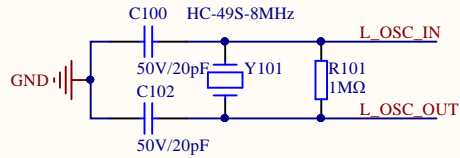
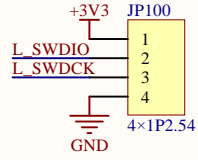
JP5			
PC1	1	2	PC0
PC3	3	4	PC2
PA2	5	6	PA1
PA4	7	8	PA3
PA6	9	10	PA5
PC4	11	12	PA7
PB0	13	14	PC5
PE7	15	16	PB1
PE9	17	18	PE8
PE11	19	20	PE10
PE13	21	22	PE12
PE15	23	24	PE14
PB11	25	26	PB10
PB13	27	28	PB12
PB15	29	30	PB14
PD9	31	32	PD8
PD11	33	34	PD10
PD13	35	36	PD12
PD15	37	38	PD14

HEADER 19X2

JP6			
1	2		+3V3
3	4	PC13	
5	6	PE6	
7	8	PE4	
9	10	PE2	
11	12	PE0	
13	14	PB8	
15	16	PB6	
17	18	PB4	
19	20	PD7	
21	22	PD5	
23	24	PD2	
25	26	PD0	
27	28	PC11	
29	30	PA15	
31	32	PA13	
33	34	PA9	
35	36	PC9	
37	38	PC7	

HEADER 19X2

Company Name: GigaDevice		
File Name: Extension		
Revision: 1.0	Data: 2022-3	Author: XuFei



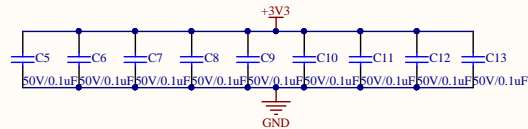
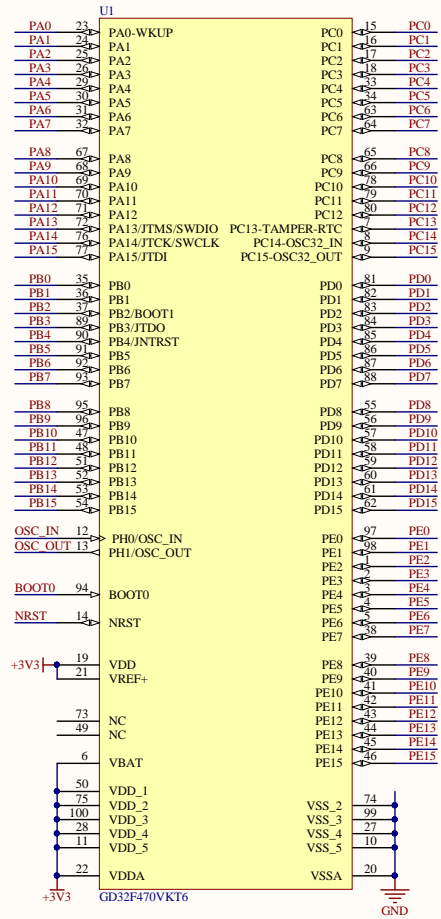
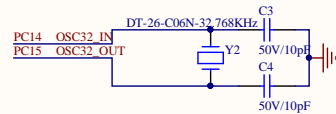
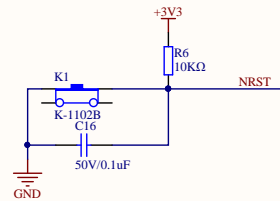
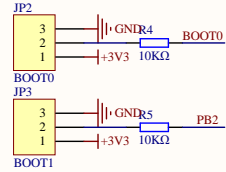
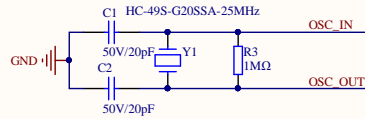
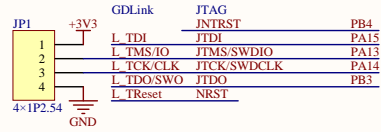
Company Name: GigaDevice

File Name: GDLink

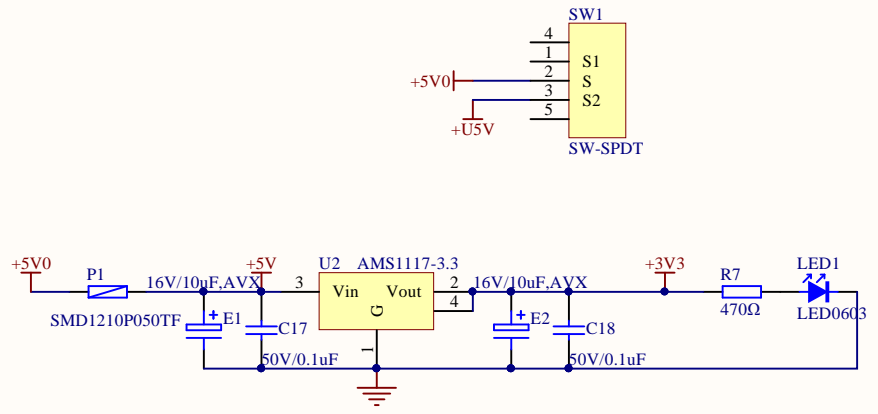
Revision: 1.0

Data: 2022-3

Author: XuFei



Company Name: GigaDevice		
File Name: MCU		
Revision: 1.0	Data: 2022-3	Author: XuFei



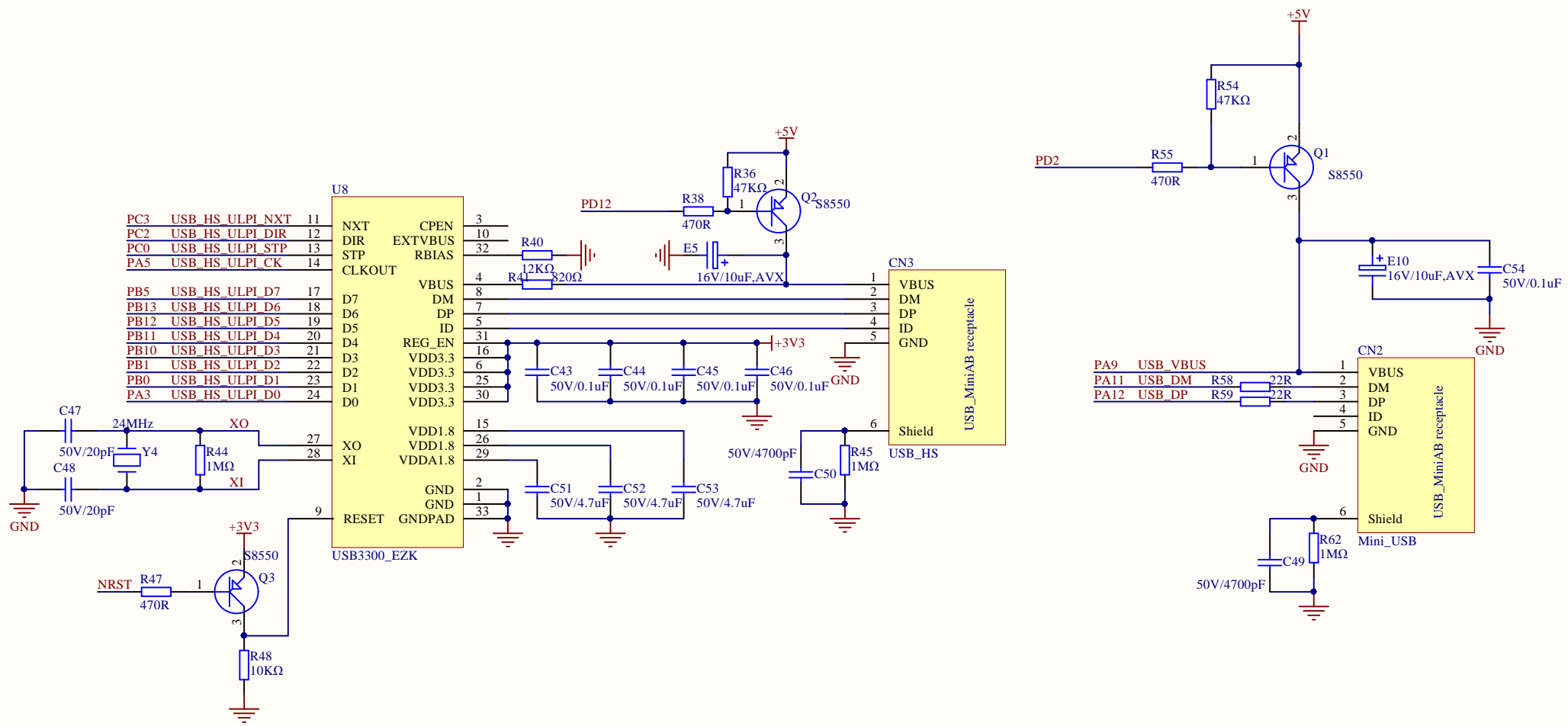
Company Name: GigaDevice

File Name: Power

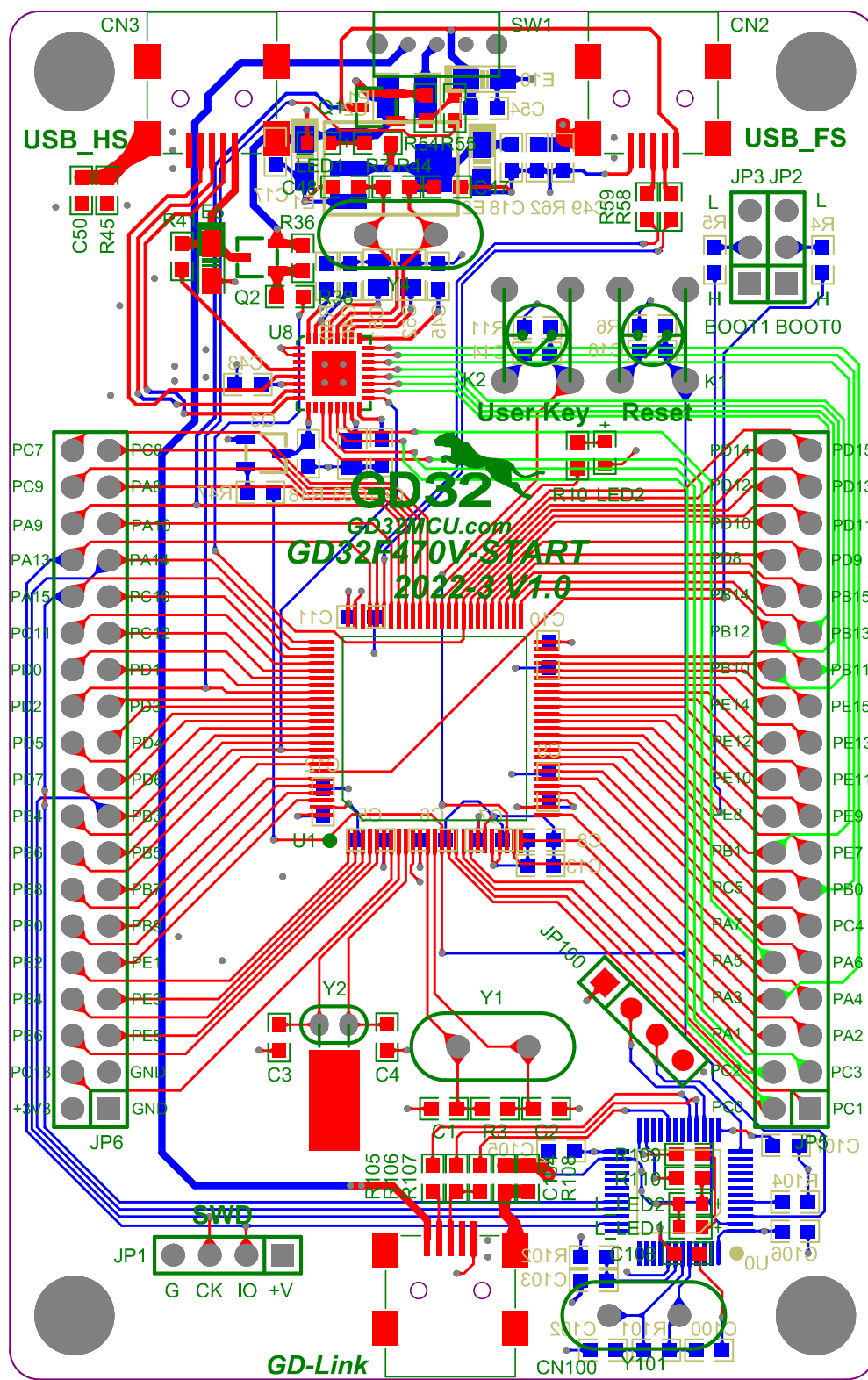
Revision: 1.0

Data: 2022-3

Author: XuFei



Company Name: GigaDevice		
File Name: USB		
Revision: 1.0	Data: 2022-3	Author: Xufei



USB\_HS

USB\_FS

**GD32**  
GD32MCU.com  
**GD32F470V-START**  
2012-3 V1.0

- PC7, PC9, PA9, PA13, PA15, PC11, PD0, PD2, PD5, PD7, PB4, PB6, PB8, PE0, PE2, PE4, PE6, PC13, +3V3
- PC8, PA8, PA10, PA14, PC10, PC12, PB4, PB6, PB8, PE1, PE3, PE5, PE7, GND, GND
- PD14, PD12, PD10, PD8, PD6, PD4, PD2, PE4, PE2, PE0, PC5, PC3, PC1, PD15, PD13, PD11, PD9, PD7, PD5, PD3, PD1, PB14, PB12, PB10, PB8, PB6, PB4, PB2, PB0, PC4, PC2, PC0
- PD15, PD13, PD11, PD9, PD7, PD5, PD3, PD1, PB15, PB13, PB11, PB9, PB7, PB5, PB3, PB1, PE15, PE13, PE11, PE9, PE7, PE5, PE3, PE1, PC6, PC4, PC2, PC0

SWD  
JP1  
G CK IO +V

GD-Link