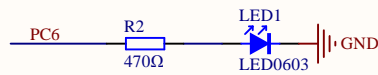
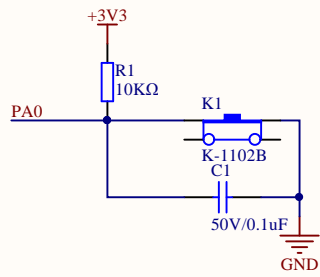


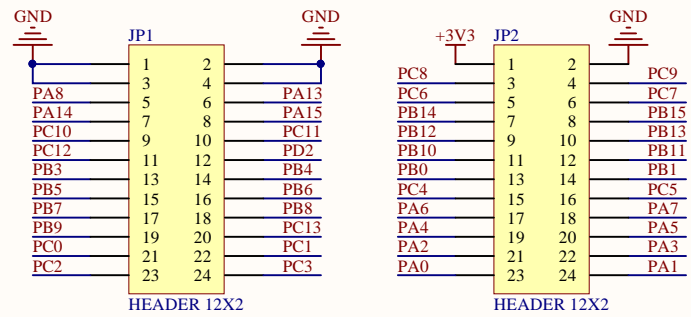
### LED



### KEY



### Extension Pin



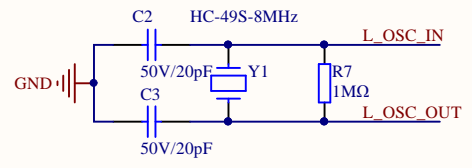
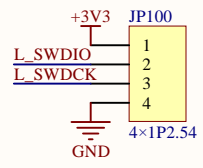
Company Name: GigaDevice

File Name: Extension

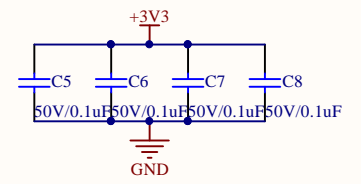
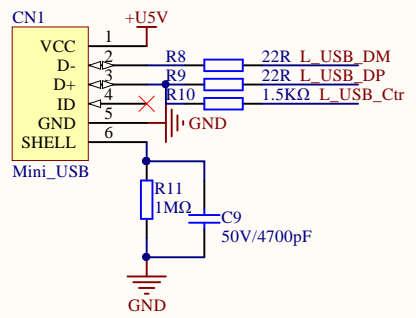
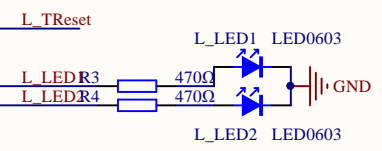
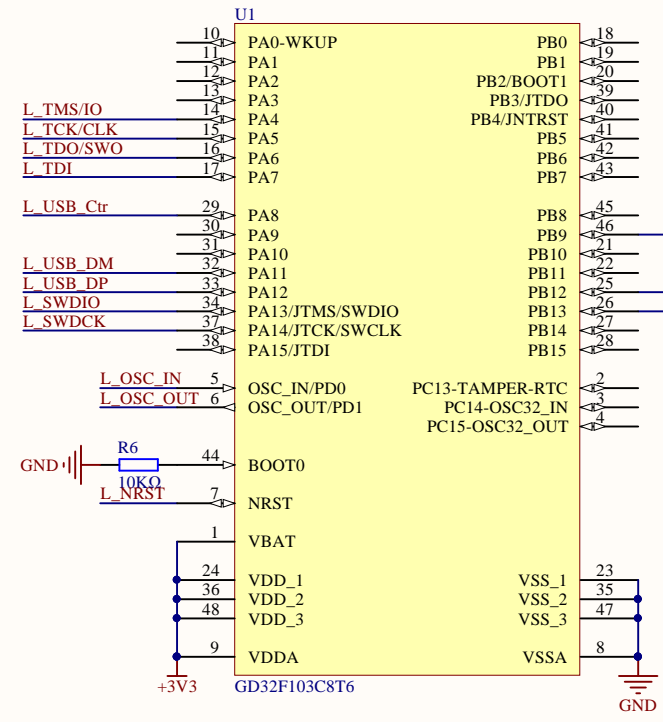
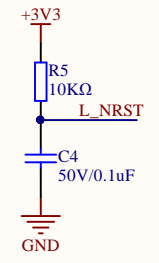
Revision: 1.0

Data: 2022-3

Author: Xufei

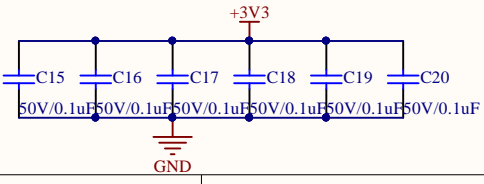
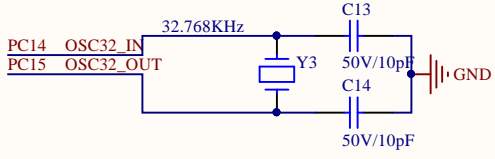
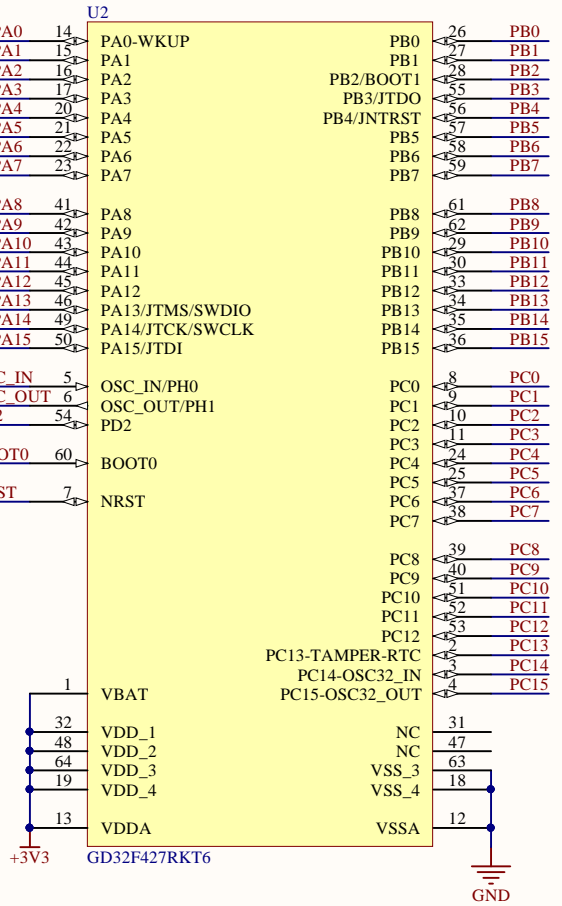
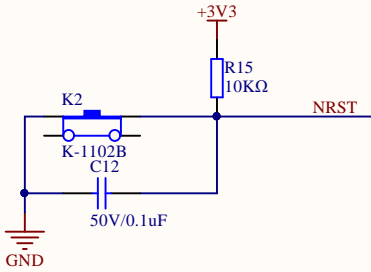
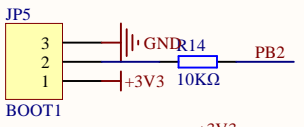
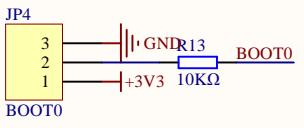
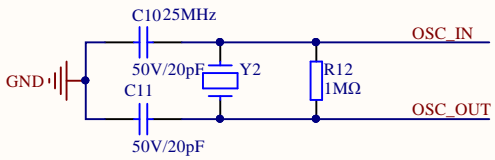


### Reset



|                          |              |               |
|--------------------------|--------------|---------------|
| Company Name: GigaDevice |              |               |
| File Name: GD-Link       |              |               |
| Revision: 1.0            | Data: 2022-3 | Author: Xufei |

|           |             |      |
|-----------|-------------|------|
| GDLINK    | JTAG        |      |
| L_TDI     | JTRST       | PB4  |
| L_TMS/IO  | JTDI        | PA15 |
| L_TCK/CLK | JTMS/SWDIO  | PA13 |
| L_TDO/SWO | JTCK/SWDCLK | PA14 |
| L_TReset  | NRST        | PB3  |



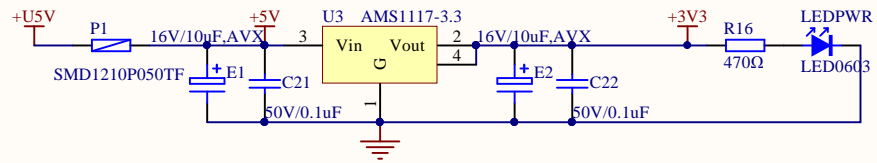
Company Name: GigaDevice

File Name: MCU

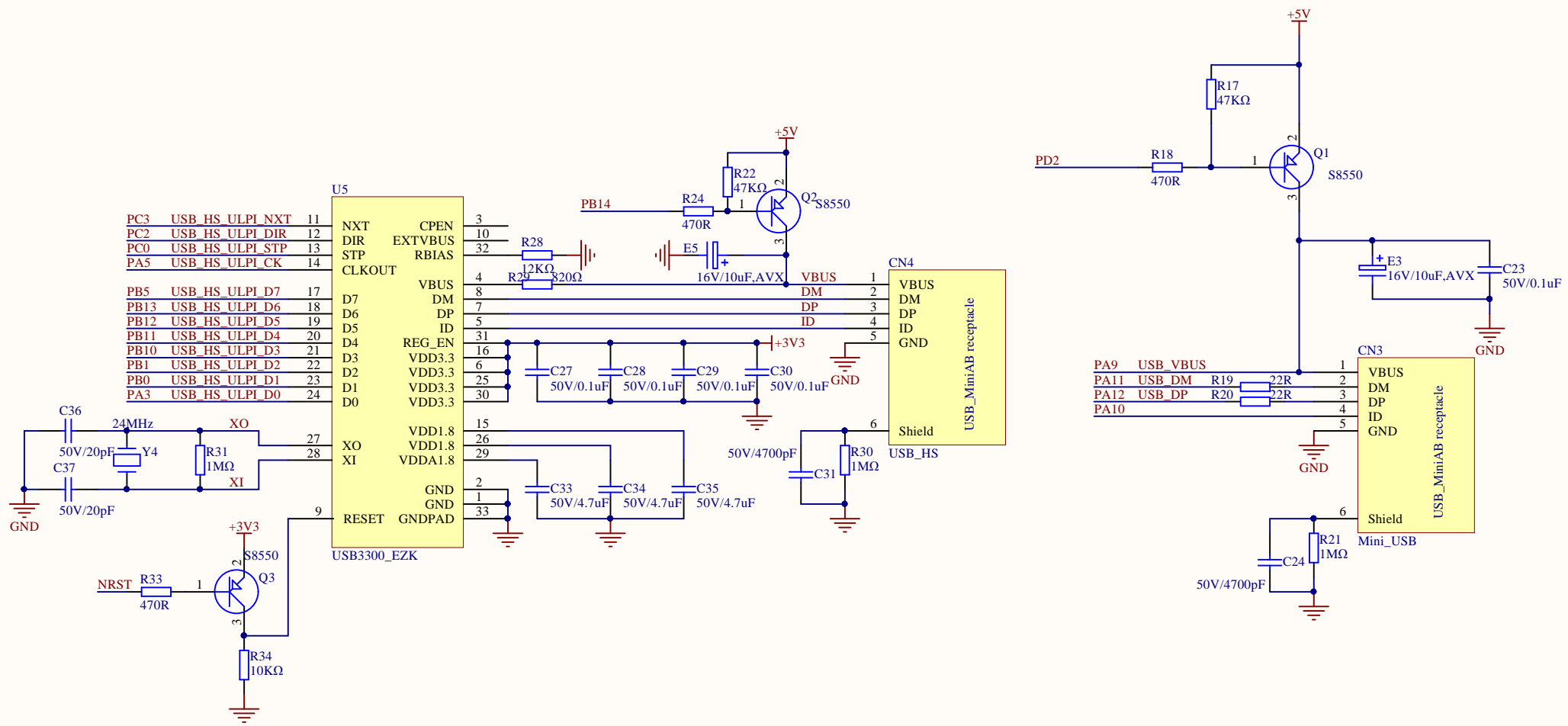
Revision: 1.0

Data: 2022-3

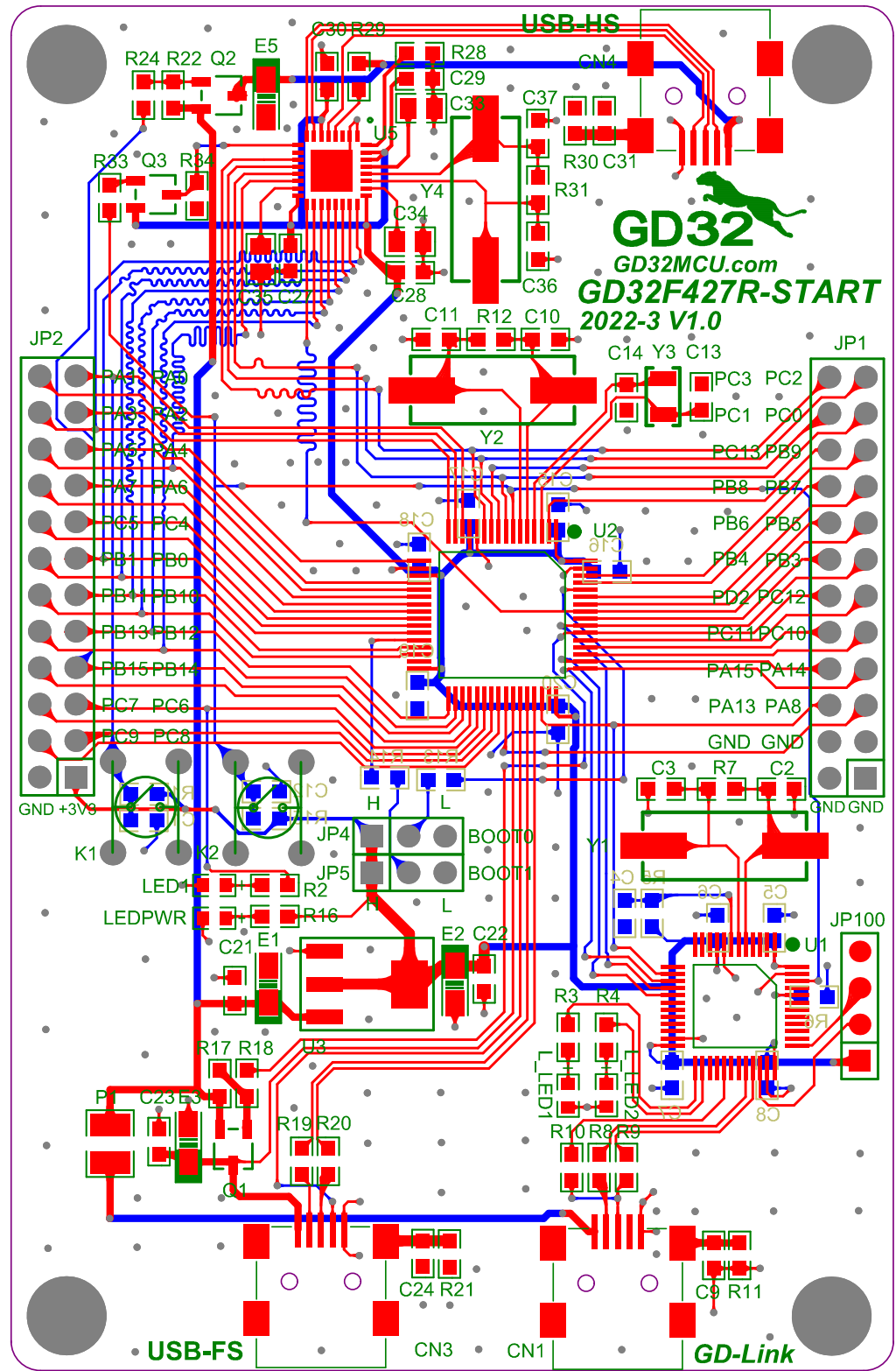
Author: Xufei



|                          |              |               |
|--------------------------|--------------|---------------|
| Company Name: GigaDevice |              |               |
| File Name: Power         |              |               |
| Revision: 1.0            | Data: 2022-3 | Author: Xufei |



|                          |              |               |
|--------------------------|--------------|---------------|
| Company Name: GigaDevice |              |               |
| File Name: USB           |              |               |
| Revision: 1.0            | Data: 2022-3 | Author: Xufei |



**GD32**  
GD32MCU.com  
**GD32F427R-START**  
2022-3 V1.0

USB-FS

CN3 CN1

GD-Link