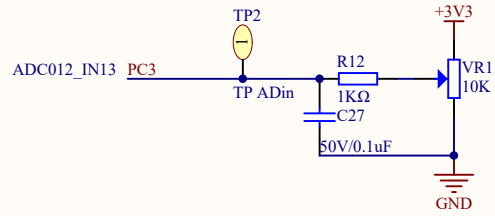


ADC



DAC

PA5 is an AFIO, please refer to SPI Schematic for right config



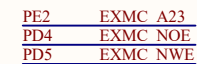
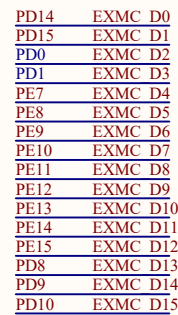
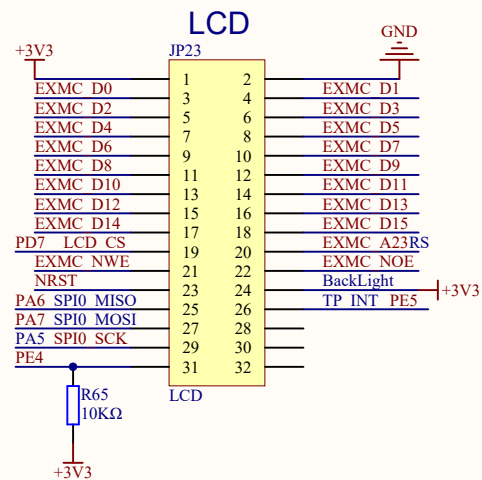
Company Name: GigaDevice

File Name: AD_DA

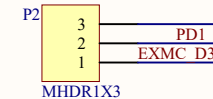
Revision: 1.0

Data: 2018-1

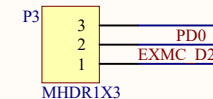
Author: XuFei



Short P2(1,2) for EXMC function

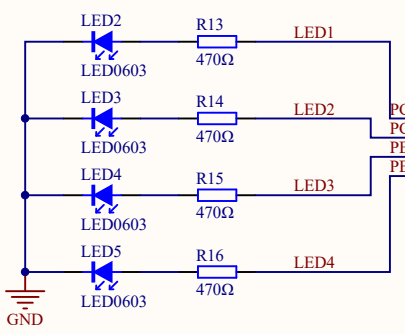


Short P3(1,2) for EXMC function

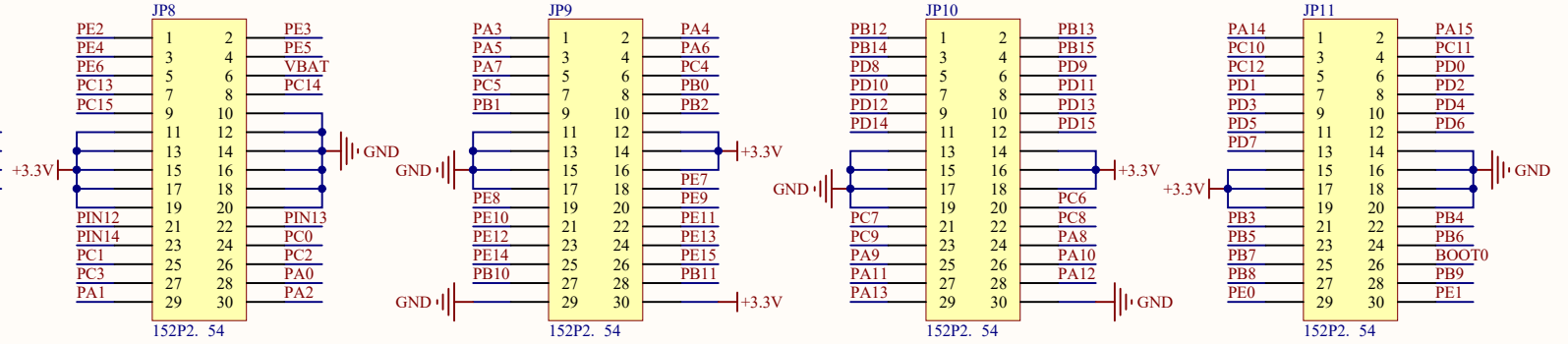


Company Name: GigaDevice		
File Name: EXMC		
Revision: 1.0	Data: 2018-1	Author: XuFei

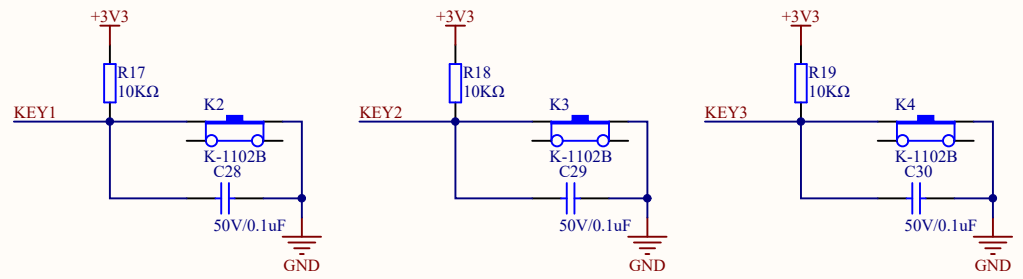
LED



Extension Pin



KEY



- PA0 KEY1
- PC13 KEY2
- PB14 KEY3

Company Name: GigaDevice

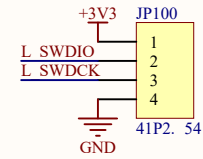
File Name: Extension

Revision: 1.0

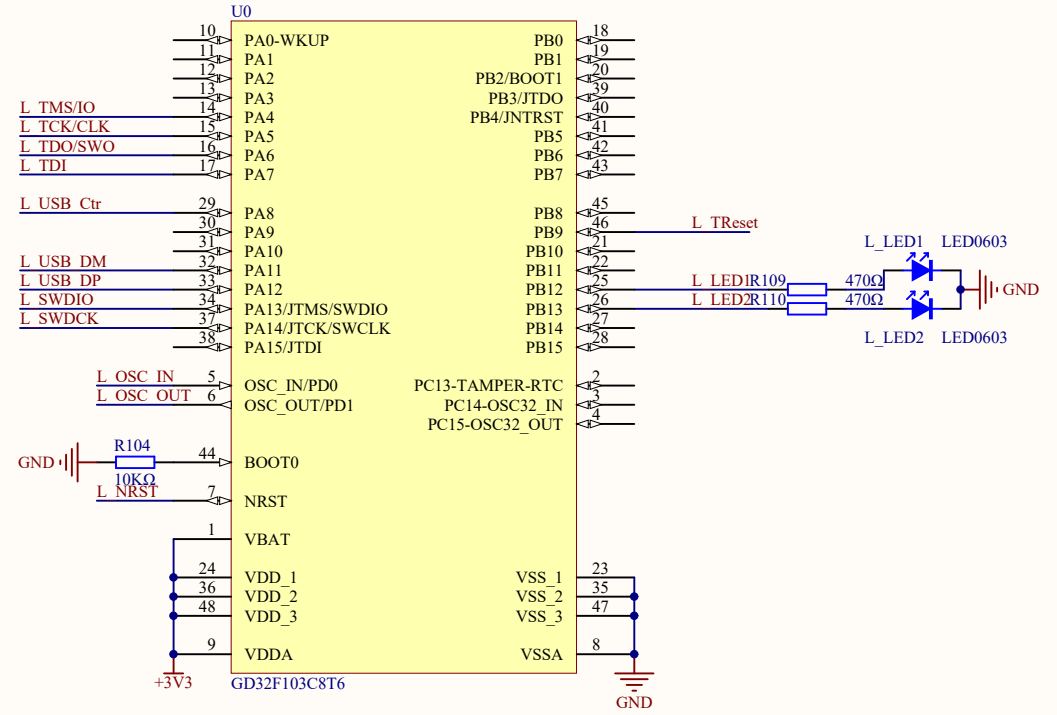
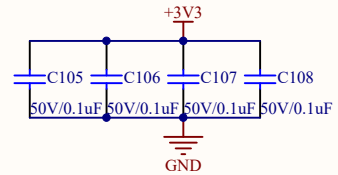
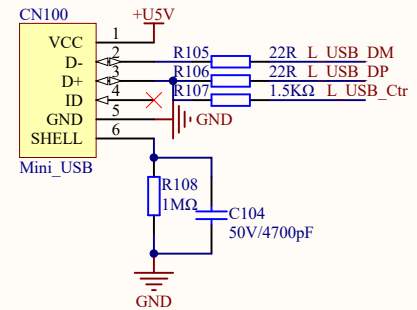
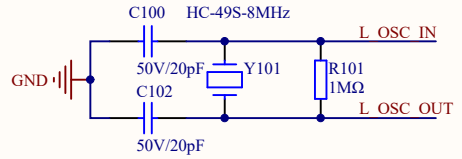
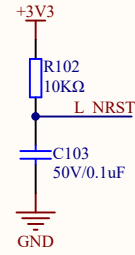
Data: 2018-1

Author: XuFei

MCU SWD



Reset



Company Name: GigaDevice

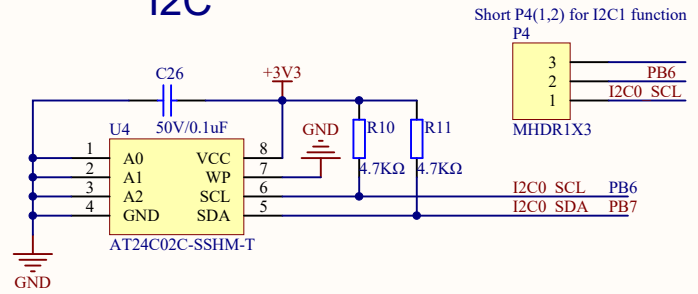
File Name: GDLink

Revision: 1.0

Data: 2016-03

Author: XuFei

I2C



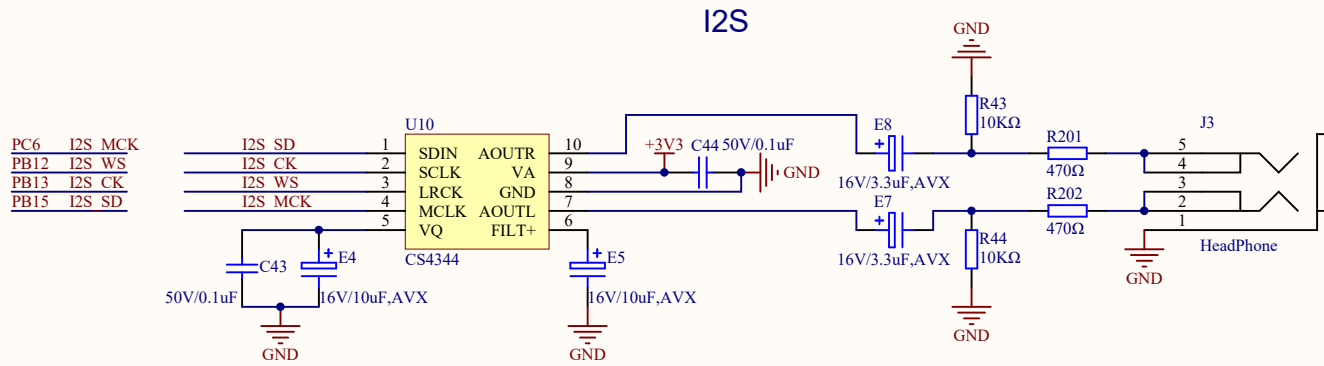
Company Name: GigaDevice

File Name: I2C

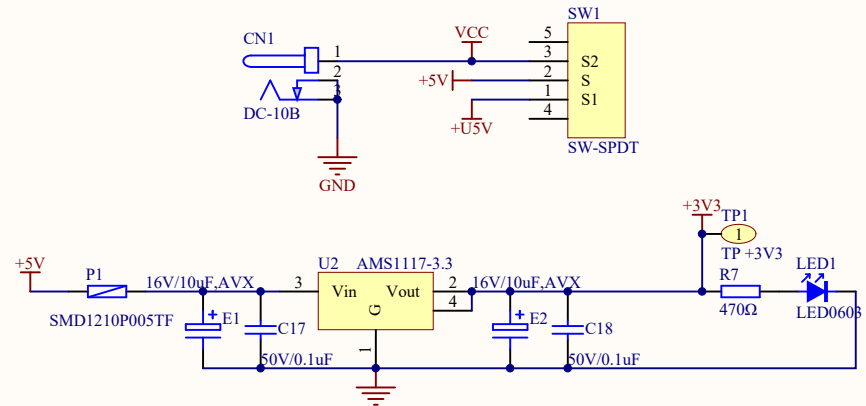
Revision: 1.0

Data: 2018-1

Author: XuFei



Company Name: GigaDevice		
File Name: I2S		
Revision: 1.0	Data: 2018-1	Author: Lixin



Company Name: GigaDevice

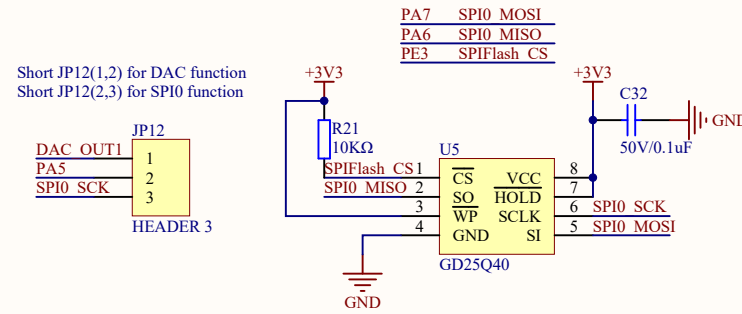
File Name: Power

Revision: 1.0

Data: 2018-1

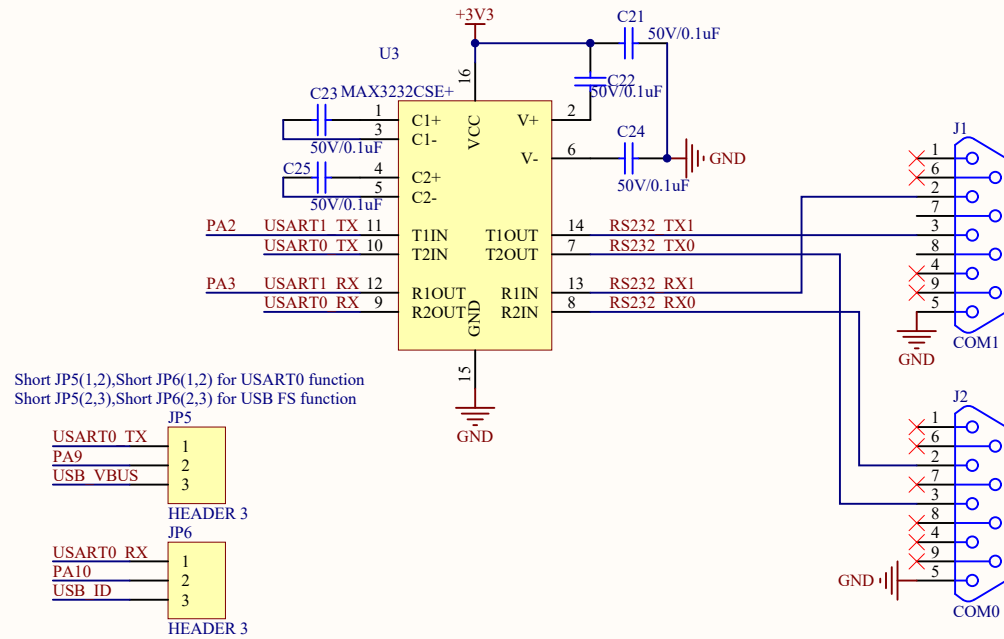
Author: XuFei

SPI Flash

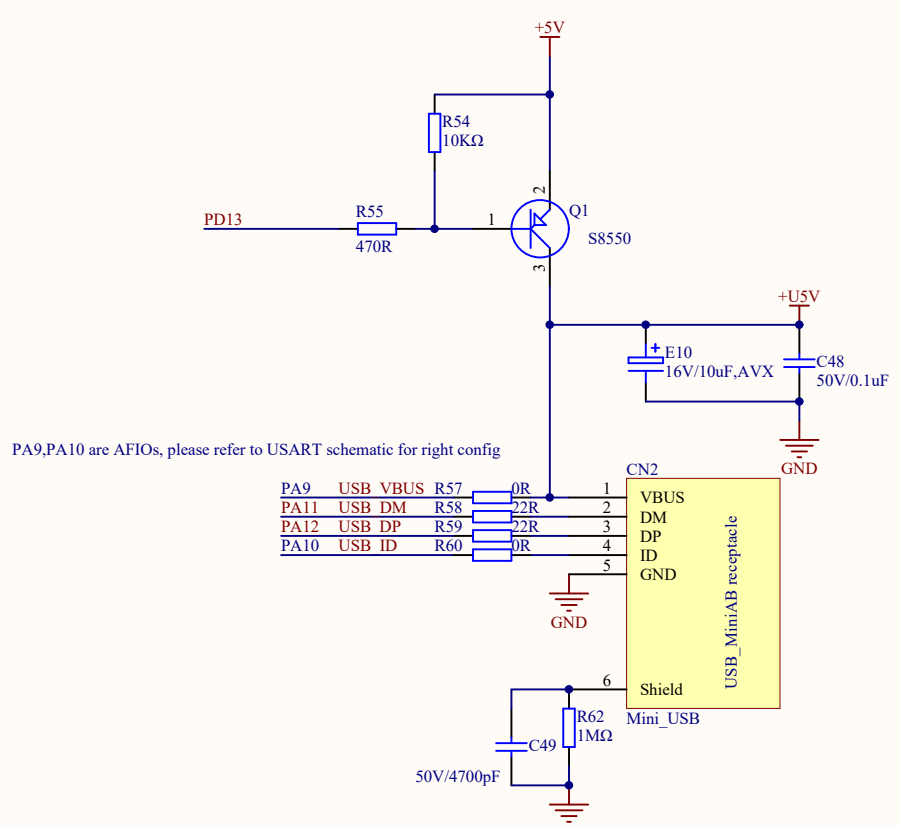


Company Name: GigaDevice		
File Name: SPI		
Revision: 1.0	Data: 2018-1	Author: XuFei

USART0/USART1



Company Name: GigaDevice		
File Name: USART		
Revision: 1.0	Data: 2018-1	Author: XuFei



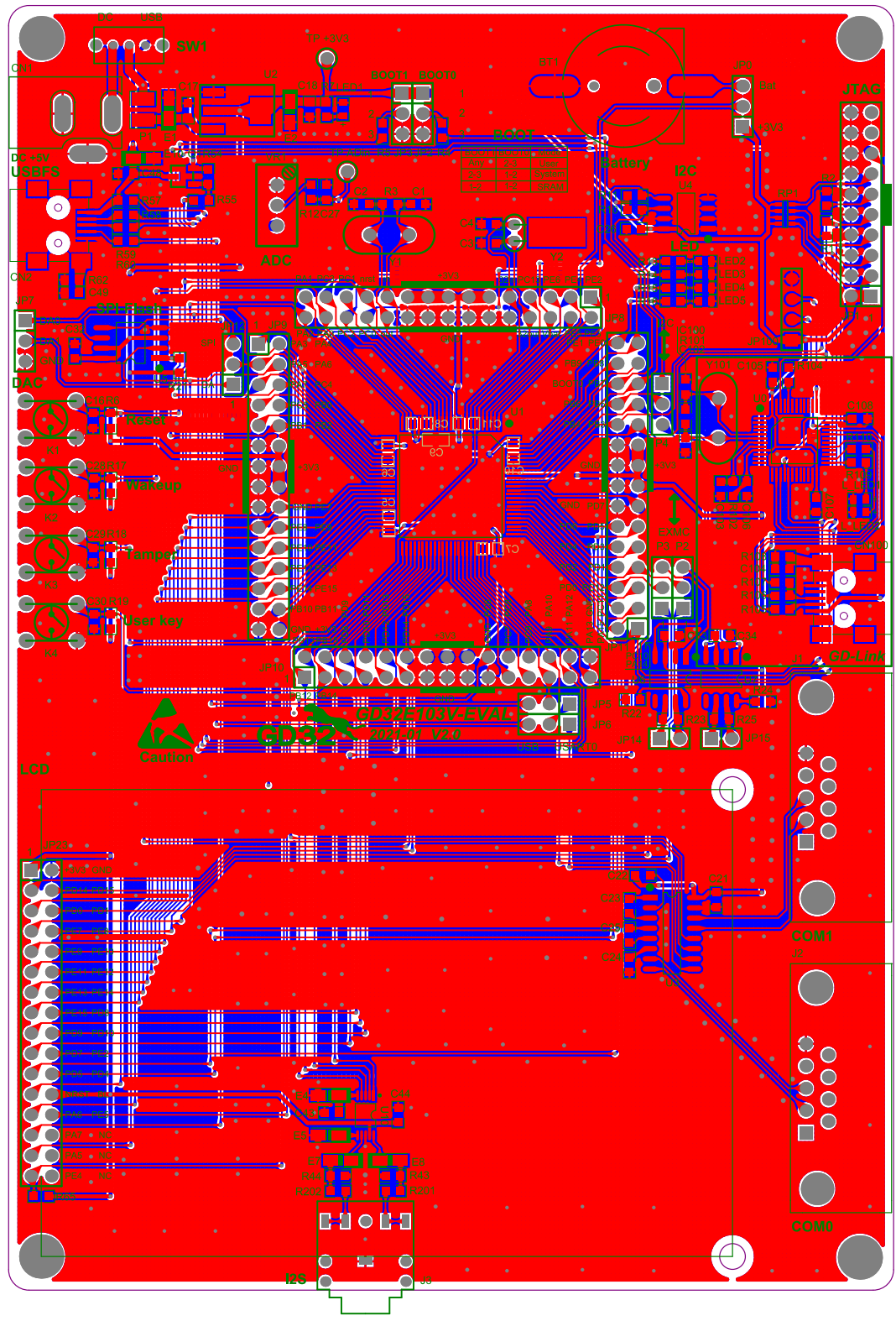
Company Name: GigaDevice

File Name: USBFS

Revision: 1.1

Data: 2018-1

Author: Xufei



Bootloader	Bootloader	User
ADV	2-3	System
2-3	1-2	
LCZ	1-2	SRAM

GD-Link
GD32-03V-5V-16
2021.01 V2.0

Caution

LCD

COM1

J2

COM0

I2S

93