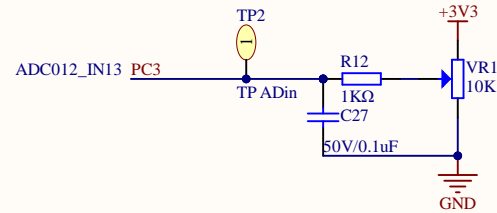
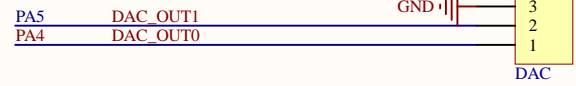


### ADC



### DAC

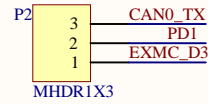
PA5 is an AFIO, please refer to SPI Schematic for right config



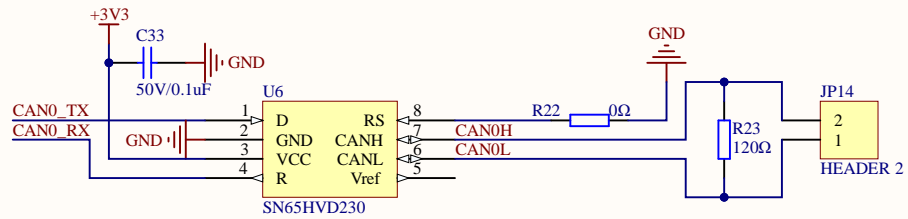
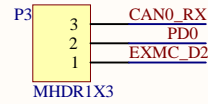
Company Name: GigaDevice		
File Name: AD_DA		
Revision: 1.0	Data: 2013-8-20	Author: XuFei

### CAN

Short P2(1,2) for EXMC function  
Short P2(2,3) for CAN0 function

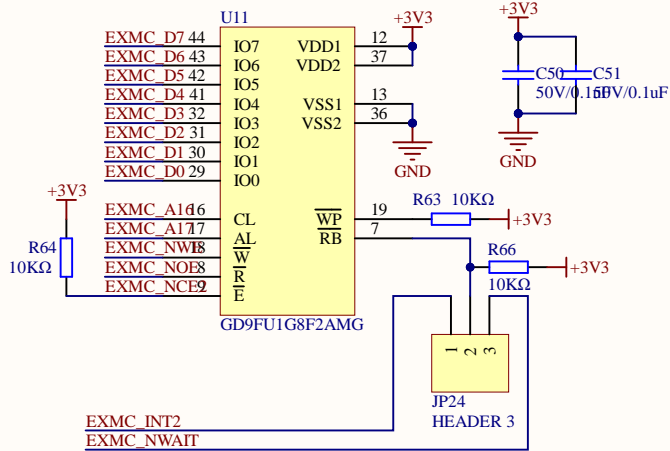


Short P3(1,2) for EXMC function  
Short P3(2,3) for CAN0 function

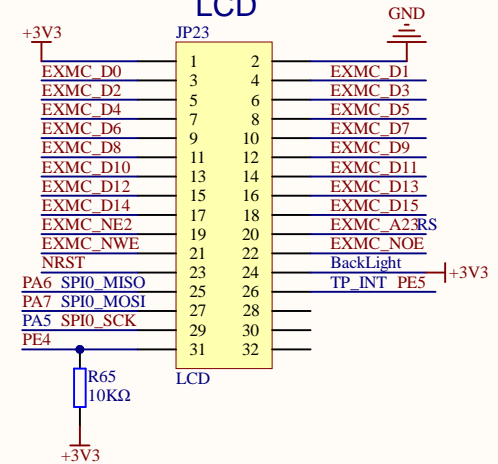


Company Name: GigaDevice		
File Name: CAN		
Revision: 1.0	Data: 2013-7-24	Author: XuFei

### Nand Flash



### LCD



PD0,PD1 are AFIOs, please refer to CAN schematic for right config

PD14	EXMC_D0	PD11	EXMC_A16
PD15	EXMC_D1	PD12	EXMC_A17
PD0	EXMC_D2	PE2	EXMC_A23
PD1	EXMC_D3	PD4	EXMC_NOE
PE7	EXMC_D4	PD5	EXMC_NWE
PE8	EXMC_D5	PD6	EXMC_NWAIT
PE9	EXMC_D6	PD7	EXMC_NCE2
PE10	EXMC_D7	PG6	EXMC_INT2
PE11	EXMC_D8	PG9	EXMC_NE2
PE12	EXMC_D9		
PE13	EXMC_D10		
PE14	EXMC_D11		
PE15	EXMC_D12		
PD8	EXMC_D13		
PD9	EXMC_D14		
PD10	EXMC_D15		

Company Name: GigaDevice

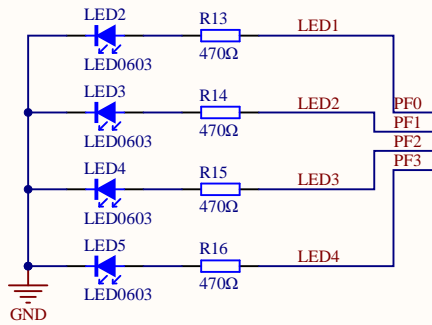
File Name: EXMC

Revision: 1.0

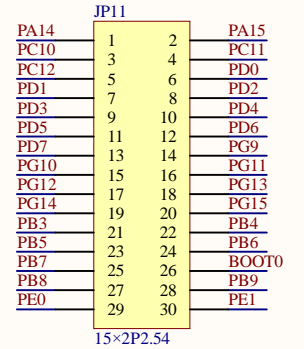
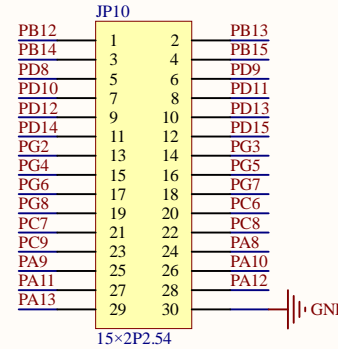
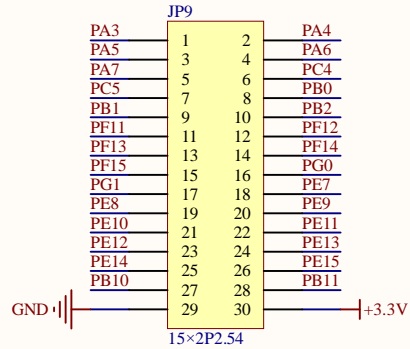
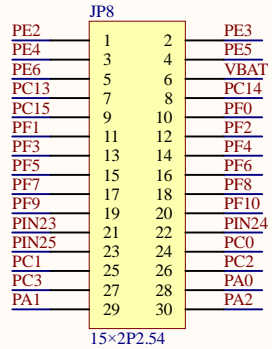
Data: 2019-9

Author: XuFei

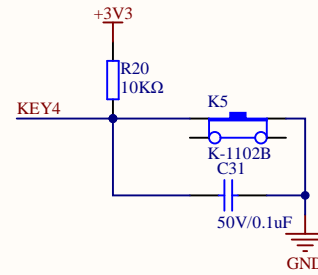
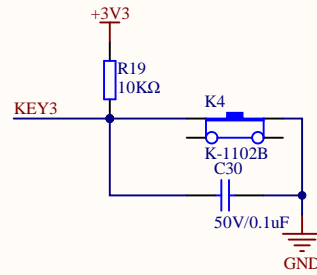
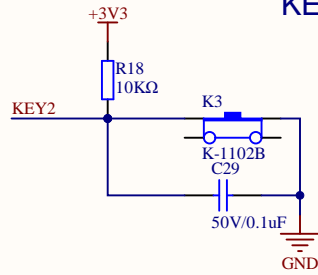
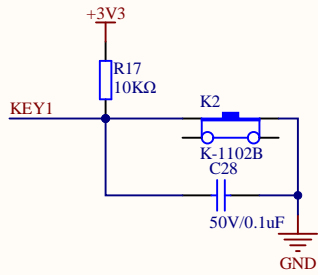
### LED



### Extension Pin



### KEY



- PA0 KEY1
- PC13 KEY2
- PF5 KEY3
- PF4 KEY4

Company Name: GigaDevice

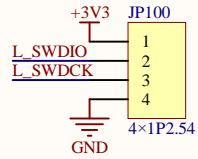
File Name: Extension

Revision: 1.0

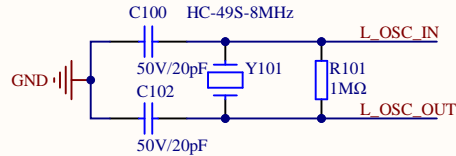
Data: 2013-8-20

Author: XuFei

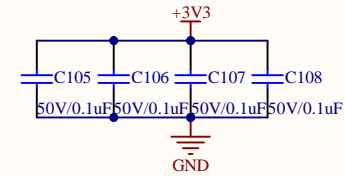
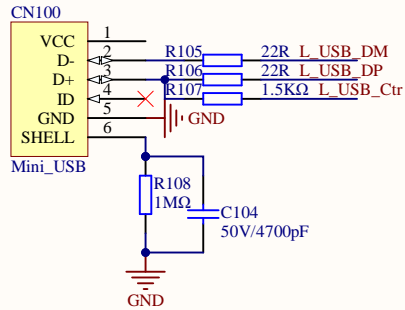
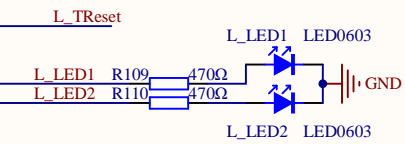
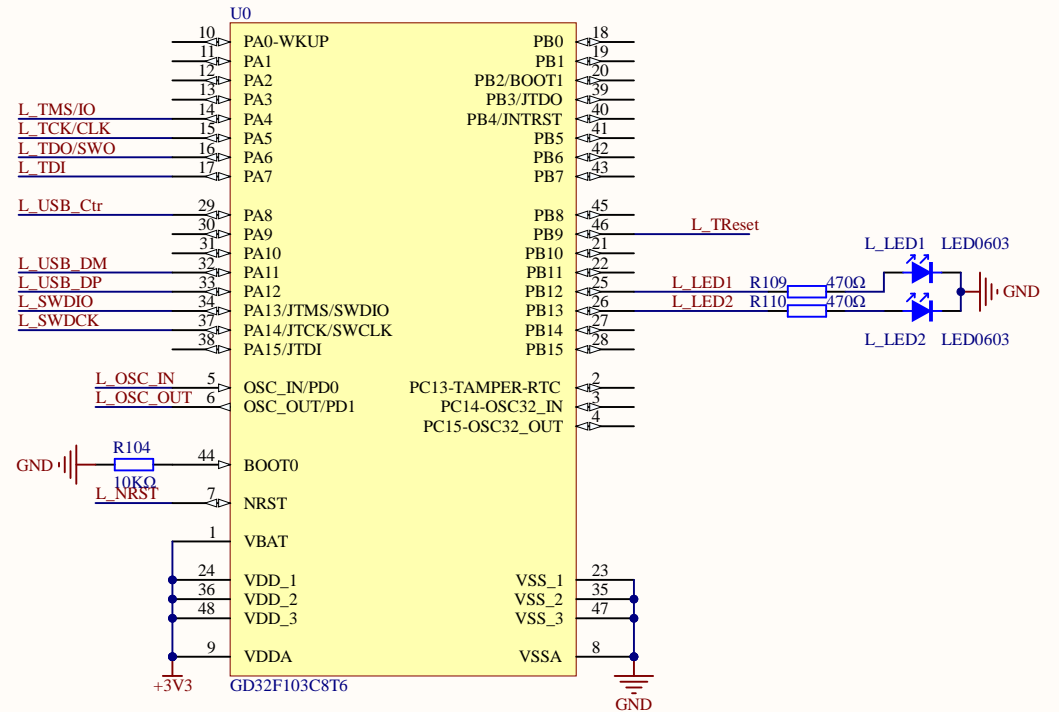
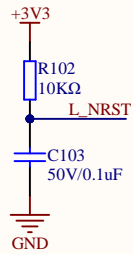
### MCU SWD



### HSE



### Reset



Company Name: GigaDevice

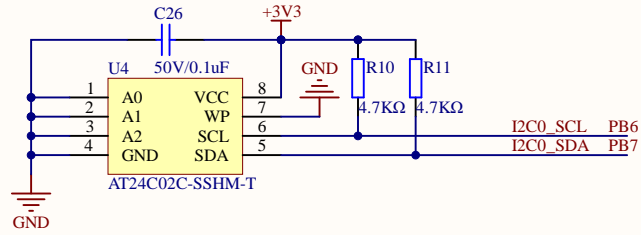
File Name: GDLink

Revision: 1.0

Data: 2015-01-09

Author: XuFei

# I2C



Company Name: GigaDevice

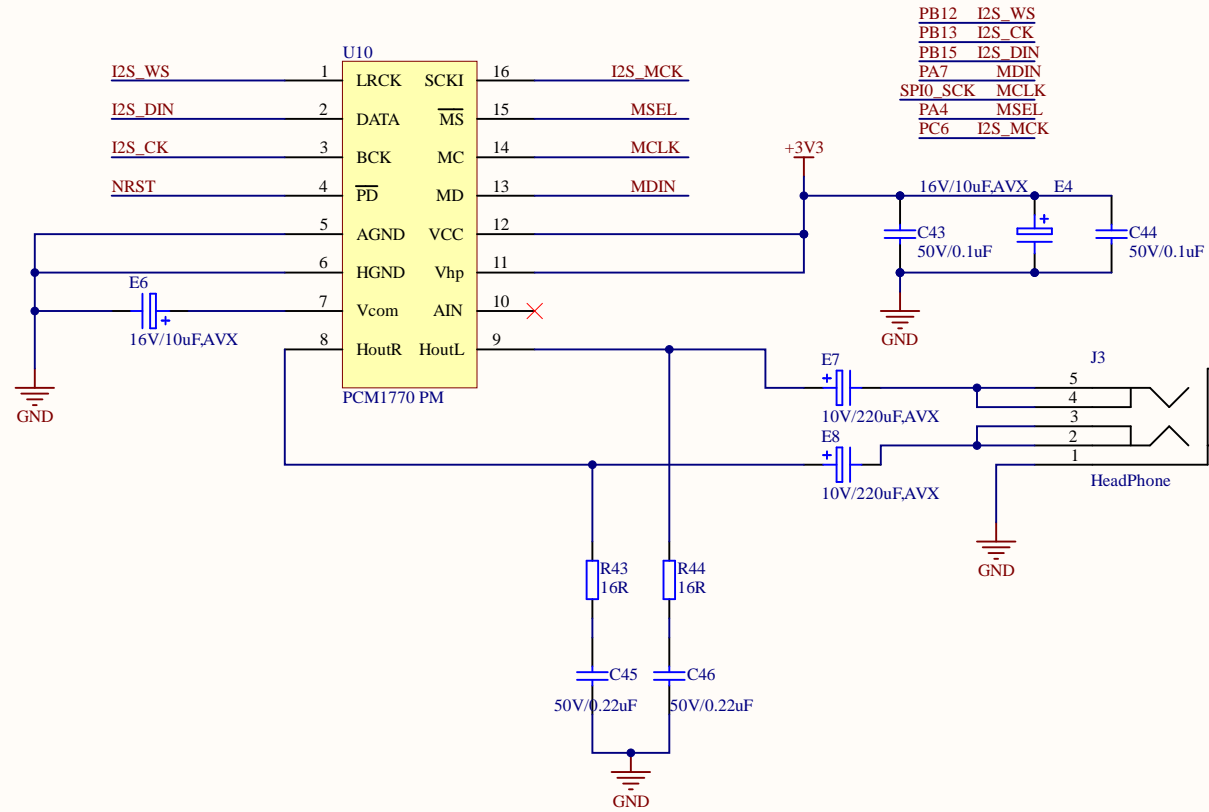
File Name: I2C\_SMbus

Revision: 1.0

Data: 2013-8-20

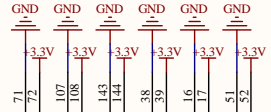
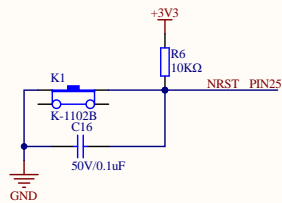
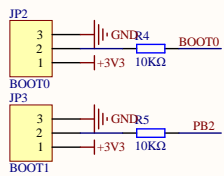
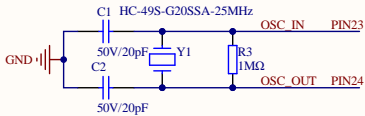
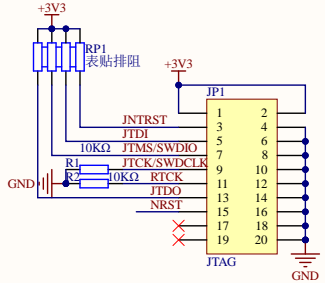
Author: XuFei

# I2S



Company Name: GigaDevice		
File Name: I2S		
Revision: 1.1	Data: 2015-08	Author: Xufei

GDLink	JTAG	PB4
	JNTRST	PA15
L_TDI	JTDI	PA13
L_TMS/IO	JTMS/SWDIO	PA14
L_TCK/CLK	JTCK/SWDCLK	PB3
L_TDO/SWO	JTDO	NRST
L_TReset	NRST	

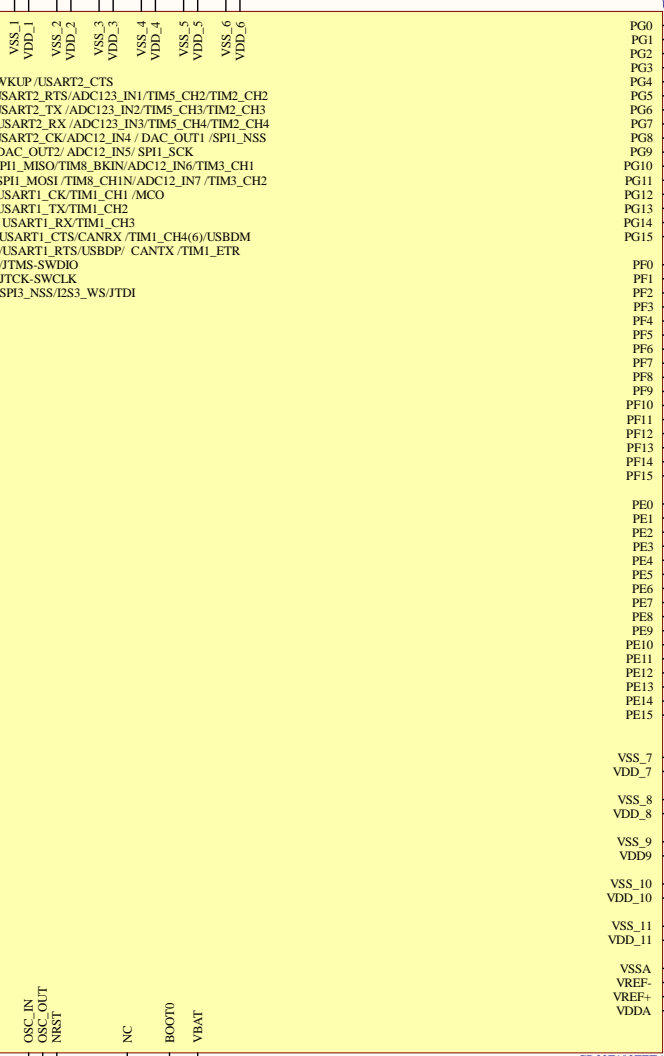


PA0	34	PA0 WKUP/USART2_CTS
PA1	35	PA1/USART2_RTS/ADC123_IN1/TIM5_CH2/TIM2_CH2
PA2	36	PA2/USART2_TX/ADC123_IN2/TIM5_CH3/TIM2_CH3
PA3	37	PA3/USART2_RX/ADC123_IN3/TIM5_CH4/TIM2_CH4
PA4	40	PA4/USART2_CK/ADC12_IN4/DAC_OUT1/SPI1_NSS
PA5	41	PA5/DAC_OUT2/ADC12_IN5/SPI1_SCK
PA6	42	PA6/SPI1_MISO/TIM8_BKIN/ADC12_IN6/TIM3_CH1
PA7	43	PA7/SPI1_MOSI/TIM8_CHIN/ADC12_IN7/TIM3_CH2
PA8	100	PA8/USART1_CK/TIM1_CH1/MCO
PA9	101	PA9/USART1_TX/TIM1_CH2
PA10	102	PA10/USART1_RX/TIM1_CH3
PA11	103	PA11/USART1_CTS/CANRX/TIM1_CH4(6)/USBDM
PA12	104	PA12/USART1_RTS/USBDF/TIM1_ETR
PA13	105	PA13/JTMS-SWDIO
PA14	109	PA14/JTCK-SWCLK
PA15	110	PA15/SPI3_NSS/I2S3_WS/JTDI

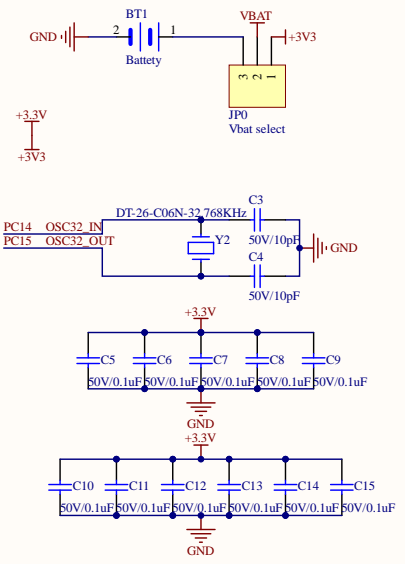
PB0	46	PB0
PB1	47	PB1
PB2	48	PB2
PB3	133	PB3
PB4	134	PB4
PB5	135	PB5
PB6	136	PB6
PB7	137	PB7
PB8	139	PB8
PB9	140	PB9
PB10	69	PB10
PB11	70	PB11
PB12	73	PB12
PB13	74	PB13
PB14	75	PB14
PB15	76	PB15

PC0	26	PC0
PC1	27	PC1
PC2	28	PC2
PC3	29	PC3
PC4	44	PC4
PC5	45	PC5
PC6	96	PC6
PC7	97	PC7
PC8	98	PC8
PC9	99	PC9
PC10	111	PC10
PC11	112	PC11
PC12	113	PC12
PC13	7	PC13
PC14	8	PC14
PC15	9	PC15

PD0	114	PD0
PD1	115	PD1
PD2	116	PD2
PD3	117	PD3
PD4	118	PD4
PD5	119	PD5
PD6	122	PD6
PD7	123	PD7
PD8	77	PD8
PD9	78	PD9
PD10	79	PD10
PD11	80	PD11
PD12	81	PD12
PD13	82	PD13
PD14	85	PD14
PD15	86	PD15

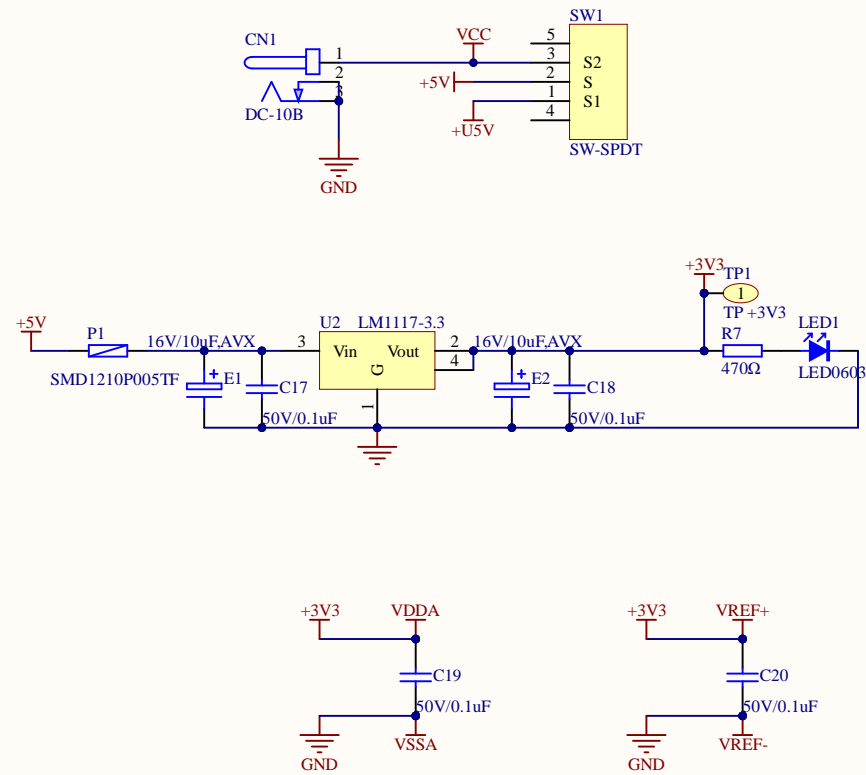


U1	56	PG0
PG0	57	PG1
PG1	87	PG2
PG2	88	PG3
PG3	89	PG4
PG4	90	PG5
PG5	91	PG6
PG6	92	PG7
PG7	93	PG8
PG8	124	PG9
PG9	125	PG10
PG10	126	PG11
PG11	127	PG12
PG12	128	PG13
PG13	129	PG14
PG14	132	PG15
PF0	10	PF0
PF1	11	PF1
PF2	12	PF2
PF3	13	PF3
PF4	14	PF4
PF5	15	PF5
PF6	18	PF6
PF7	19	PF7
PF8	20	PF8
PF9	21	PF9
PF10	22	PF10
PF11	49	PF11
PF12	50	PF12
PF13	53	PF13
PF14	54	PF14
PF15	55	PF15
PE0	141	PE0
PE1	142	PE1
PE2	1	PE2
PE3	2	PE3
PE4	3	PE4
PE5	4	PE5
PE6	5	PE6
PE7	58	PE7
PE8	59	PE8
PE9	60	PE9
PE10	63	PE10
PE11	64	PE11
PE12	65	PE12
PE13	66	PE13
PE14	67	PE14
PE15	68	PE15
VSS_7	61	GND
VDD_7	62	+3.3V
VSS_8	83	GND
VDD_8	84	+3.3V
VSS_9	94	GND
VDD_9	95	+3.3V
VSS_10	120	GND
VDD_10	121	+3.3V
VSS_11	130	GND
VDD_11	131	+3.3V
VSSA	30	VSSA
VREF-	31	VREF-
VREF+	32	VREF+
VDDA	33	VDDA



Company Name: GigaDevice	
File Name: MCU	
Revision: 1.1	Author: XuFei
Date: 2015-08	

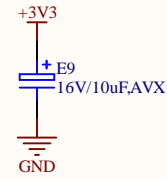
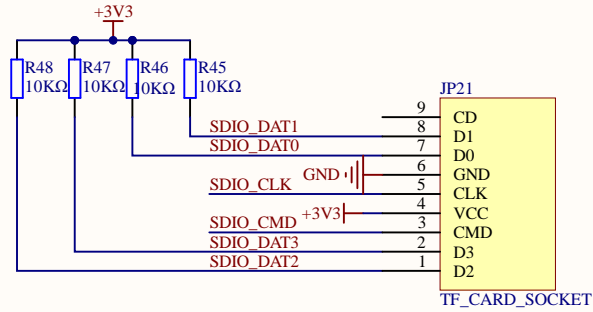




Company Name: GigaDevice		
File Name: Power		
Revision: 1.0	Data: 2013-8-20	Author: XuFei

# SDIO

PD2	SDIO_CMD
PC12	SDIO_CLK
PC8	SDIO_DAT0
PC9	SDIO_DAT1
PC10	SDIO_DAT2
PC11	SDIO_DAT3



Company Name: GigaDevice

File Name: SDIO

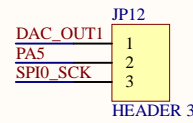
Revision: 1.1

Data: 2015-08

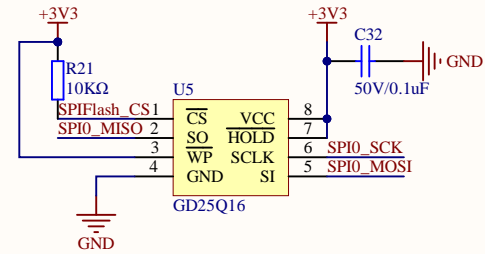
Author: Xufei

### SPI Flash

Short JP12(1,2) for DAC function  
Short JP12(2,3) for SPI0 function

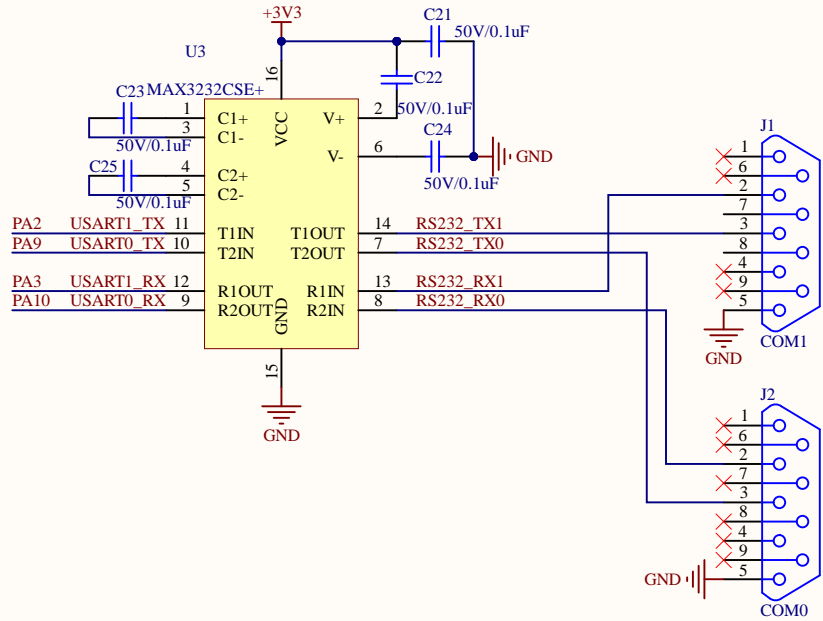


PA7	SPI0_MOSI
PA6	SPI0_MISO
PE3	SPIFlash_CS



Company Name: GigaDevice		
File Name: SPI		
Revision: 1.0	Data: 2013-8-20	Author: XuFei

### USART0/USART1



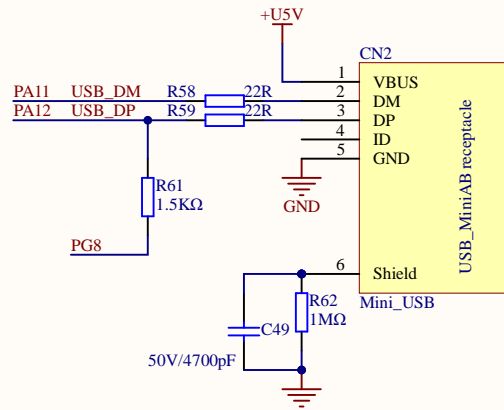
Company Name: GigaDevice

File Name: USART

Revision: 1.0

Data: 2013-8-20

Author: XuFei



Company Name: GigaDevice		
File Name: USB		
Revision: 1.1	Data: 2013.9.10	Author: Xufei

