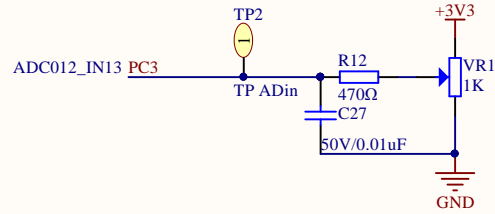
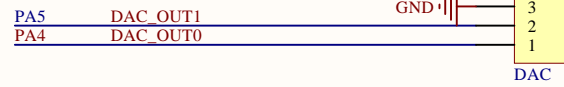


### ADC



### DAC

PA5 is an AFIO, please refer to SPI Schematic for right config



Company Name: GigaDevice

File Name: AD\_DA

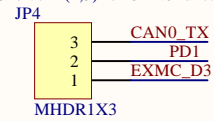
Revision: 1.0

Data: 2022-2

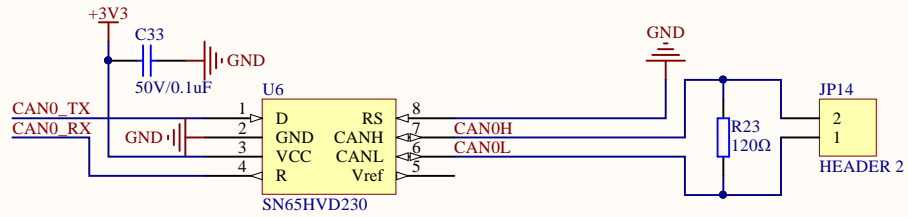
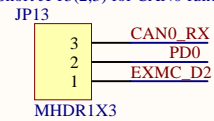
Author: XuFei

# CAN

Short JP4(1,2) for EXMC function  
Short JP4(2,3) for CAN0 function



Short JP13(1,2) for EXMC function  
Short JP13(2,3) for CAN0 function

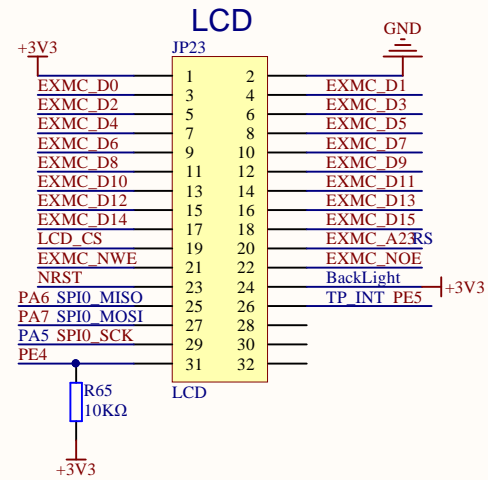


Company Name: GigaDevice		
File Name: CAN		
Revision: 1.0	Data: 2022-2	Author: XuFei

PD0,PD1 are AFIOs, please refer to CAN schematic for right config

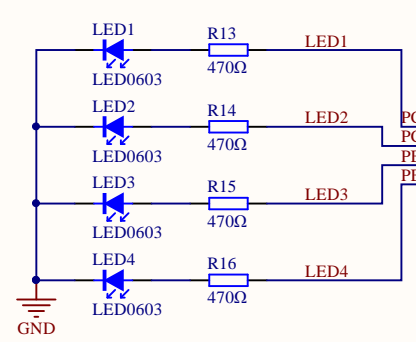
PD14	EXMC_D0
PD15	EXMC_D1
PD0	EXMC_D2
PD1	EXMC_D3
PE7	EXMC_D4
PE8	EXMC_D5
PE9	EXMC_D6
PE10	EXMC_D7
PE11	EXMC_D8
PE12	EXMC_D9
PE13	EXMC_D10
PE14	EXMC_D11
PE15	EXMC_D12
PD8	EXMC_D13
PD9	EXMC_D14
PD10	EXMC_D15

PE2	EXMC_A23	
PD4	EXMC_NOE	
PD5	EXMC_NWE	
PD7	EXMC_NE0	LCD_CS

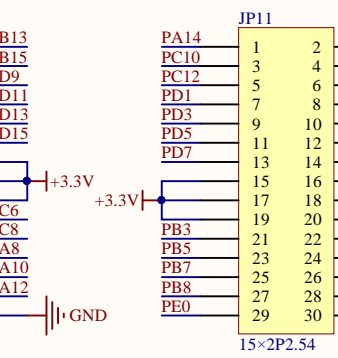
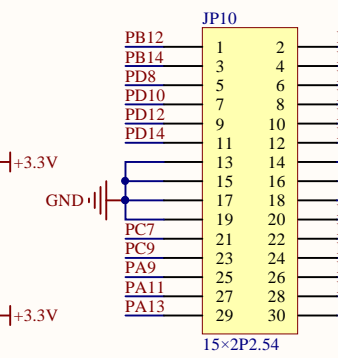
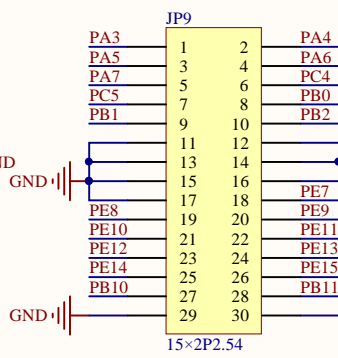
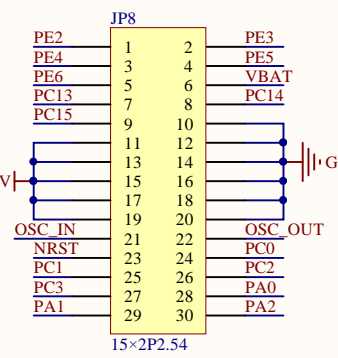


Company Name: GigaDevice		
File Name: EXMC		
Revision: 1.0	Data: 2022-2	Author: XuFei

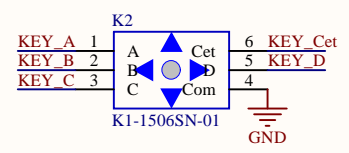
### LED



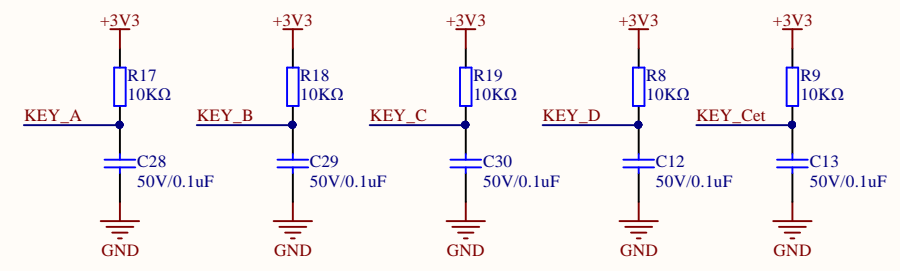
### Extension Pin



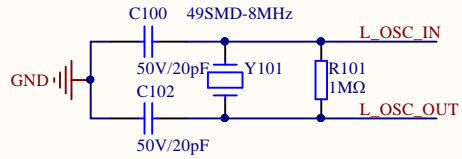
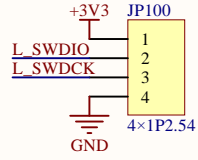
### KEY



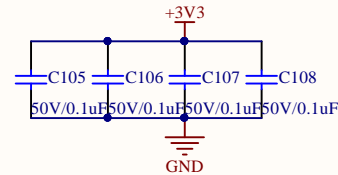
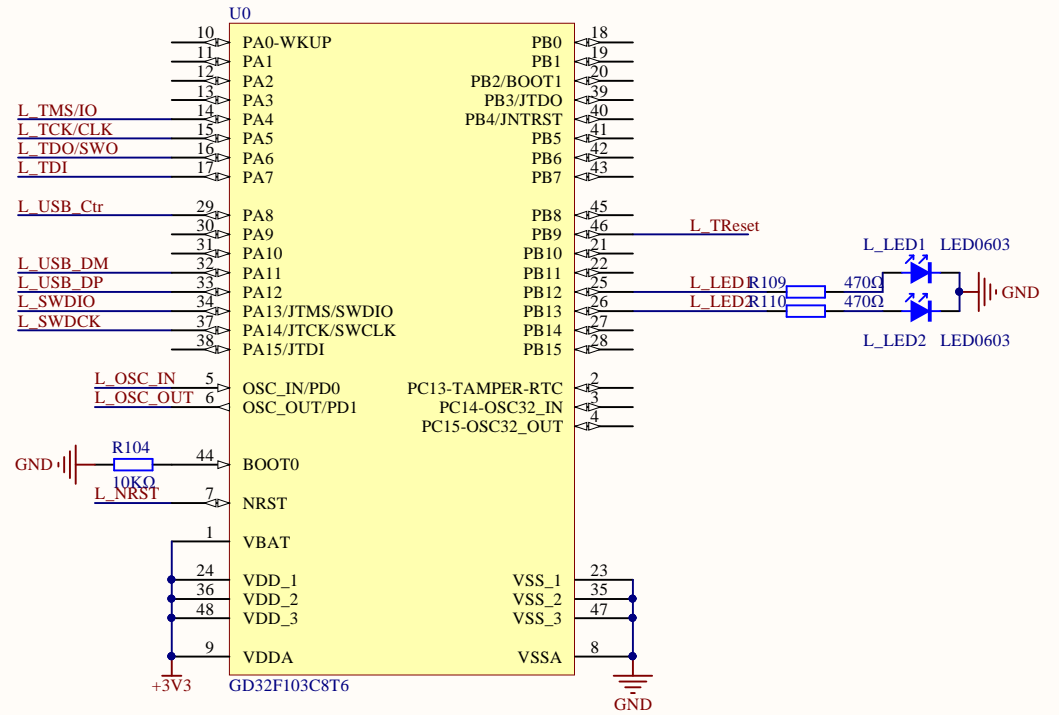
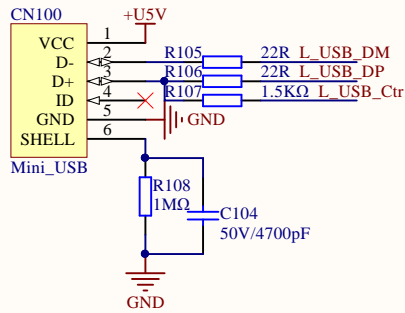
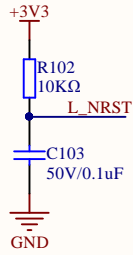
- PA0 KEY\_A
- PC13 KEY\_B
- PB14 KEY\_C
- PC5 KEY\_D
- PC4 KEY\_Cet



Company Name: GigaDevice		
File Name: Extension		
Revision: 1.0	Data: 2022-2	Author: XuFei



### Reset



Company Name: GigaDevice

File Name: GDLink

Revision: 1.0

Data: 2022-2

Author: XuFei

1

2

3

4

A

A

B

B

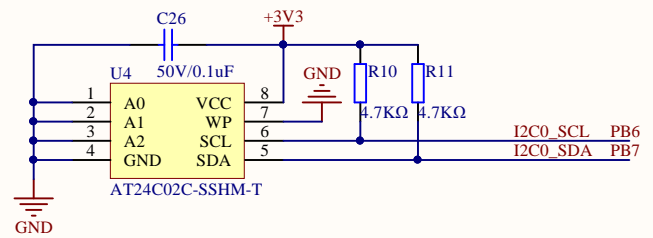
C

C

D

D

# I2C



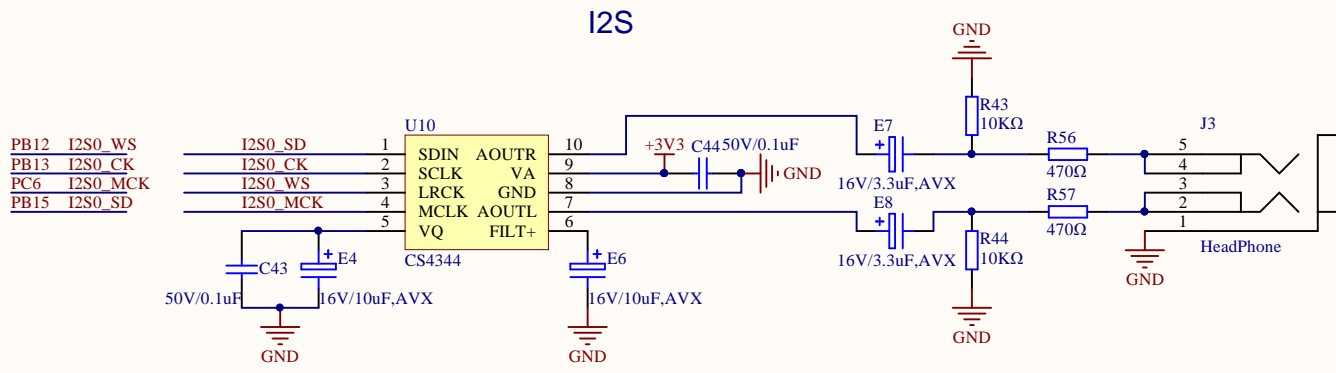
Company Name: GigaDevice		
File Name: I2C		
Revision: 1.0	Data: 2022-2	Author: XuFei

1

2

3

4



Company Name: GigaDevice

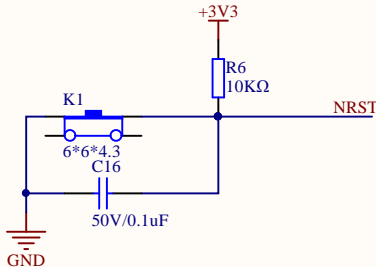
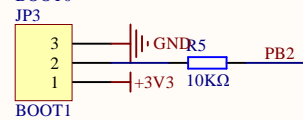
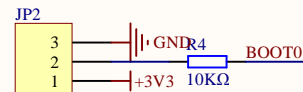
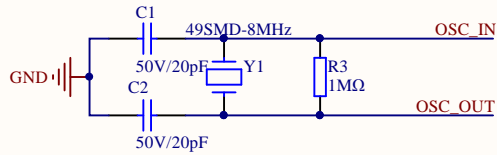
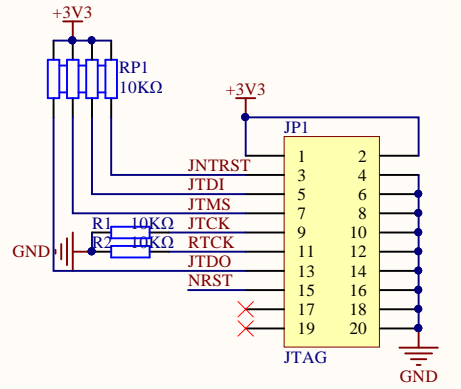
File Name: I2S

Revision: 1.0

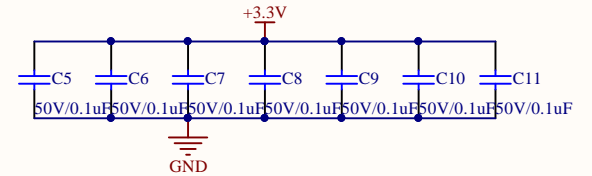
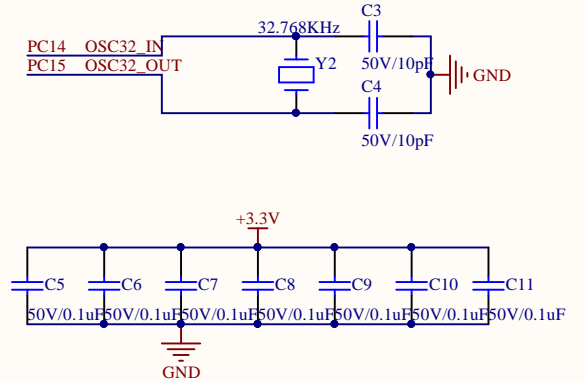
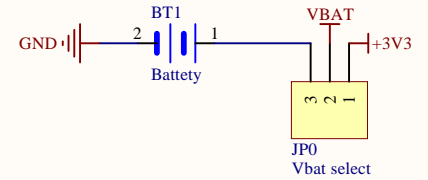
Data: 2022-2

Author: Lixin

GDLINK		JTAG		
L_TDI	JTDI	JNTRST		PB4
L_TMS/IO	JTMS			PA15
L_TCK/CLK	JTCK			PA13
L_TDO/SWO	JTDO			PA14
L_TReset	NRST			PB3

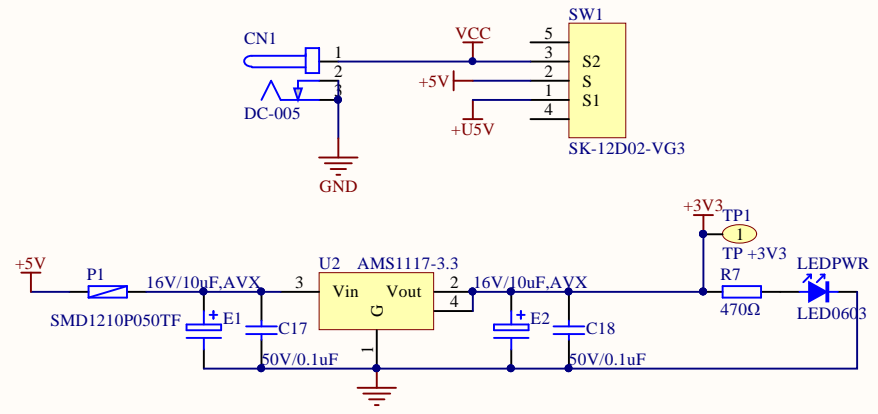


PA		PB		PC		PD		PE		VDD/VSS	
PA0	23	PA0-WKUP		PC0	15	PC0		PE0	97	PE0	
PA1	24	PA1		PC1	16	PC1		PE1	98	PE1	
PA2	25	PA2		PC2	17	PC2		PE2	1	PE2	
PA3	26	PA3		PC3	18	PC3		PE3	2	PE3	
PA4	29	PA4		PC4	33	PC4		PE4	3	PE4	
PA5	30	PA5		PC5	34	PC5		PE5	4	PE5	
PA6	31	PA6		PC6	63	PC6		PE6	5	PE6	
PA7	32	PA7		PC7	64	PC7		PE7	38	PE7	
PA8	67	PA8		PC8	65	PC8		PE8	39	PE8	
PA9	68	PA9		PC9	66	PC9		PE9	40	PE9	
PA10	69	PA10		PC10	78	PC10		PE10	41	PE10	
PA11	70	PA11		PC11	79	PC11		PE11	42	PE11	
PA12	71	PA12		PC12	80	PC12		PE12	43	PE12	
PA13	72	PA13/JTMS/SWDIO	PC13-TAMPER-RTC	PC13	7	PC13		PE13	44	PE13	
PA14	76	PA14/JTCK/SWCLK	PC14-OSC32_IN	PC14	8	PC14		PE14	45	PE14	
PA15	77	PA15/JTDI	PC15-OSC32_OUT	PC15	9	PC15		PE15	46	PE15	
PB0	35	PB0		PD0	81	PD0					
PB1	36	PB1		PD1	82	PD1					
PB2	37	PB2/BOOT1		PD2	83	PD2					
PB3	89	PB3/JTDO		PD3	84	PD3					
PB4	90	PB4/JNTRST		PD4	85	PD4					
PB5	91	PB5		PD5	86	PD5					
PB6	92	PB6		PD6	87	PD6					
PB7	93	PB7		PD7	88	PD7					
PB8	95	PB8		PD8	55	PD8					
PB9	96	PB9		PD9	56	PD9					
PB10	47	PB10		PD10	57	PD10					
PB11	48	PB11		PD11	58	PD11					
PB12	51	PB12		PD12	59	PD12					
PB13	52	PB13		PD13	60	PD13					
PB14	53	PB14		PD14	61	PD14					
PB15	54	PB15		PD15	62	PD15					
OSC_IN	12	OSC_IN		PE0	97	PE0					
OSC_OUT	13	OSC_OUT		PE1	98	PE1					
BOOT0	94	BOOT0		PE2	1	PE2					
NRST	14	NRST		PE3	2	PE3					
GND		VREF-		PE4	3	PE4					
+3.3V		VREF+		PE5	4	PE5					
		NC		PE6	5	PE6					
		VBAT		PE7	38	PE7					
		VDD_1		PE8	39	PE8					
		VDD_2		PE9	40	PE9					
		VDD_3		PE10	41	PE10					
		VDD_4		PE11	42	PE11					
		VDD_5		PE12	43	PE12					
		VDDA		PE13	44	PE13					
+3.3V		VSSA		PE14	45	PE14					
		VSS_1		PE15	46	PE15					
		VSS_2									
		VSS_3									
		VSS_4									
		VSS_5									



Company Name: GigaDevice		
File Name: MCU		
Revision: 1.0	Data: 2022-2	Author: XuFei





Company Name: GigaDevice

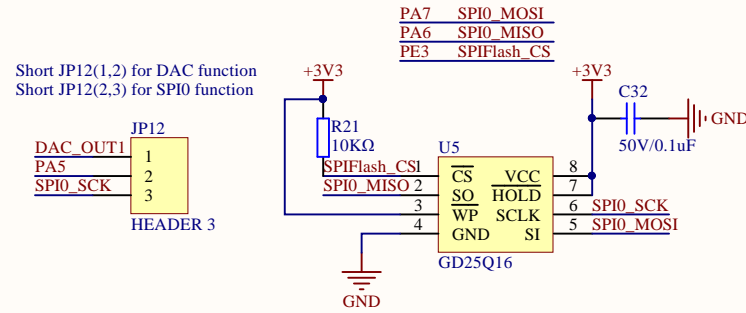
File Name: Power

Revision: 1.0

Data: 2019-6

Author: XuFei

### SPI Flash



Company Name: GigaDevice

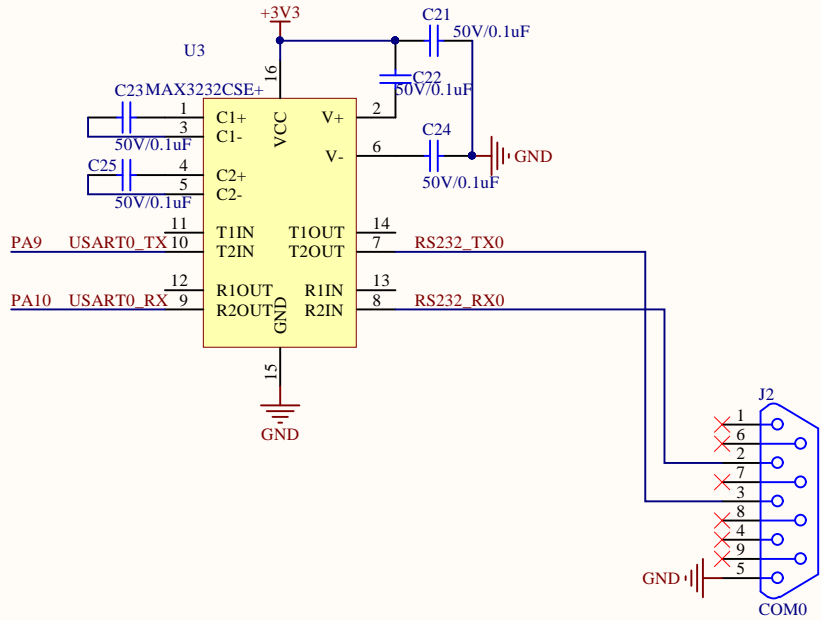
File Name: SPI

Revision: 1.0

Data: 2022-2

Author: XuFei

# USART0



Company Name: GigaDevice		
File Name: USART		
Revision: 1.0	Data: 2022-2	Author: XuFei

1

2

3

4

A

A

B

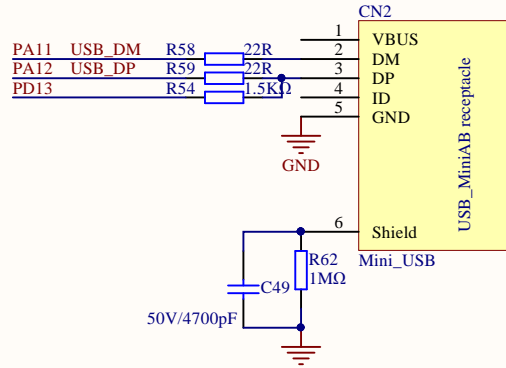
B

C

C

D

D



Company Name: GigaDevice

File Name: USB

Revision: 1.0

Data: 2022-2

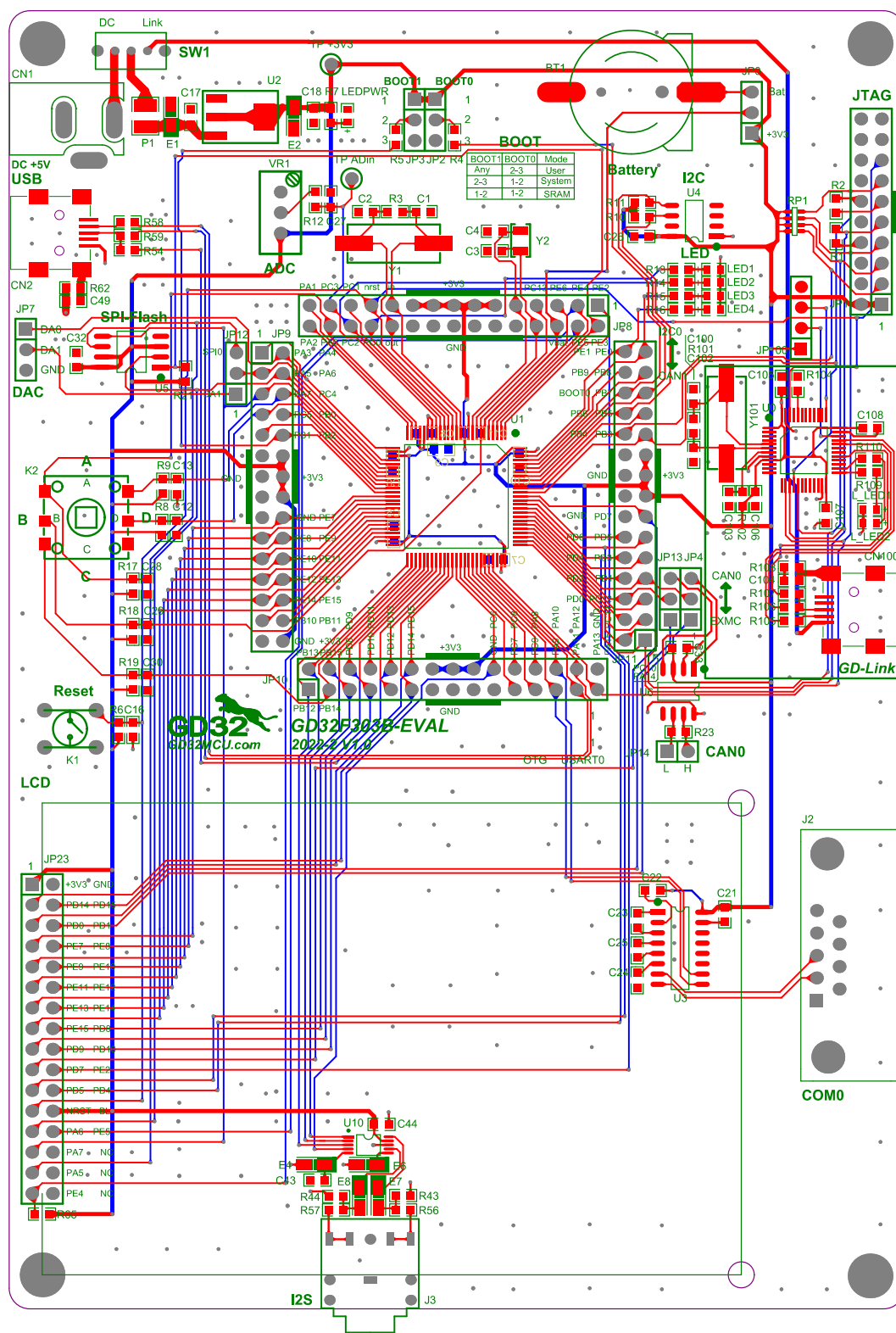
Author: Xufei

1

2

3

4



GD32  
GD32MCU.com  
GD32F303E-EVAL  
2022 V1.0