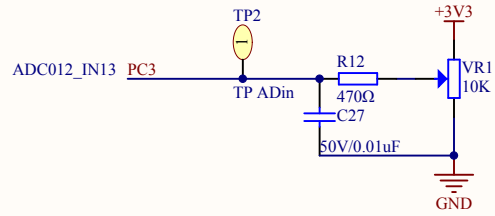


### ADC



### DAC

PA5 is an AFIO, please refer to SPI Schematic for right config



**Company Name: GigaDevice**

**File Name: AD\_DA**

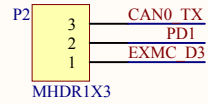
Revision: 1.0

Data: 2020-3

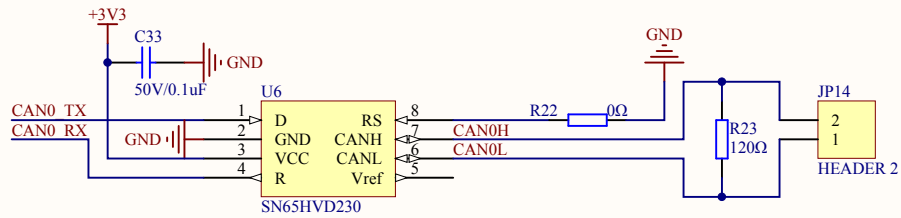
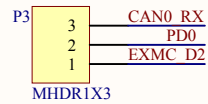
Author: XuFei

### CAN

Short P2(1,2) for EXMC function  
Short P2(2,3) for CAN0 function



Short P3(1,2) for EXMC function  
Short P3(2,3) for CAN0 function



**Company Name: GigaDevice**

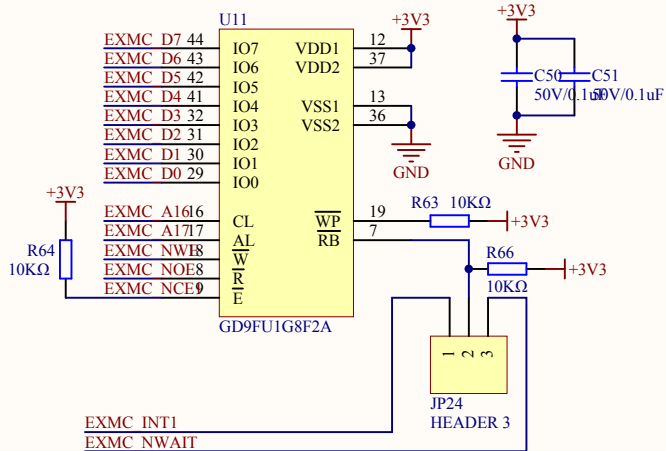
**File Name: CAN**

Revision: 1.0

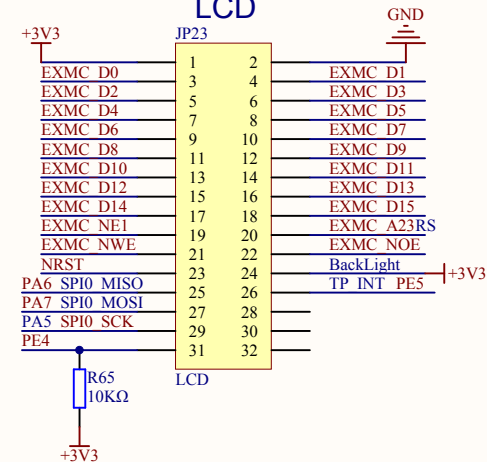
Data: 2017-4

Author: XuFei

### Nand Flash



### LCD

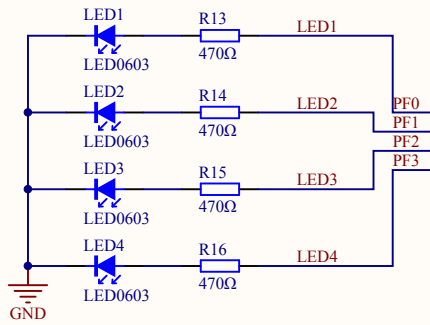


PD0,PD1 are AFIOs, please refer to CAN schematic for right config

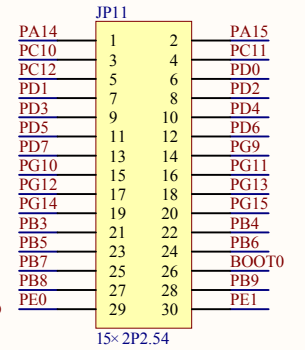
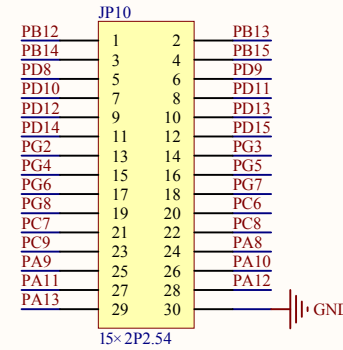
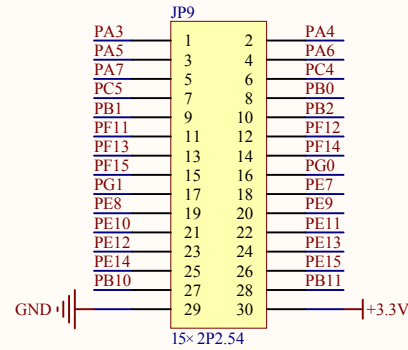
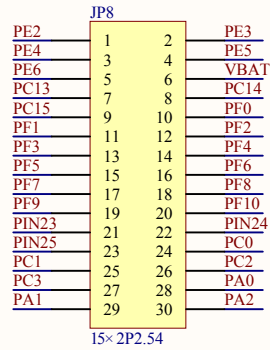
PD14	EXMC D0	PD11	EXMC A16
PD15	EXMC D1	PD12	EXMC A17
PD0	EXMC D2	PE2	EXMC A23
PD1	EXMC D3	PD4	EXMC NOE
PE7	EXMC D4	PD5	EXMC NWE
PE8	EXMC D5	PD6	EXMC NWAIT
PE9	EXMC D6	PD7	EXMC NCE1
PE10	EXMC D7	PG6	EXMC INT1
PE11	EXMC D8	PG9	EXMC NE1
PE12	EXMC D9		
PE13	EXMC D10		
PE14	EXMC D11		
PE15	EXMC D12		
PD8	EXMC D13		
PD9	EXMC D14		
PD10	EXMC D15		

<b>Company Name: GigaDevice</b>		
<b>File Name: EXMC</b>		
Revision: 1.0	Data: 2020-3	Author: XuFei

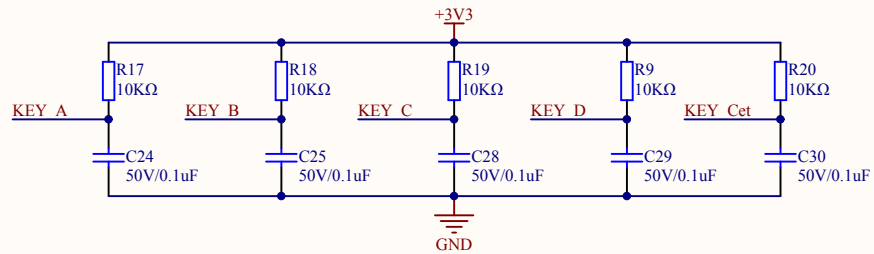
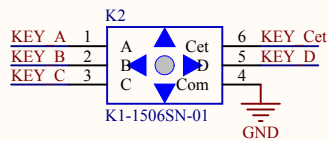
### LED



### Extension Pin



### KEY



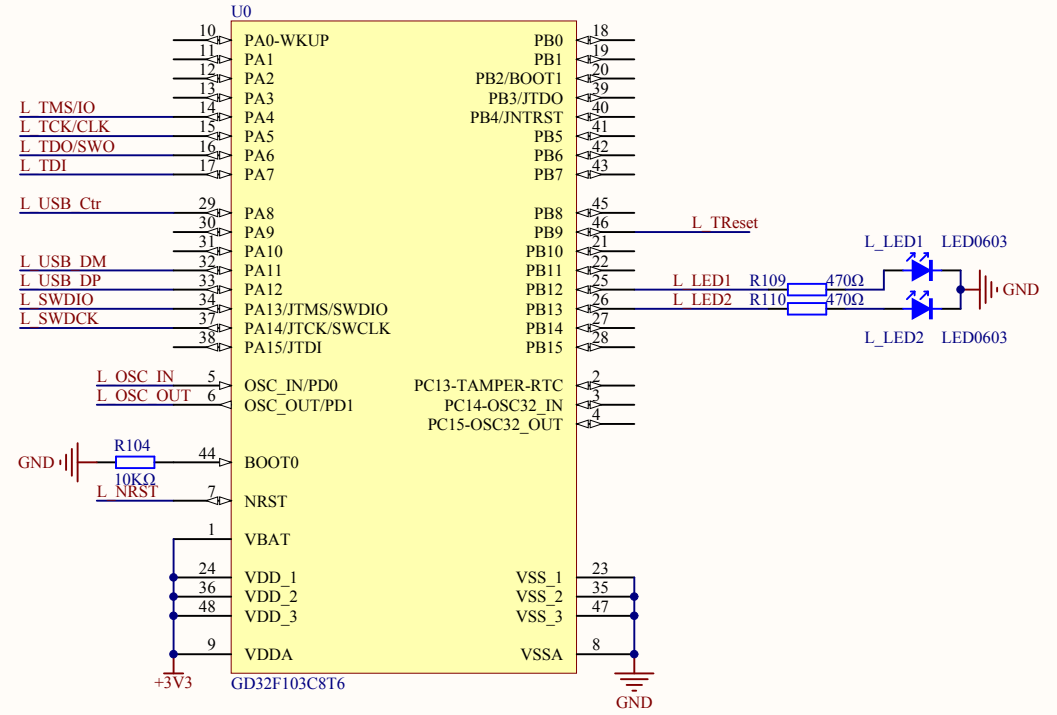
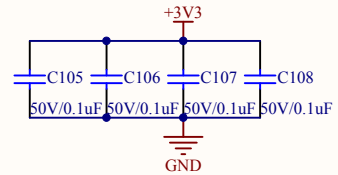
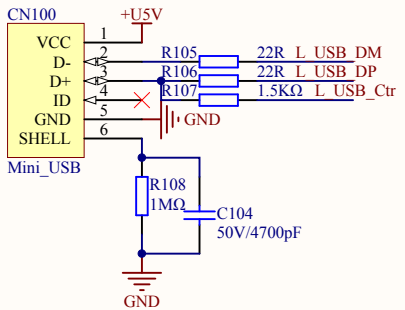
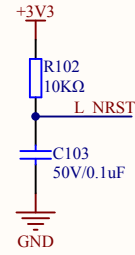
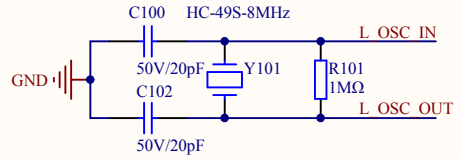
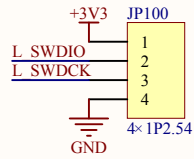
Company Name: GigaDevice

File Name: Extension

Revision: 1.0

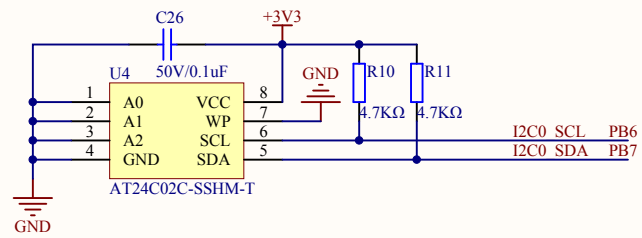
Data: 2020-3

Author: XuFei



<b>Company Name: GigaDevice</b>		
<b>File Name: GDLink</b>		
Revision: 1.0	Data: 2015-01-09	Author: XuFei

# I2C



**Company Name: GigaDevice**

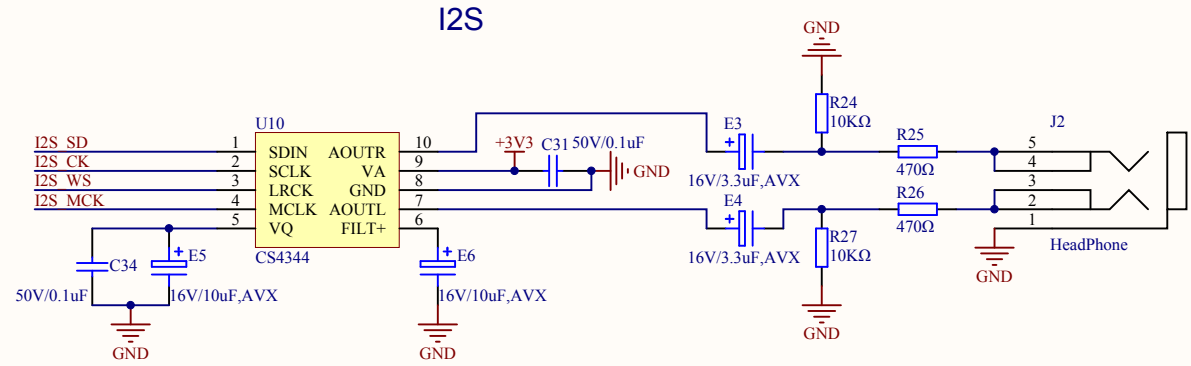
**File Name: I2C\_SMbus**

Revision: 1.0

Data: 2020-3

Author: XuFei

PC6 I2S MCK  
 PB12 I2S WS  
 PB13 I2S CK  
 PB15 I2S SD



**Company Name: GigaDevice**

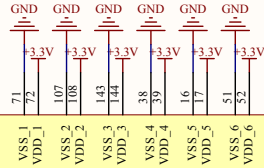
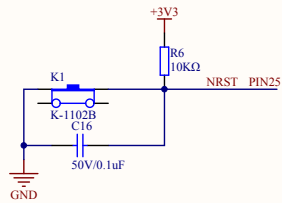
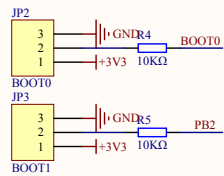
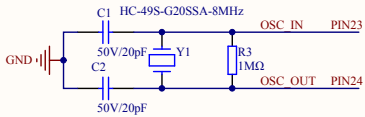
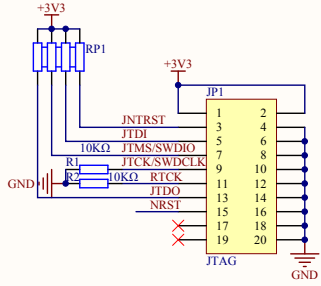
**File Name: I2S**

Revision: 1.0

Data: 2020-3

Author: Xufei

GDLink	JTAG	PB4
L_TDI	JTDI	PA15
L_TMS/IO	JTMS/SWDIO	PA13
L_TCK/CLK	JTCK/SWCLK	PA14
L_TDO/SWO	JTDO	PB3
L_TReset	NRST	



PA0	34	PA0
PA1	35	PA1
PA2	36	PA2
PA3	37	PA3
PA4	40	PA4
PA5	41	PA5
PA6	42	PA6
PA7	43	PA7
PA8	100	PA8
PA9	101	PA9
PA10	102	PA10
PA11	103	PA11
PA12	104	PA12
PA13	105	PA13/JTMS-SWDIO
PA14	109	PA14/JTCK-SWCLK
PA15	110	PA15

PB0	46	PB0
PB1	47	PB1
PB2	48	PB2
PB3	133	PB3
PB4	134	PB4
PB5	135	PB5
PB6	136	PB6
PB7	137	PB7
PB8	139	PB8
PB9	140	PB9
PB10	69	PB10
PB11	70	PB11
PB12	73	PB12
PB13	74	PB13
PB14	75	PB14
PB15	76	PB15

PC0	26	PC0
PC1	27	PC1
PC2	28	PC2
PC3	29	PC3
PC4	44	PC4
PC5	45	PC5
PC6	96	PC6
PC7	97	PC7
PC8	98	PC8
PC9	99	PC9
PC10	111	PC10
PC11	112	PC11
PC12	113	PC12
PC13	7	PC13
PC14	8	PC14
PC15	9	PC15

PD0	114	PD0
PD1	115	PD1
PD2	116	PD2
PD3	117	PD3
PD4	118	PD4
PD5	119	PD5
PD6	122	PD6
PD7	123	PD7
PD8	77	PD8
PD9	78	PD9
PD10	79	PD10
PD11	80	PD11
PD12	81	PD12
PD13	82	PD13
PD14	85	PD14
PD15	86	PD15

PIN23	23	OSC_IN
PIN24	24	OSC_OUT
PIN25	25	NRST
NC		NC
NC	106	NC
BOOT0	138	BOOT0
VBAT	6	VBAT

GD32E503ZET6 U1

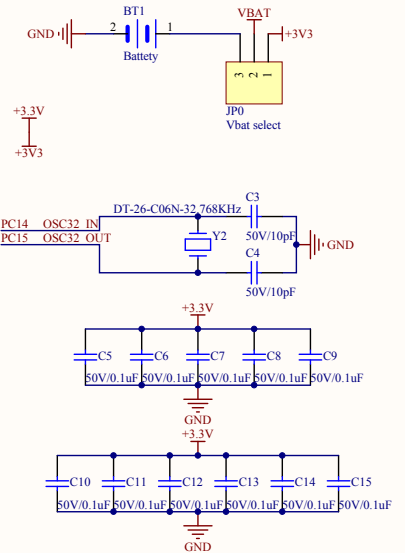
PG0	56	PG0
PG1	57	PG1
PG2	87	PG2
PG3	88	PG3
PG4	89	PG4
PG5	90	PG5
PG6	91	PG6
PG7	92	PG7
PG8	93	PG8
PG9	124	PG9
PG10	125	PG10
PG11	126	PG11
PG12	127	PG12
PG13	128	PG13
PG14	129	PG14
PG15	132	PG15

PF0	10	PF0
PF1	11	PF1
PF2	12	PF2
PF3	13	PF3
PF4	14	PF4
PF5	15	PF5
PF6	18	PF6
PF7	19	PF7
PF8	20	PF8
PF9	21	PF9
PF10	22	PF10
PF11	49	PF11
PF12	50	PF12
PF13	53	PF13
PF14	54	PF14
PF15	55	PF15

PE0	141	PE0
PE1	142	PE1
PE2	1	PE2
PE3	2	PE3
PE4	3	PE4
PE5	4	PE5
PE6	5	PE6
PE7	58	PE7
PE8	59	PE8
PE9	60	PE9
PE10	63	PE10
PE11	64	PE11
PE12	65	PE12
PE13	66	PE13
PE14	67	PE14
PE15	68	PE15

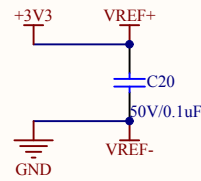
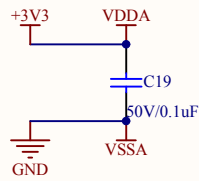
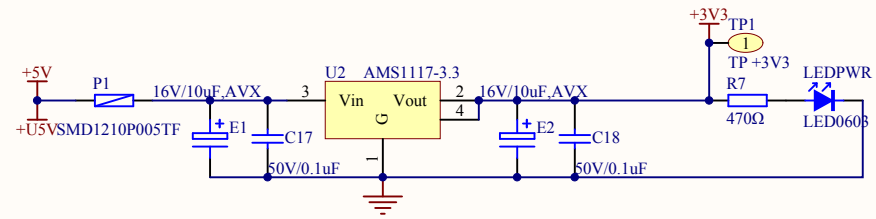
VSS_7	61	GND
VDD_7	62	+3.3V
VSS_8	83	GND
VDD_8	84	+3.3V
VSS_9	94	GND
VDD9	95	+3.3V

VSS_10	120	GND
VDD_10	121	+3.3V
VSS_11	130	GND
VDD_11	131	+3.3V
VSSA	30	VSSA
VREF-	32	VREF-
VREF+	33	VDDA
VDDA		



Company Name: GigaDevice		
File Name: MCU		
Revision: 1.0	Date: 2020-3	Author: XuFei

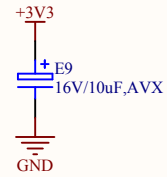
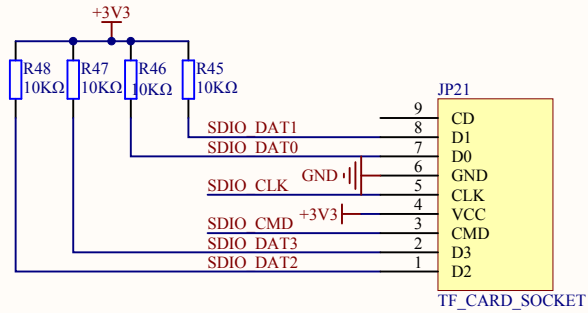




<b>Company Name: GigaDevice</b>		
<b>File Name: Power</b>		
Revision: 1.0	Data: 2020-3	Author: XuFei

# SDIO

PD2 SDIO CMD  
 PC12 SDIO CLK  
 PC8 SDIO DAT0  
 PC9 SDIO DAT1  
 PC10 SDIO DAT2  
 PC11 SDIO DAT3



**Company Name: GigaDevice**

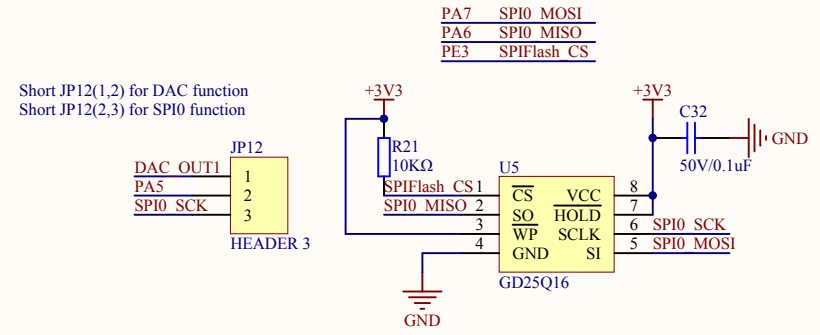
**File Name: SDIO**

Revision: 1.0

Data: 2020-3

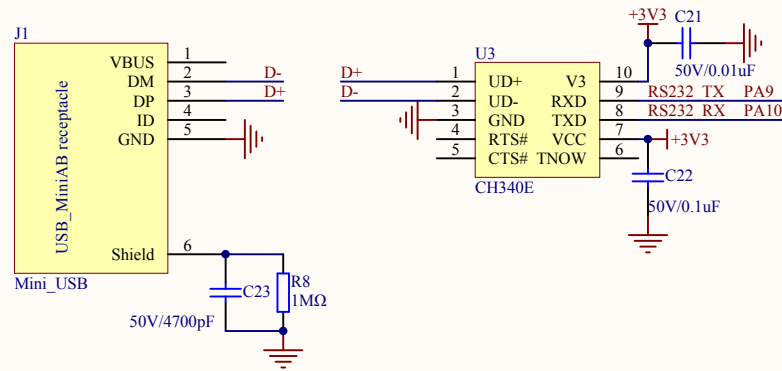
Author: Xufei

### SPI Flash



<b>Company Name: GigaDevice</b>		
<b>File Name: SPI</b>		
Revision: 1.0	Data: 2020-3	Author: XuFei

## USART0 To USB



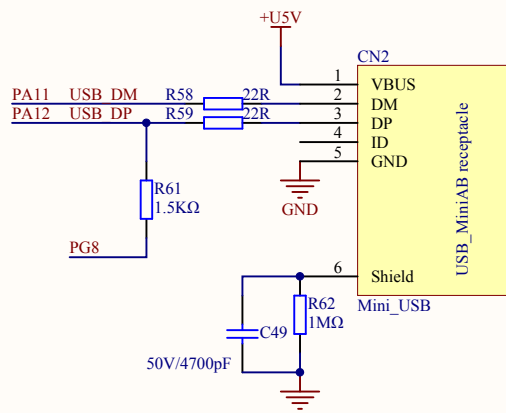
**Company Name: GigaDevice**

**File Name: USART**

Revision: 1.0

Data: 2020-3

Author: XuFei



**Company Name: GigaDevice**

**File Name: USB**

Revision: 1.0

Data: 2020-3

Author: Xufei

