

1

2

3

4

A

A

B

B

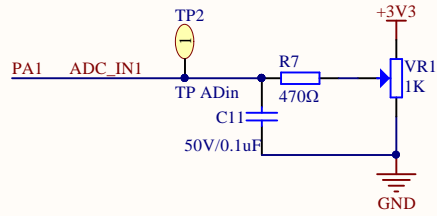
C

C

D

D

ADC



Company Name: GigaDevice

File Name: ADC

Revision: 1.1

Data: 2021-7

Author: Xufei

1

2

3

4

1

2

3

4

A

A

B

B

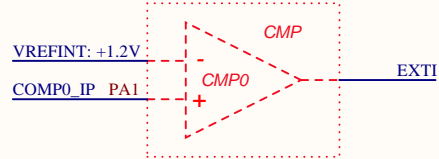
C

C

D

D

CMP



Company Name: GigaDevice

File Name: CMP

Revision: 1.1

Data: 2021-7

Author: Xufei

1

2

3

4

1

2

3

4

A

A

B

B

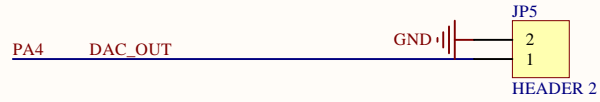
C

C

D

D

DAC



Company Name: GigaDevice

File Name: DAC

Revision: 1.1

Data: 2021-7

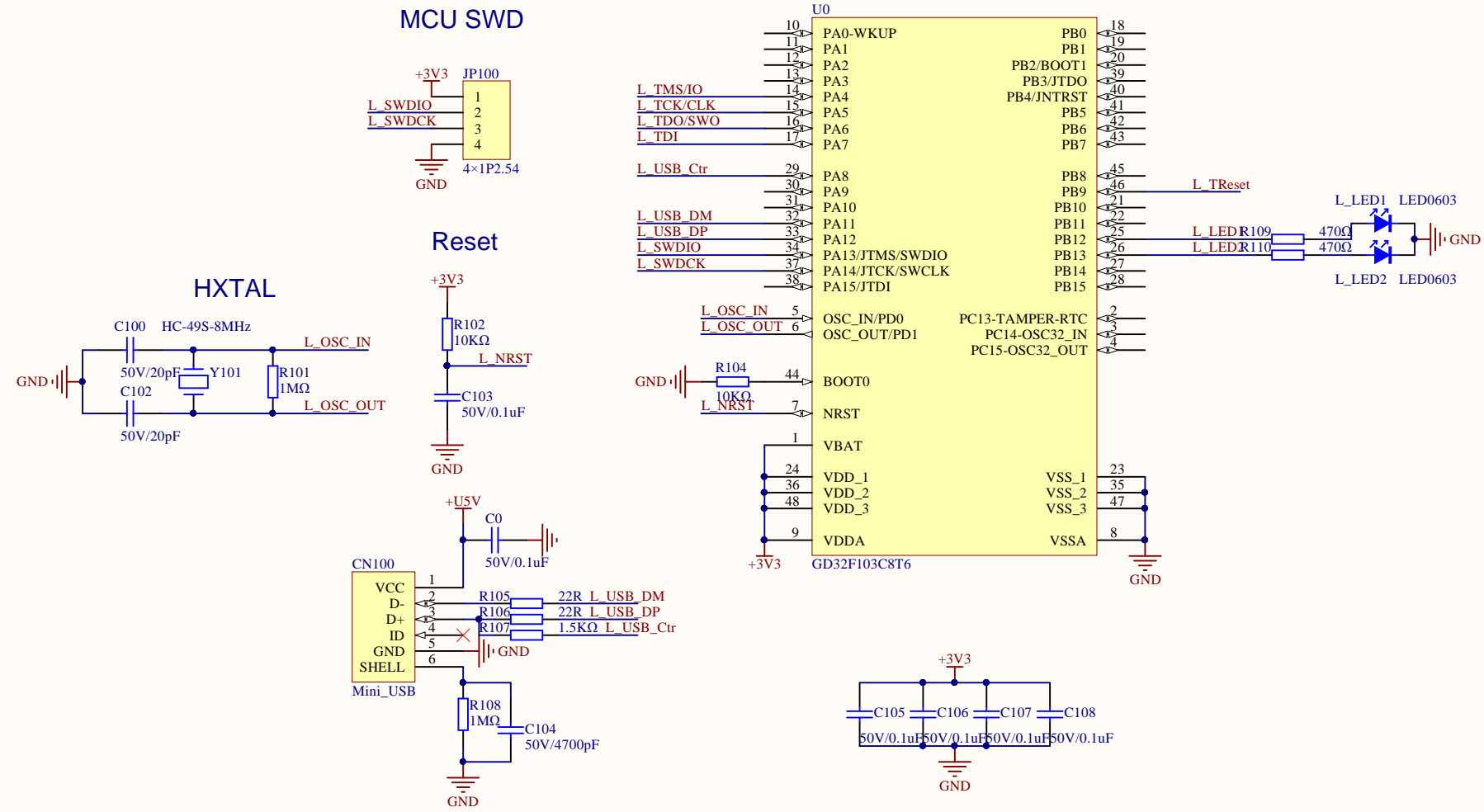
Author: Xufei

1

2

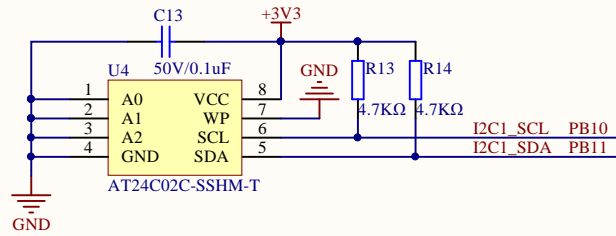
3

4

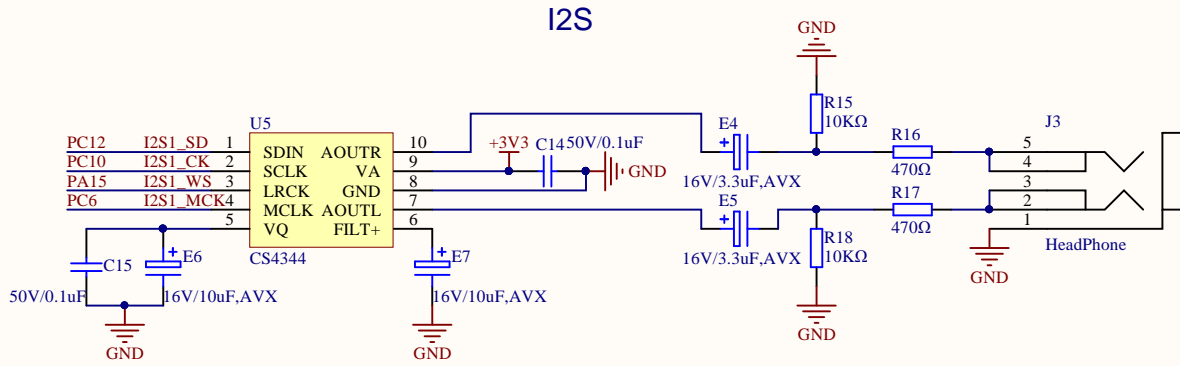


Company Name: GigaDevice		
File Name: GDLink		
Revision: 1.1	Data: 2021-7	Author: XuFei

I2C



Company Name: GigaDevice		
File Name: I2C		
Revision: 1.1	Data: 2021-7	Author: Xufei



Company Name: GigaDevice

File Name: I2S

Revision: 1.1

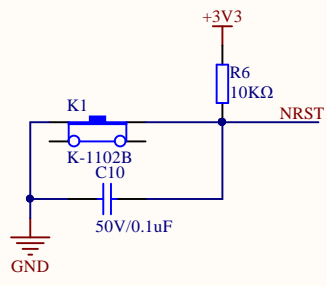
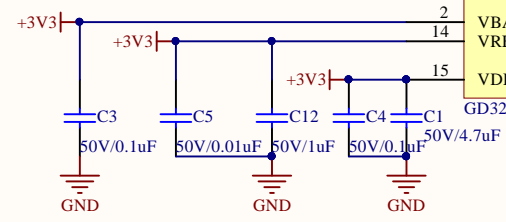
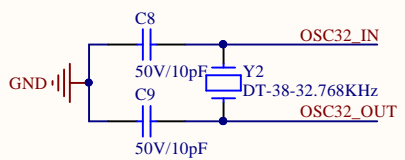
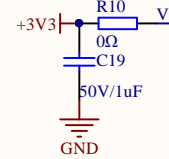
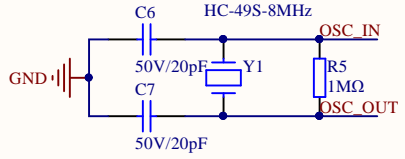
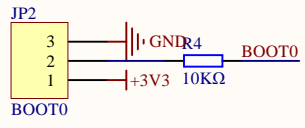
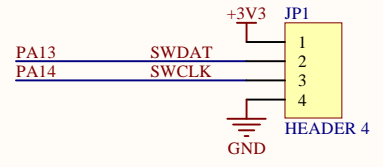
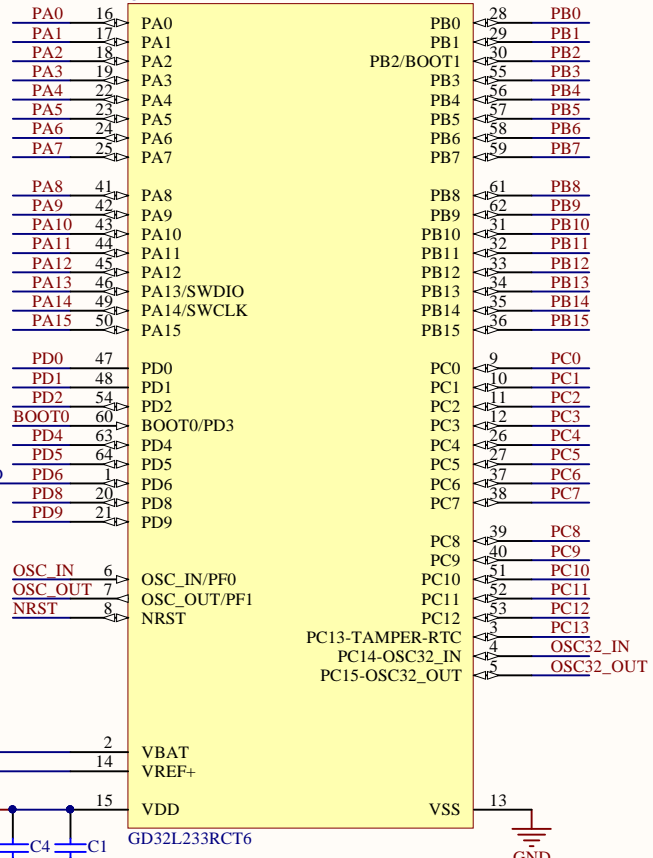
Data: 2021-7

Author: Xufei

MCU

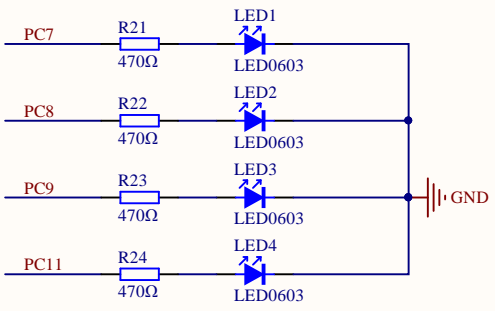
U2

GDLink	SWD
L_TMS/IO	SWDAT
L_TCK/CLK	SWCLK
L_TReset	NRST

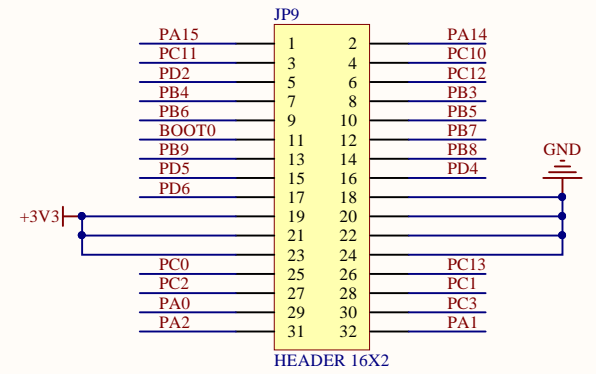


Company Name: GigaDeice		
File Name: MCU		
Revision: 1.1	Data: 2021-7	Author: Xufei

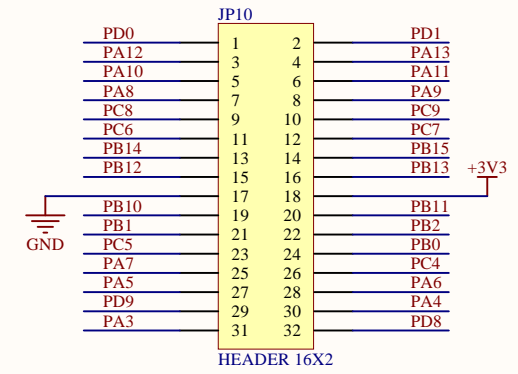
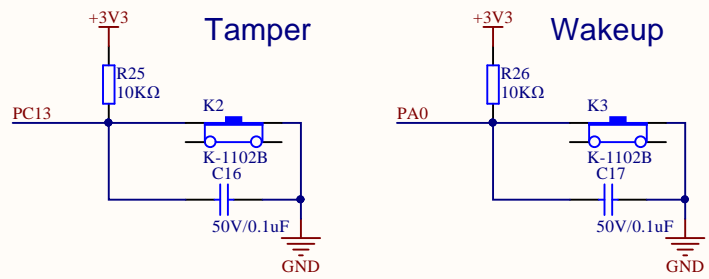
LED



Extention



Button KEY



Company Name: GigaDevice

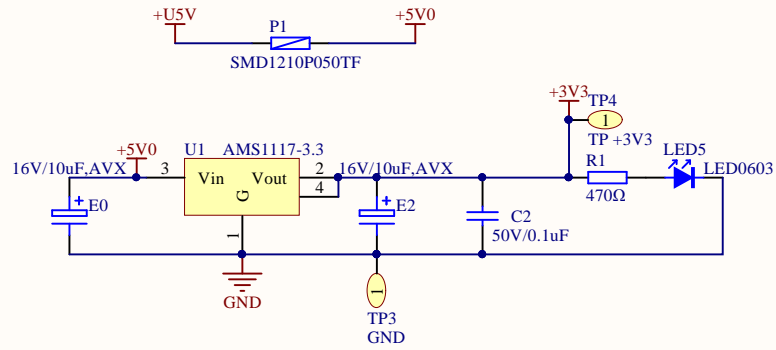
File Name: Peripherals

Revision: 1.1

Data: 2021-7

Author: Xufei

POWER



Company Name: GigaDevice

File Name: POWER

Revision: 1.1

Data: 2021-7

Author: Xufei

1

2

3

4

A

A

B

B

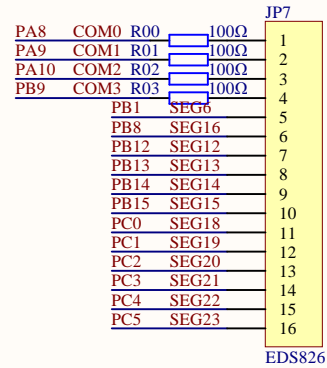
C

C

D

D

SLCD



Company Name: GigaDevice

File Name: SLCD

Revision: 1.1

Data: 2021-7

Author: Xufei

1

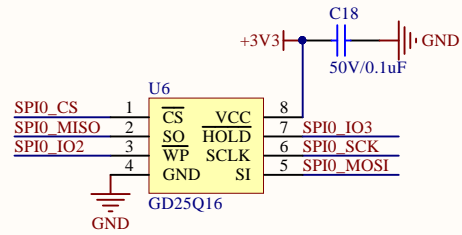
2

3

4

QSPI

PD2	SPI0_CS
PB3	SPI0_SCK
PB4	SPI0_MISO
PB5	SPI0_MOSI
PB6	SPI0_IO2
PB7	SPI0_IO3



Company Name: GigaDevice

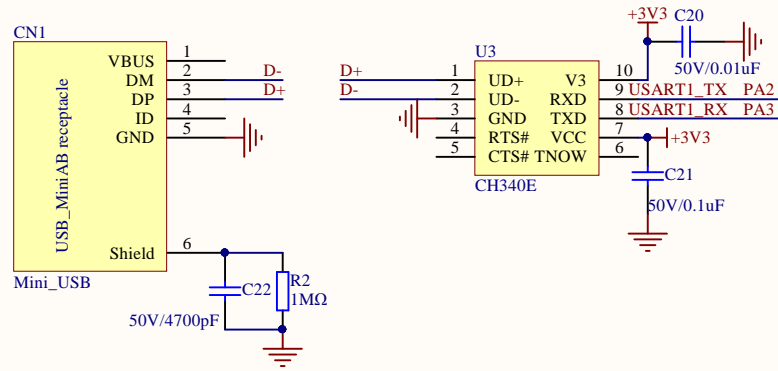
File Name: SPI

Revision: 1.1

Data: 2019-9

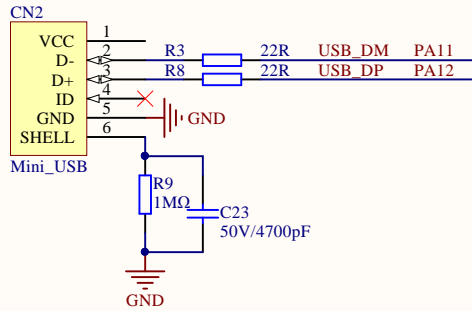
Author: Xufei

USART To USB



Company Name: GigaDevice		
File Name: USART/LPUART		
Revision: 1.1	Data: 2021-7	Author: Xufei

USB



Company Name: GigaDevice		
File Name: USB		
Revision: 1.1	Data: 2021-7	Author: Xufei

