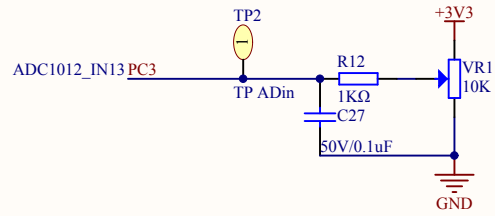
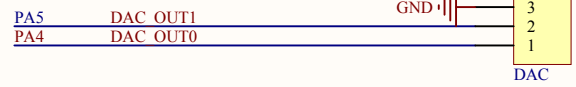


### ADC



### DAC

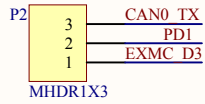
PA5 is an AFIO, please refer to SPI Schematic for right config



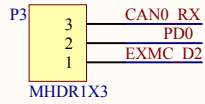
|                                 |                 |               |
|---------------------------------|-----------------|---------------|
| <b>Company Name: GigaDevice</b> |                 |               |
| <b>File Name: AD_DA</b>         |                 |               |
| Revision: 1.0                   | Data: 2013-8-20 | Author: XuFei |

# CAN

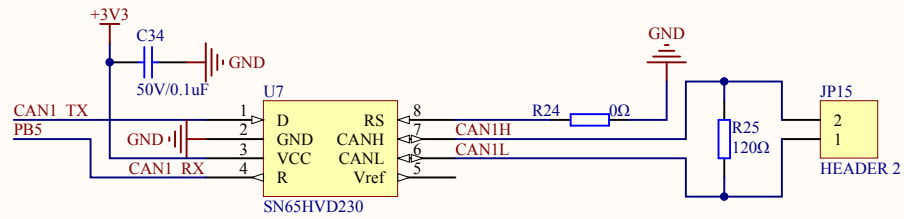
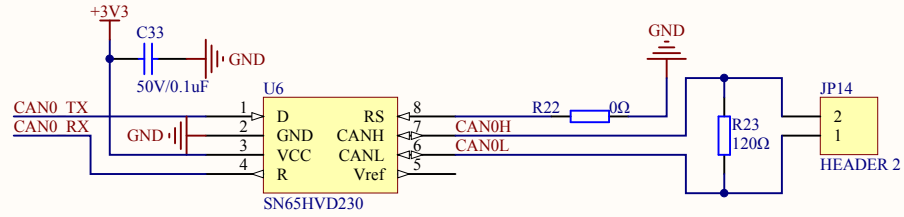
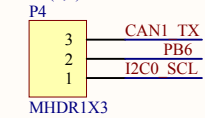
Short P2(1,2) for EXMC function  
Short P2(2,3) for CAN0 function



Short P3(1,2) for EXMC function  
Short P3(2,3) for CAN0 function



Short P4(1,2) for I2C1 function  
Short P4(2,3) for CAN1 function



**Company Name: GigaDevice**

**File Name: CAN**

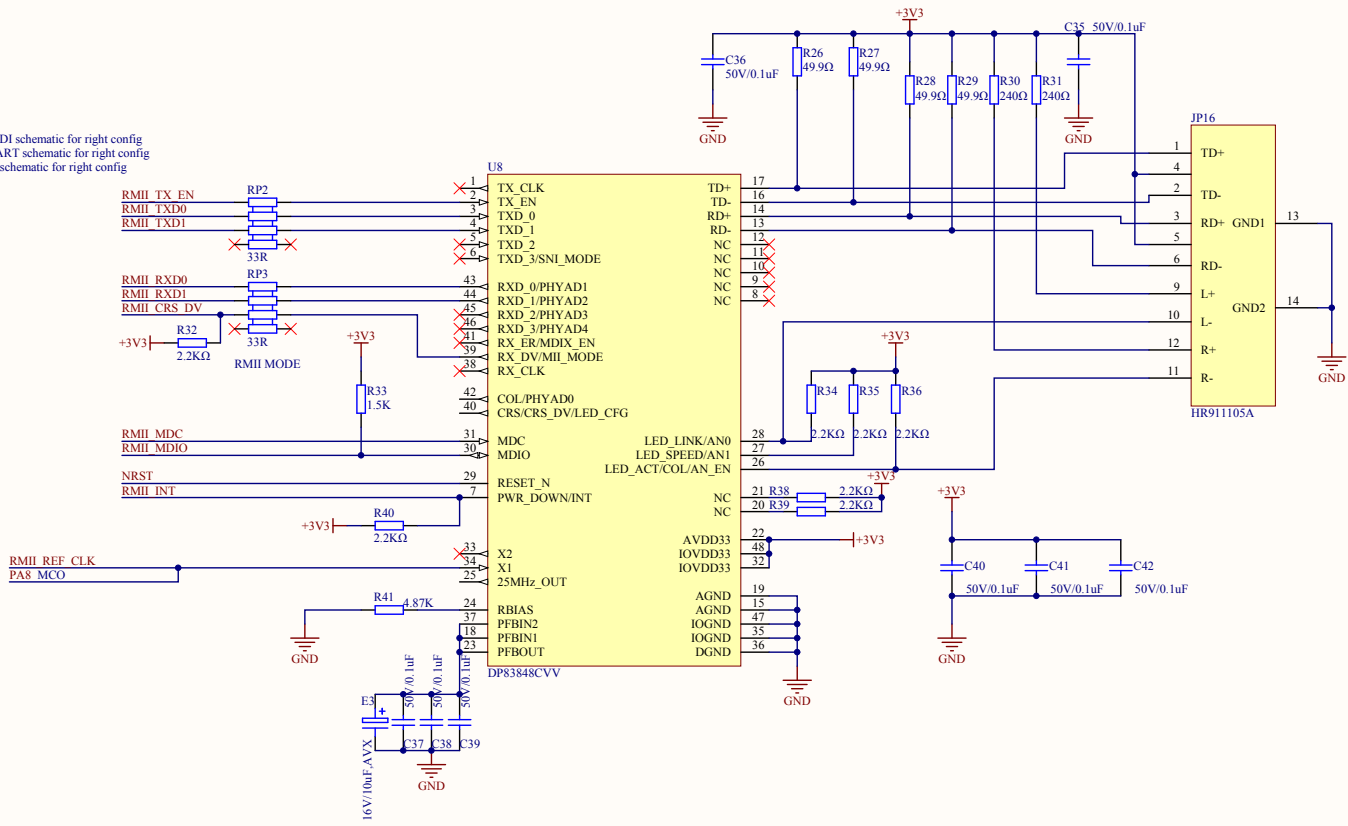
Revision: 1.0

Data: 2013-7-24

Author: XuFei

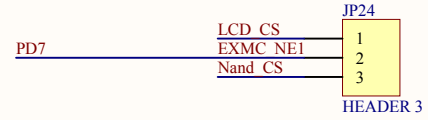
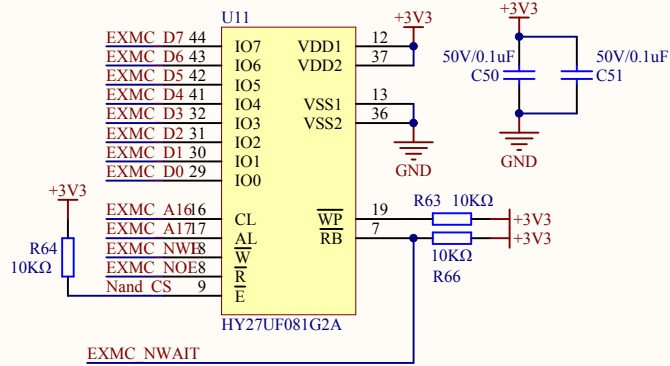
PB11 is an AFIO, refer to LTDI schematic for right config  
 PA2 is an AFIO, refer to USART schematic for right config  
 PA7 is an AFIO, refer to SPI schematic for right config

- PB11 RMII TX\_EN
- PB12 RMII TXD0
- PB13 RMII TXD1
- PC4 RMII RXD0
- PC5 RMII RXD1
- PA7 RMII CRS\_DV
- PC1 RMII MDC
- PA2 RMII MDIO
- PB0 RMII INT
- PA1 RMII REF\_CLK



|                                 |                 |               |
|---------------------------------|-----------------|---------------|
| <b>Company Name: GigaDevice</b> |                 |               |
| <b>File Name: Ethernet</b>      |                 |               |
| Revision: 1.0                   | Date: 2013-8-21 | Author: Xufei |

### Nand Flash



PD0,PD1 are AFIOs, please refer to CAN schematic for right config

|      |         |
|------|---------|
| PD14 | EXMC D0 |
| PD15 | EXMC D1 |
| PD0  | EXMC D2 |
| PD1  | EXMC D3 |
| PE7  | EXMC D4 |
| PE8  | EXMC D5 |
| PE9  | EXMC D6 |
| PE10 | EXMC D7 |

|      |            |
|------|------------|
| PD11 | EXMC A16   |
| PD12 | EXMC A17   |
| PD4  | EXMC NOE   |
| PD5  | EXMC NWE   |
| PD6  | EXMC NWAIT |

**Company Name: GigaDevice**

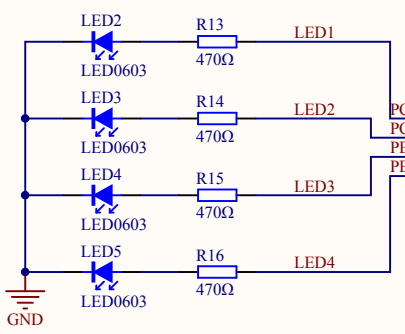
**File Name: EXMC**

Revision: 1.0

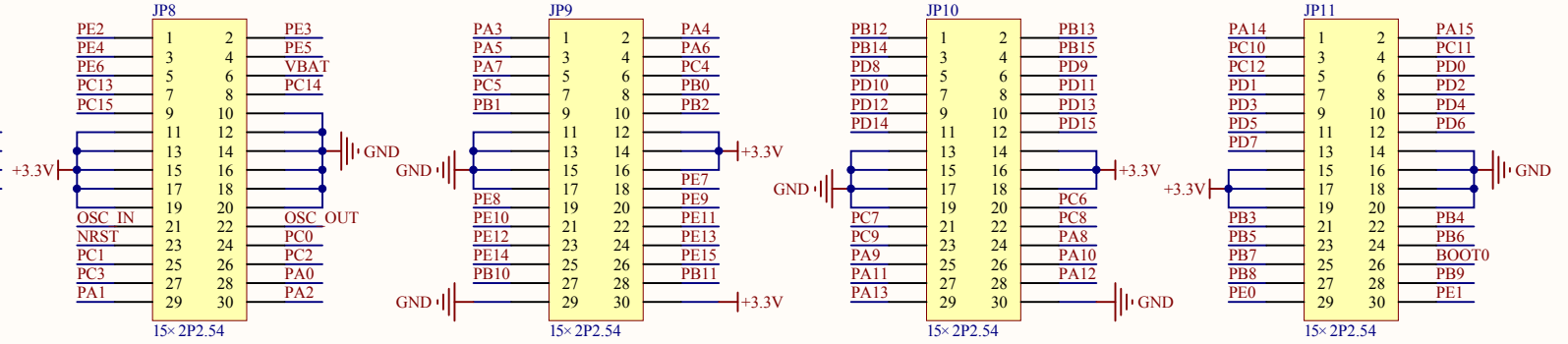
Data: 2013-8-20

Author: XuFei

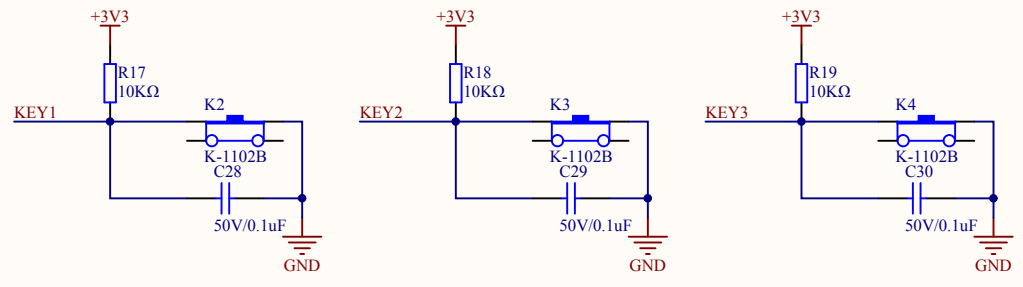
### LED



### Extension Pin



### KEY



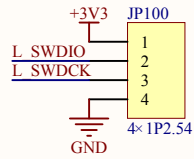
- PA0 KEY1
- PC13 KEY2
- PB14 KEY3

**Company Name: GigaDevice**

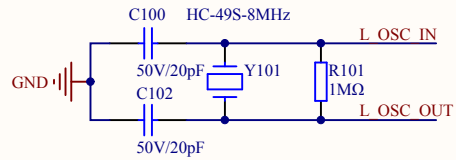
**File Name: Extension**

Revision: 1.0      Data: 2013-8-20      Author: XuFei

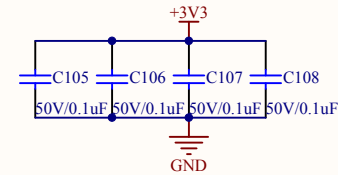
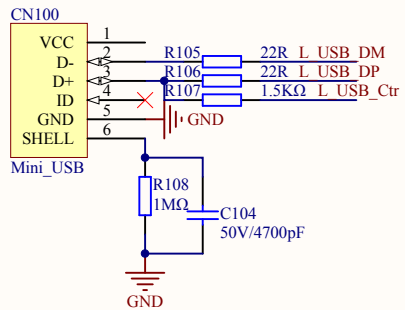
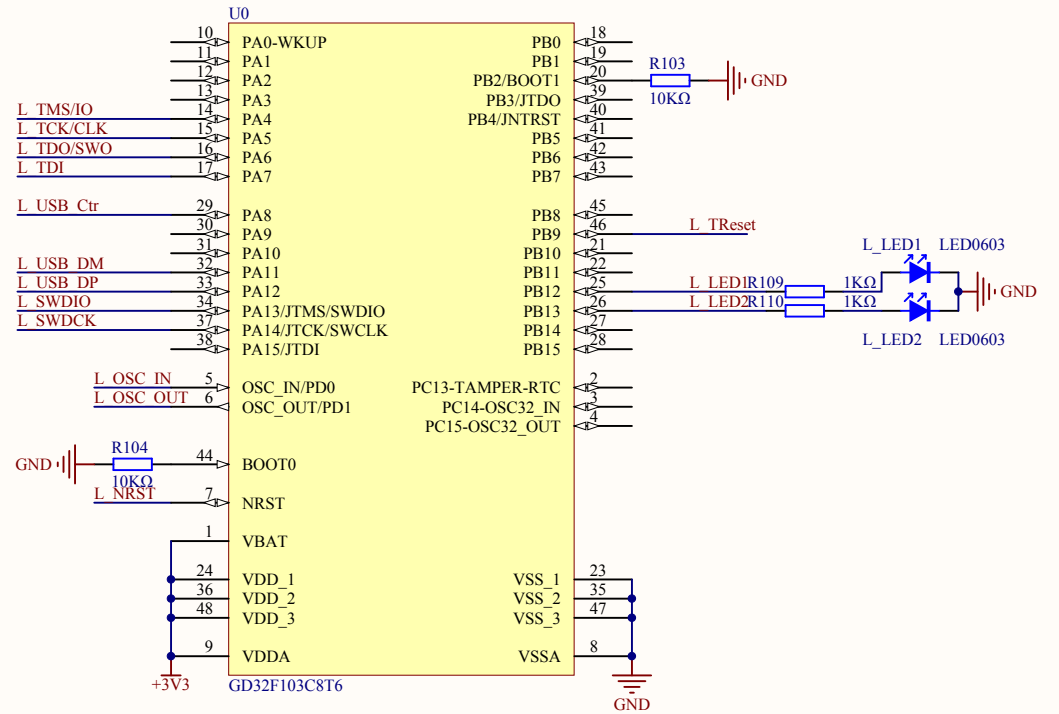
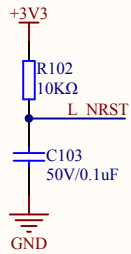
### MCU SWD



### HSE



### Reset



Company Name: GigaDevice

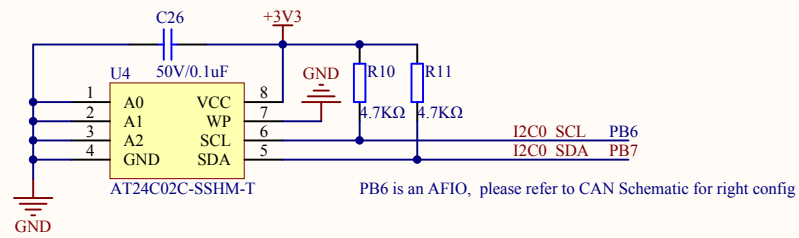
File Name: GDLink

Revision: 1.0

Data: 2015-01-09

Author: XuFei

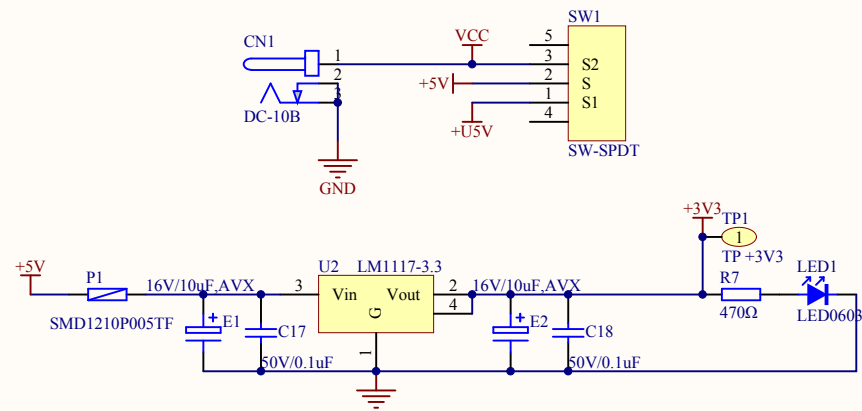
# I2C



|                                 |                 |               |
|---------------------------------|-----------------|---------------|
| <b>Company Name: GigaDevice</b> |                 |               |
| <b>File Name: I2C_SMbus</b>     |                 |               |
| Revision: 1.0                   | Data: 2013-8-20 | Author: XuFei |



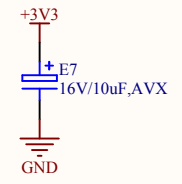
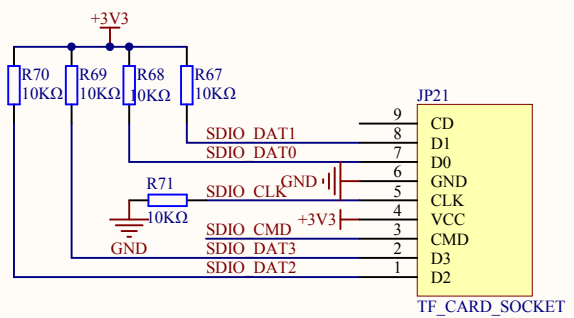




|                                 |                 |               |
|---------------------------------|-----------------|---------------|
| <b>Company Name: GigaDevice</b> |                 |               |
| <b>File Name: Power</b>         |                 |               |
| Revision: 1.0                   | Data: 2013-8-20 | Author: XuFei |

### SDIO

|      |           |
|------|-----------|
| PD2  | SDIO_CMD  |
| PC12 | SDIO_CLK  |
| PC8  | SDIO_DAT0 |
| PC9  | SDIO_DAT1 |
| PC10 | SDIO_DAT2 |
| PC11 | SDIO_DAT3 |



**Company Name: GigaDevice**

**File Name: SDIO**

Revision: 1.1

Data: 2015-2

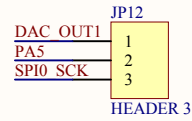
Author: Xufei

### SPI Flash

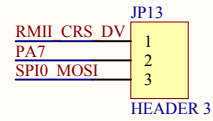
PA6 is AFIO, please refer to LTDC schematic for correct config

|     |             |
|-----|-------------|
| PA6 | SPI0_MISO   |
| PE3 | SPIFlash_CS |

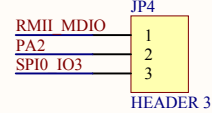
Short JP12(1,2) for DAC function  
Short JP12(2,3) for SPI0 function



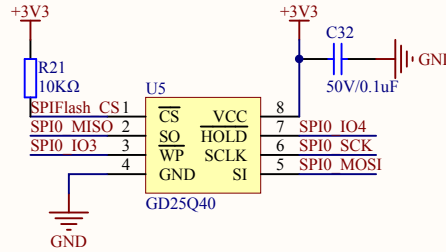
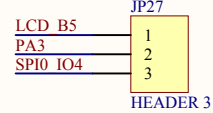
Short JP13(1,2) for Ethernet function  
Short JP12(2,3) for SPI0 function



Short JP4(1,2) for Ethernet function  
Short JP4(2,3) for SPI0 function



Short JP27(1,2) for LTDC function  
Short JP27(2,3) for SPI0 function



**Company Name: GigaDevice**

**File Name: SPI**

Revision: 1.0

Data: 2013-8-20

Author: XuFei

PA11,PA12 are AFIOs, please refer to USB\_OTG schematic for correct config

PA3 is AFIO, please refer to SPI schematic for correct config

|      |               |
|------|---------------|
| PC6  | HSYNC         |
| PA4  | VSYNC         |
| PE14 | PCLK          |
| PE13 | DE            |
| PE15 | D15 R7        |
| PB1  | D14 R6        |
| PA12 | LCD R5 D13 R5 |
| PA11 | LCD R4 D12 R4 |
| PB0  | D11 R3        |
| PD3  | D10 G7        |
| PC7  | D09 G6        |
| PB11 | LCD G5 D08 G5 |
| PB10 | D07 G4        |
| PE11 | D06 G3        |
| PA6  | LCD G2 D05 G2 |
| PB9  | D04 B7        |
| PB8  | D03 B6        |
| PA3  | LCD B5 D02 B5 |
| PE12 | D01 B4        |
| PD10 | D00 B3        |

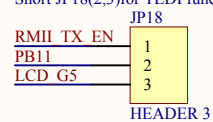
|     |                    |
|-----|--------------------|
| PD7 | LCD CS             |
| PE2 | LCD RS             |
| PA5 | SPI0 SCK LCD SCK   |
| PA7 | SPI0 MOSI LCD MOSI |
| PE4 | T CS               |
| PE6 | T SCK              |
| PD8 | T MOSI             |
| PD9 | T MISO             |
| PE5 | T IQR              |

### LCD

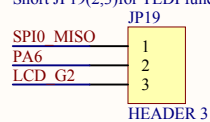
|         |    |    |          |
|---------|----|----|----------|
| LCD CS  | 34 | 33 | LCD RS   |
| LCD SCK | 32 | 31 | RD       |
| NRST    | 30 | 29 | D00      |
| D01     | 28 | 27 | D02      |
| D03     | 26 | 25 | D04      |
| D05     | 24 | 23 | D06      |
| D07     | 22 | 21 | D08      |
| D09     | 20 | 19 | D10      |
| D11     | 18 | 17 | D12      |
| D13     | 16 | 15 | D14      |
| D15     | 14 | 13 | LCD MOSI |
| HSYNC   | 12 | 11 | VSYNC    |
| PCLK    | 10 | 9  | DE       |
| T CS    | 8  | 7  | T SCK    |
| T MOSI  | 6  | 5  | T MISO   |
| T IQR   | 4  | 3  | BL CTR   |
|         | 2  | 1  |          |

17x2\_2.54 +3V3

Short JP18(1,2)for Ethernet function  
Short JP18(2,3)for TLDI function



Short JP19(1,2)for SPI function  
Short JP19(2,3)for TLDI function



**Company Name: GigaDevice**

**File Name: TLDI**

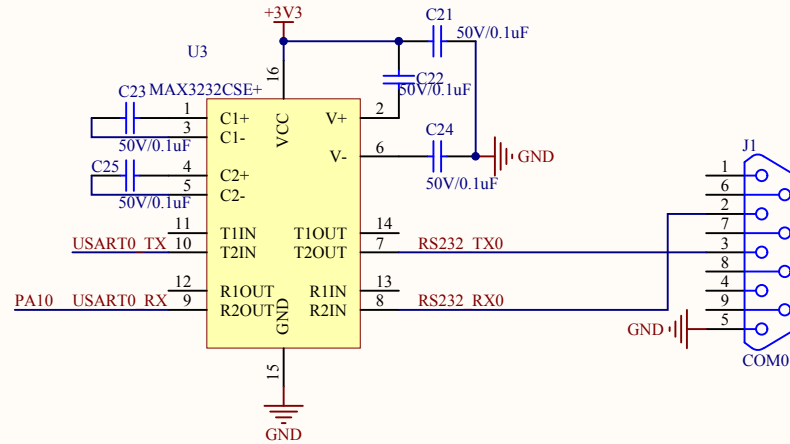
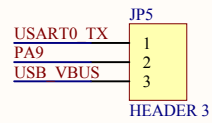
Revision: 1.1

Data: 2015-08

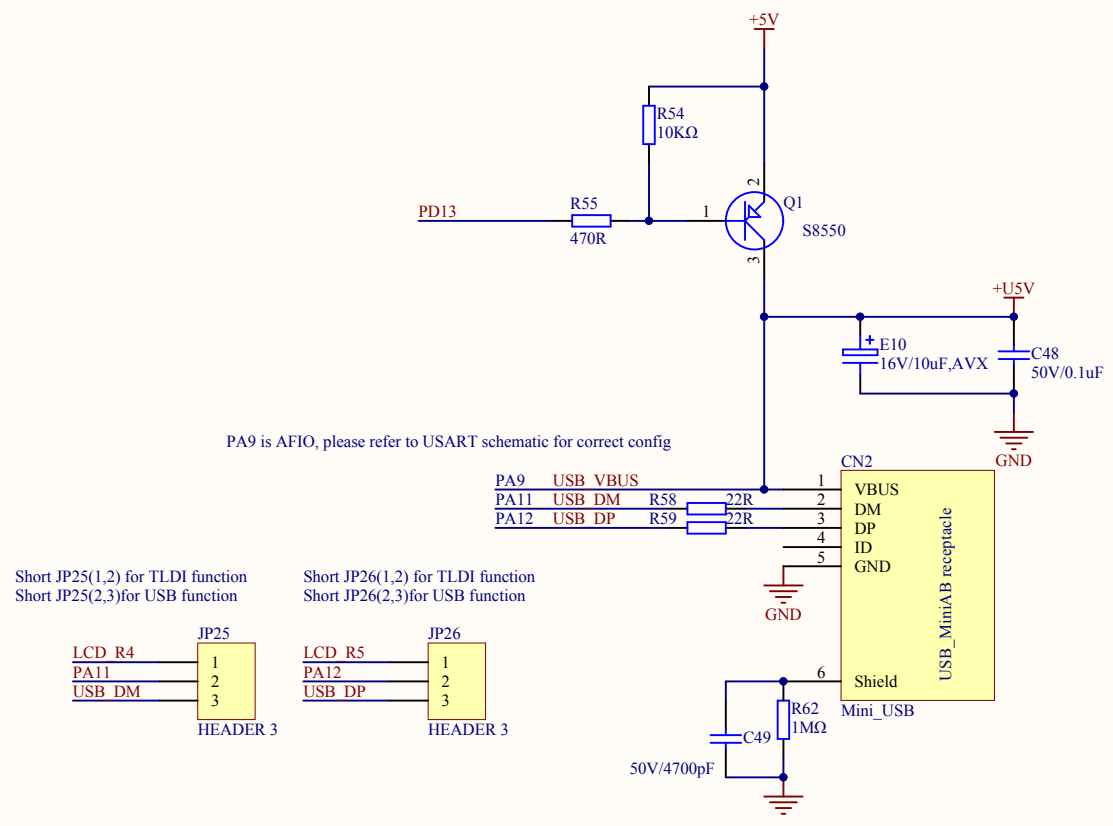
Author: XuFei

### USART

Short JP5(1,2)for USART0 function  
 Short JP5(2,3)for USB Device function



|                                 |               |               |
|---------------------------------|---------------|---------------|
| <b>Company Name: GigaDevice</b> |               |               |
| <b>File Name: USART</b>         |               |               |
| Revision: 1.0                   | Data: 2015-07 | Author: XuFei |



**Company Name: GigaDevice**

**File Name: USB\_OTG**

Revision: 1.1

Data: 2013.9.10

Author: Xufei

