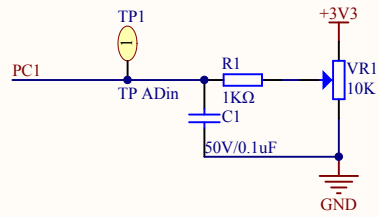
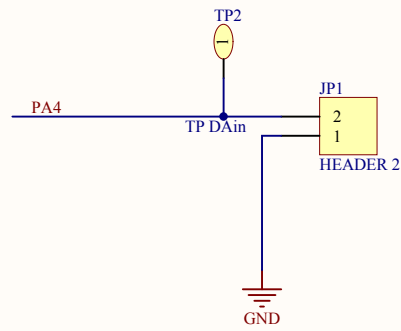


### ADC

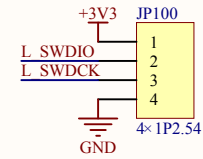


### DAC

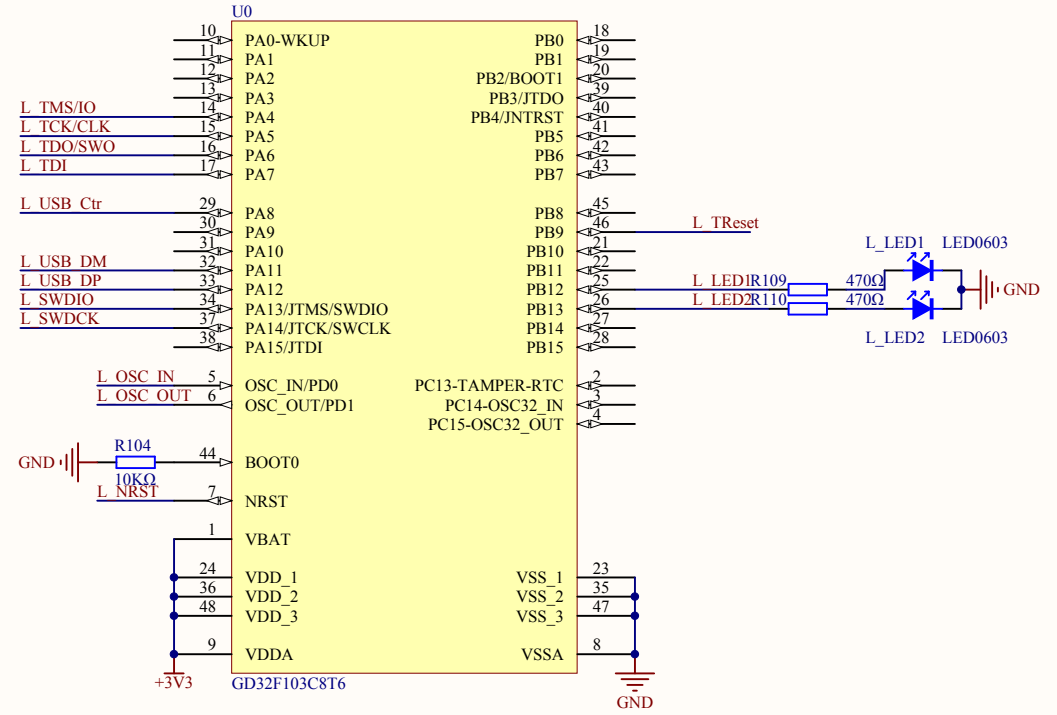
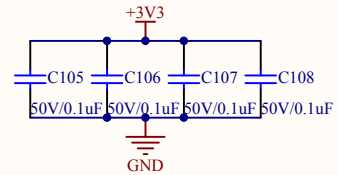
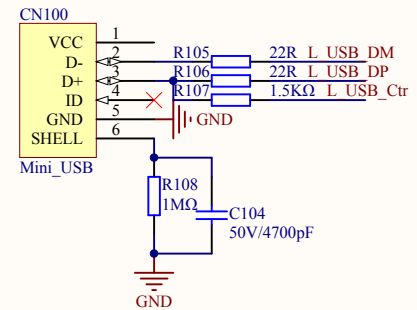
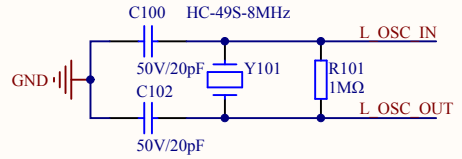
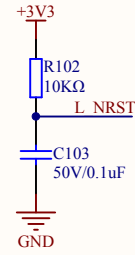


<b>Company Name: GigaDevice</b>		
<b>File Name: AD&amp;DA</b>		
Revision: 1.0	Data: 2017-5	Author: Xufei

### MCU SWD



### Reset



Company Name: GigaDevice

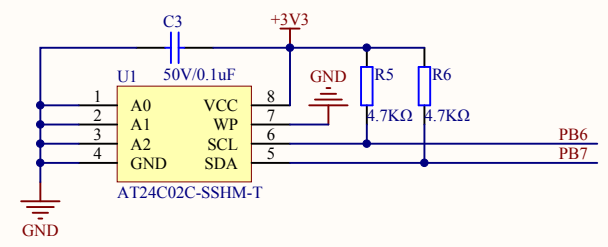
File Name: GDLink

Revision: 1.0

Data: 2015-01-09

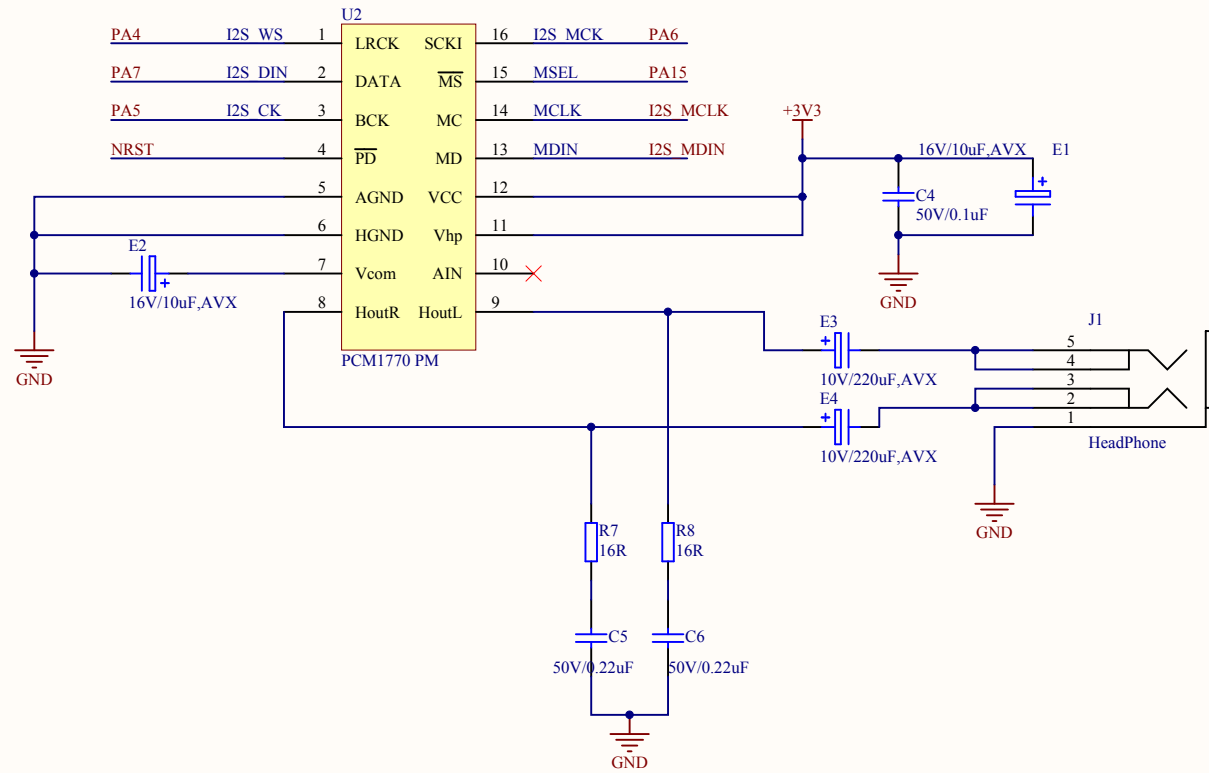
Author: XuFei

### I2C



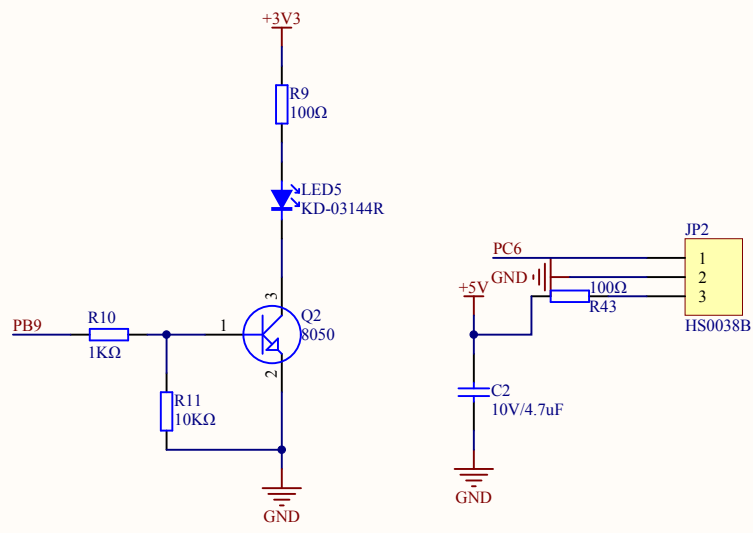
<b>Company Name: GigaDevice</b>		
<b>File Name: I2C</b>		
Revision: 1.0	Data: 2017-5	Author: Xufei

# I2S



<b>Company Name: GigaDevice</b>		
<b>File Name: I2S</b>		
Revision: 1.0	Data: 2017-5	Author: Xufei

### IFRP



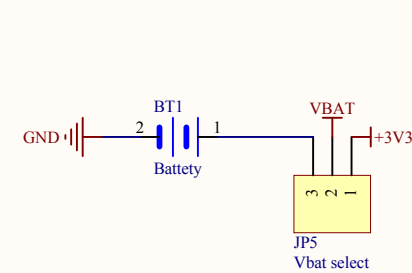
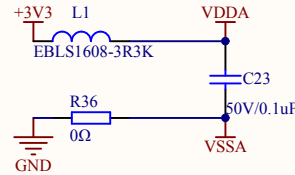
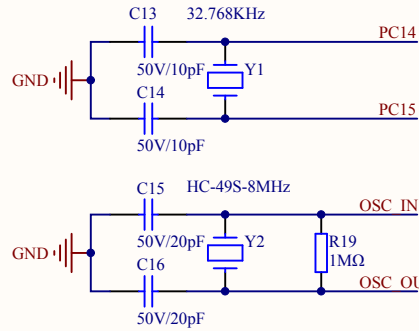
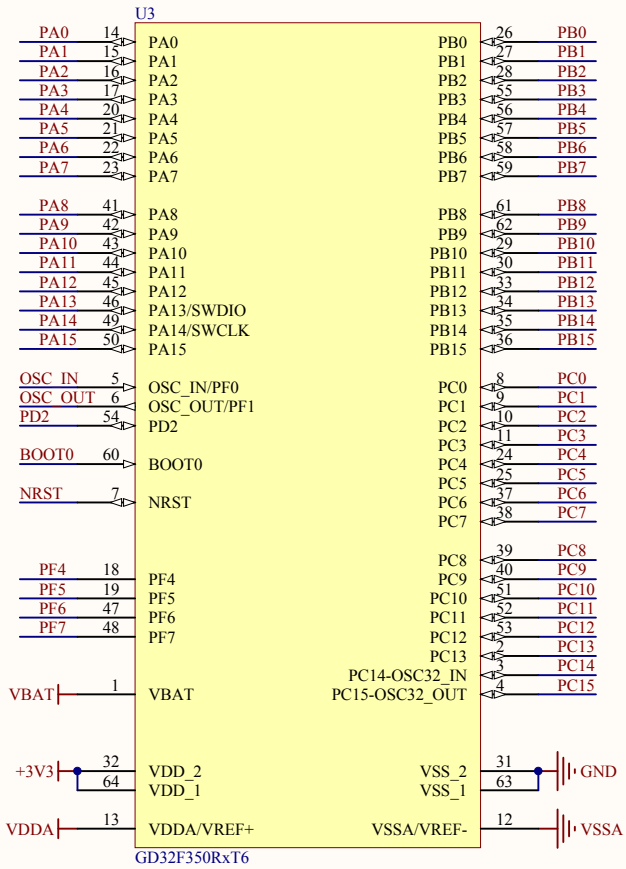
**Company Name: GigaDevice**

**File Name: IFRP**

Revision: 1.0

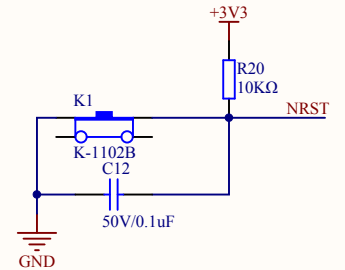
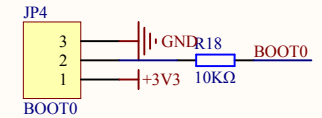
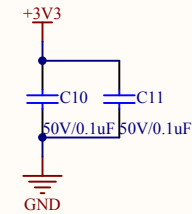
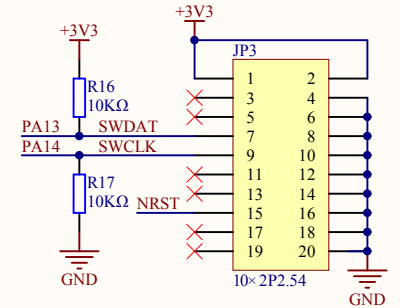
Data: 2017-5

Author: Xufei

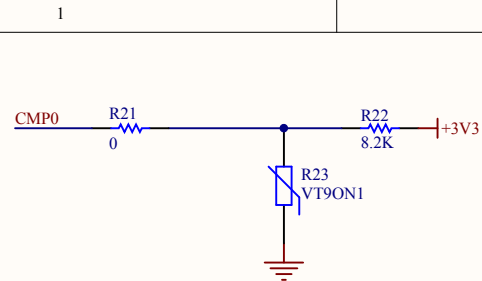


SWD GDLINK

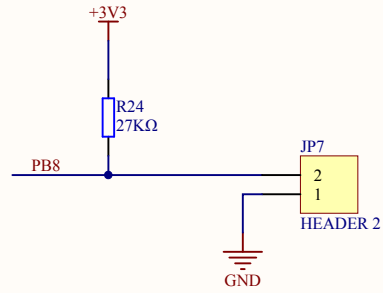
SWDAT	L TMS/IO
SWCLK	L TCK/CLK
NRST	L TRreset



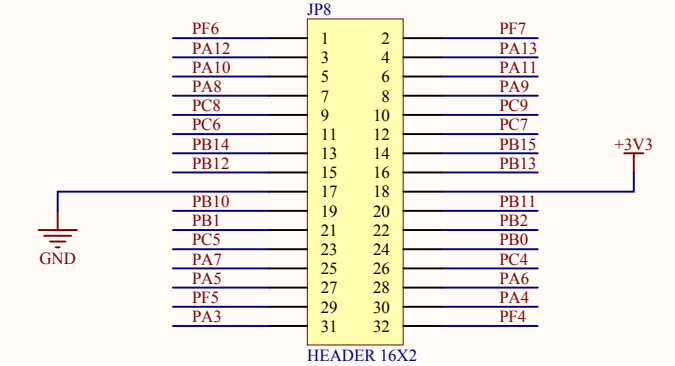
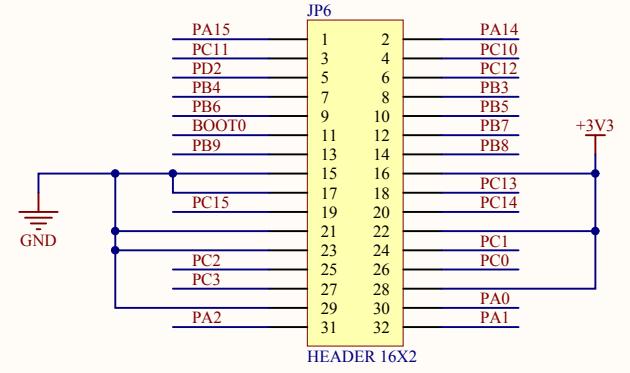
<b>Company Name: GigaDevice</b>		
<b>File Name: MCU</b>		
Revision: 1.0	Data: 2017-5	Author: Xufei



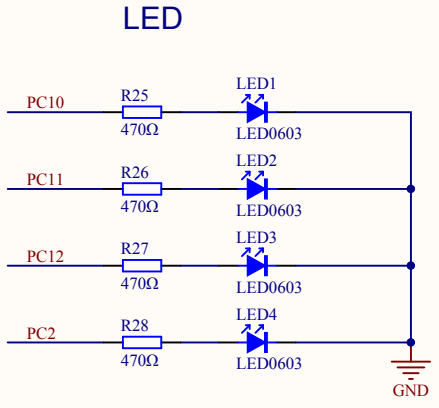
COMPARATOR



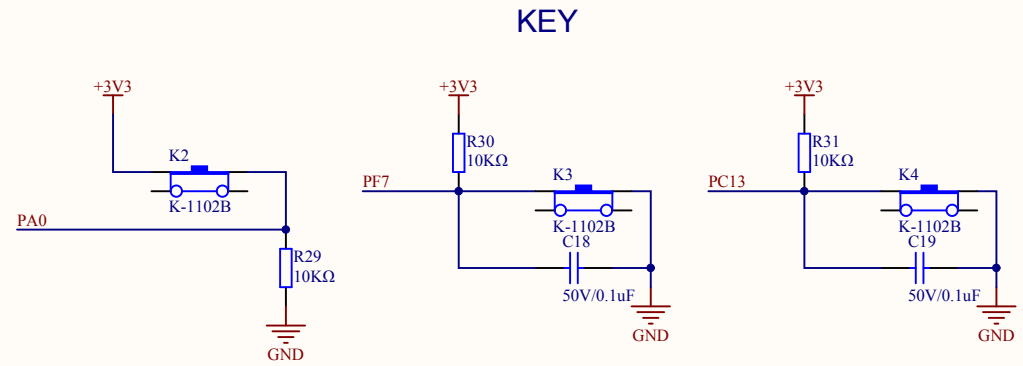
HDMI-CEC



EXTENSION

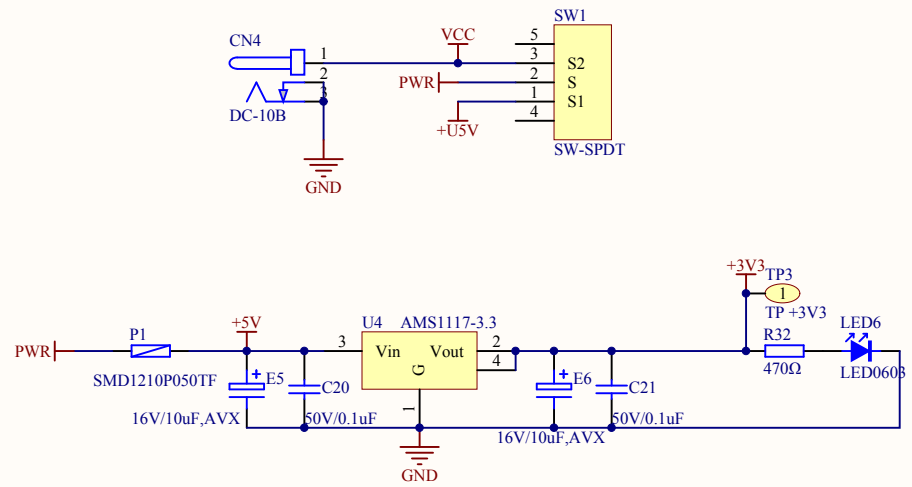


LED



KEY

<b>Company Name: GigaDevice</b>		
<b>File Name: Peripherals</b>		
Revision: 1.0	Data: 2017-5	Author: Xufei



**Company Name: GigaDevice**

**File Name: Power**

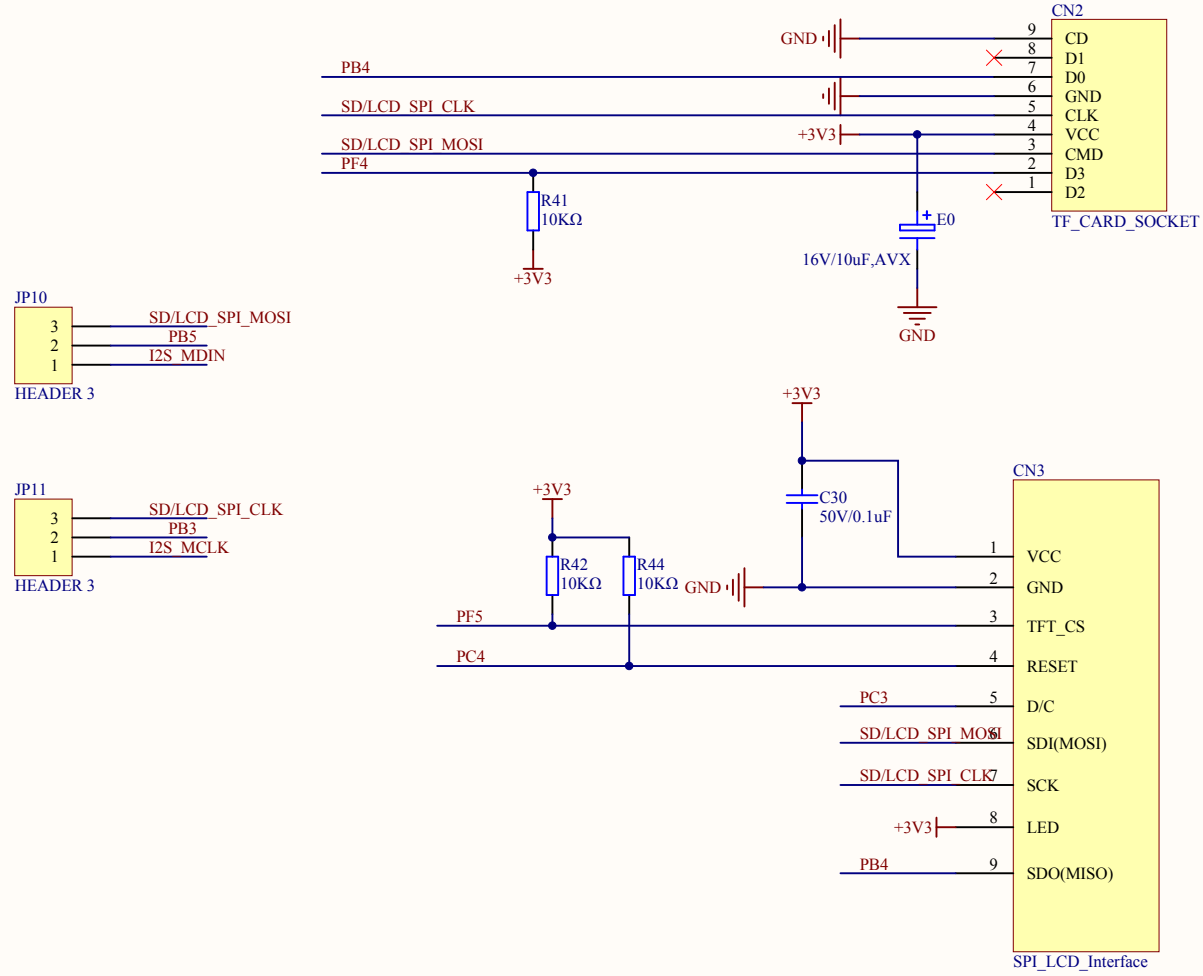
Revision: 1.0

Data: 2017-5

Author: Xufei



# SPI



<b>Company Name: GigaDevice</b>		
<b>File Name: SPI</b>		
Revision: 1.0	Data: 2017-5	Author: Xufei

1

2

3

4

A

A

B

B

C

C

D

D

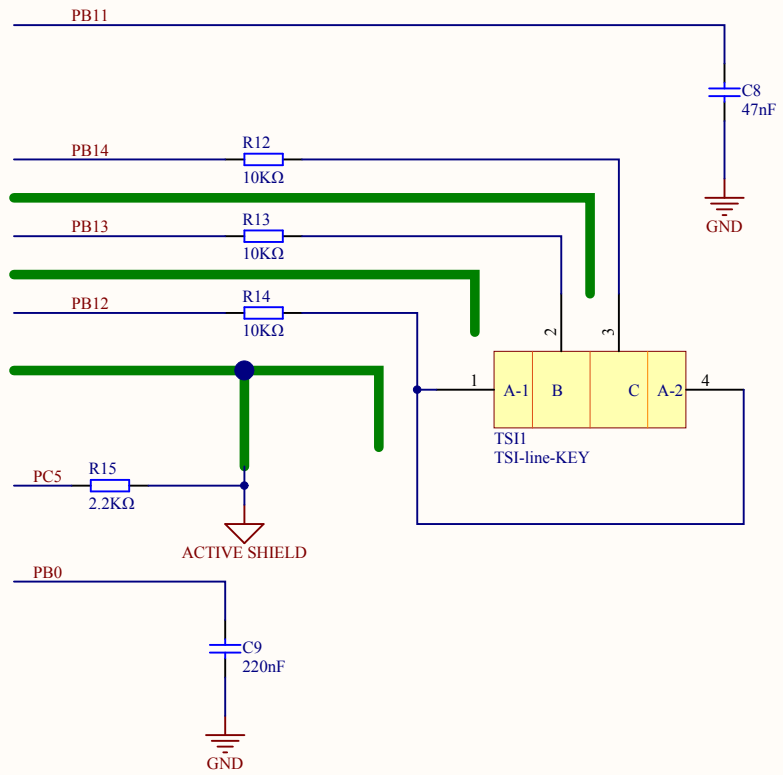
1

2

3

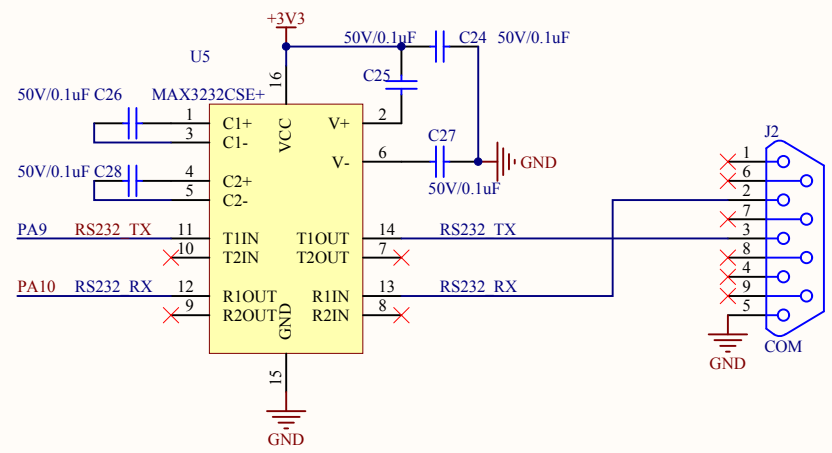
4

# Linear Sensor

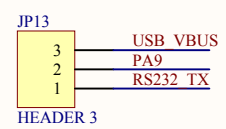
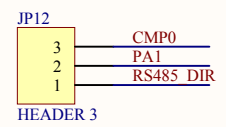
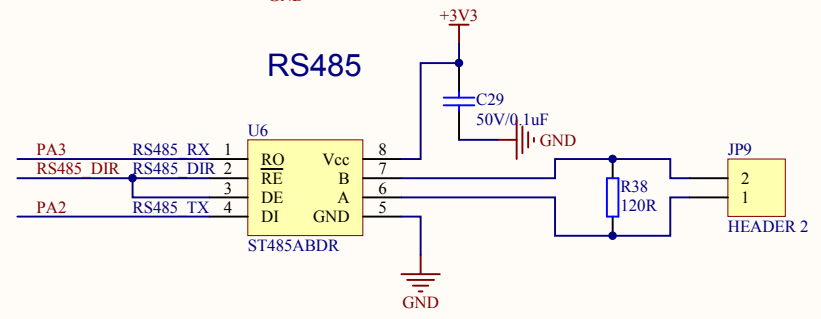


<b>Company Name: GigaDevice</b>		
<b>File Name: TSI</b>		
Revision: 1.0	Data: 2017-5	Author: Xufei

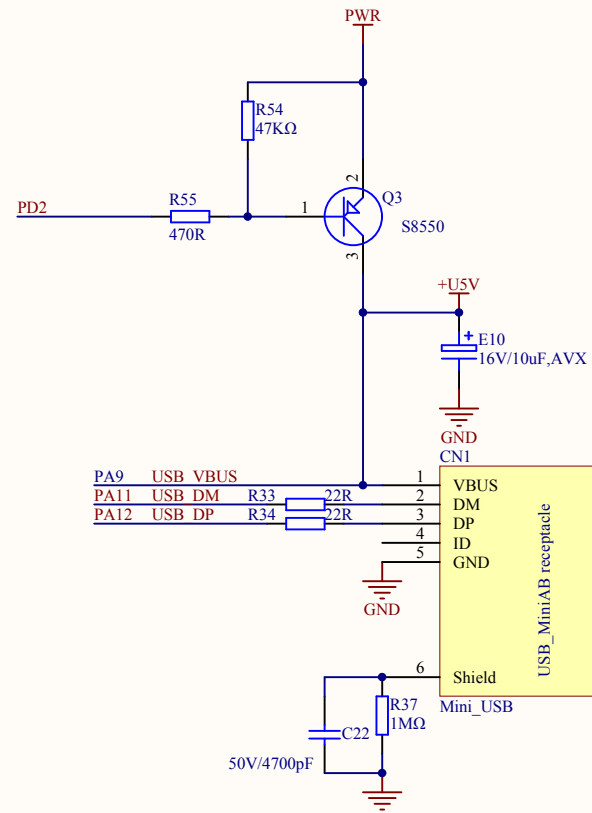
### RS232



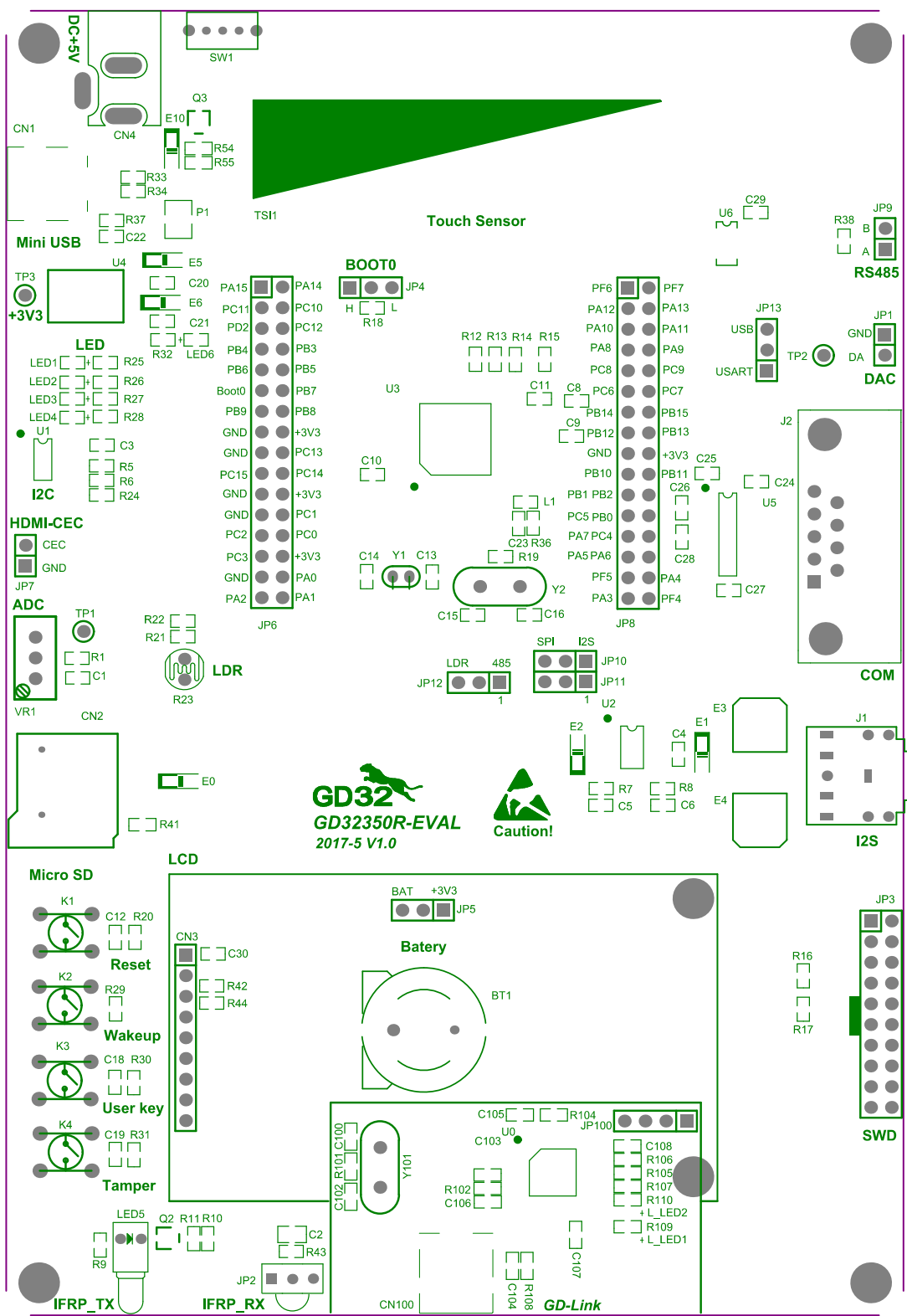
### RS485



<b>Company Name: GigaDevice</b>		
<b>File Name: USART</b>		
Revision: 1.0	Data: 2017-5	Author: Xufei



<b>Company Name: GigaDevice</b>		
<b>File Name: USB</b>		
Revision: 1.0	Data: 2017-5	Author: Xufei



**GD32**  
**GD32350R-EVAL**  
2017-5 V1.0



**Mini USB**

TP3  
**+3V3**

**LED**

LED1  
LED2  
LED3  
LED4  
R25  
R26  
R27  
R28

**I2C**

U1  
C3  
R5  
R6  
R24

**HDMI-CEC**

CEC  
GND  
JP7

**ADC**

TP1  
R1  
C1  
VR1  
CN2

**Reset**

K1  
C12  
R20

**Wakeup**

K2  
R29

**User key**

K3  
C18  
R30

**Tamper**

K4  
C19  
R31

**LED5**

LED5  
R9  
Q2  
R11  
R10

**IFRP\_TX**

IFRP\_TX  
R9

**IFRP\_RX**

IFRP\_RX  
R9

**LCD**

CN3  
C30  
R42  
R44

Y101  
C102  
R101  
C100  
R102  
C106  
R104  
C105  
C103  
U0  
R108  
C104  
E1  
C107

Y101  
C102  
R101  
C100  
R102  
C106  
R104  
C105  
C103  
U0  
R108  
C104  
E1  
C107

CN100  
R108  
C104  
**GD-Link**

**Touch Sensor**

**BOOT0**

JP4  
H  
L  
R18

R12  
R13  
R14  
R15  
C11  
C8  
C9  
C10

U3  
C10  
C14  
Y1  
C13  
C15  
C16

L1  
C23  
R36  
R19  
Y2  
C15  
C16

LDR 485  
JP12  
1

SPI I2S  
JP10  
JP11  
U2

R7  
R8  
C5  
C6

JP3  
R16  
R17

C108  
R106  
R105  
R107  
R110  
L\_LED2  
R109  
L\_LED1

CN100  
R108  
C104  
**GD-Link**

**RS485**

JP9  
B  
A

**DAC**

JP1  
GND  
DA

**COM**

J2  
C24  
U5

**I2S**

J1  
JP3

**SWD**

JP3  
R16  
R17

C108  
R106  
R105  
R107  
R110  
L\_LED2  
R109  
L\_LED1

CN100  
R108  
C104  
**GD-Link**