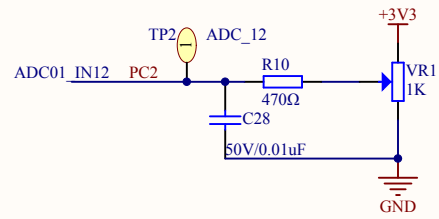
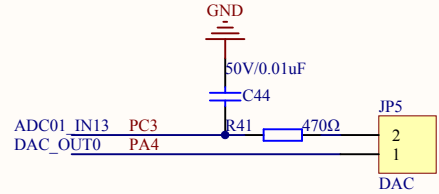


ADC



DAC



Company Name: GigaDevice

File Name: AD_DA

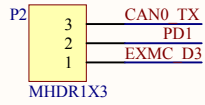
Revision: 1.1

Data: 2020-6

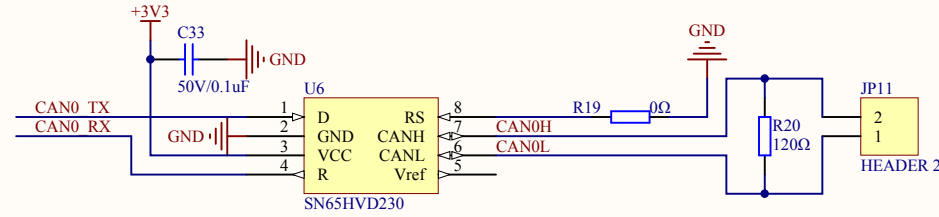
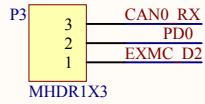
Author: XuFei

CAN

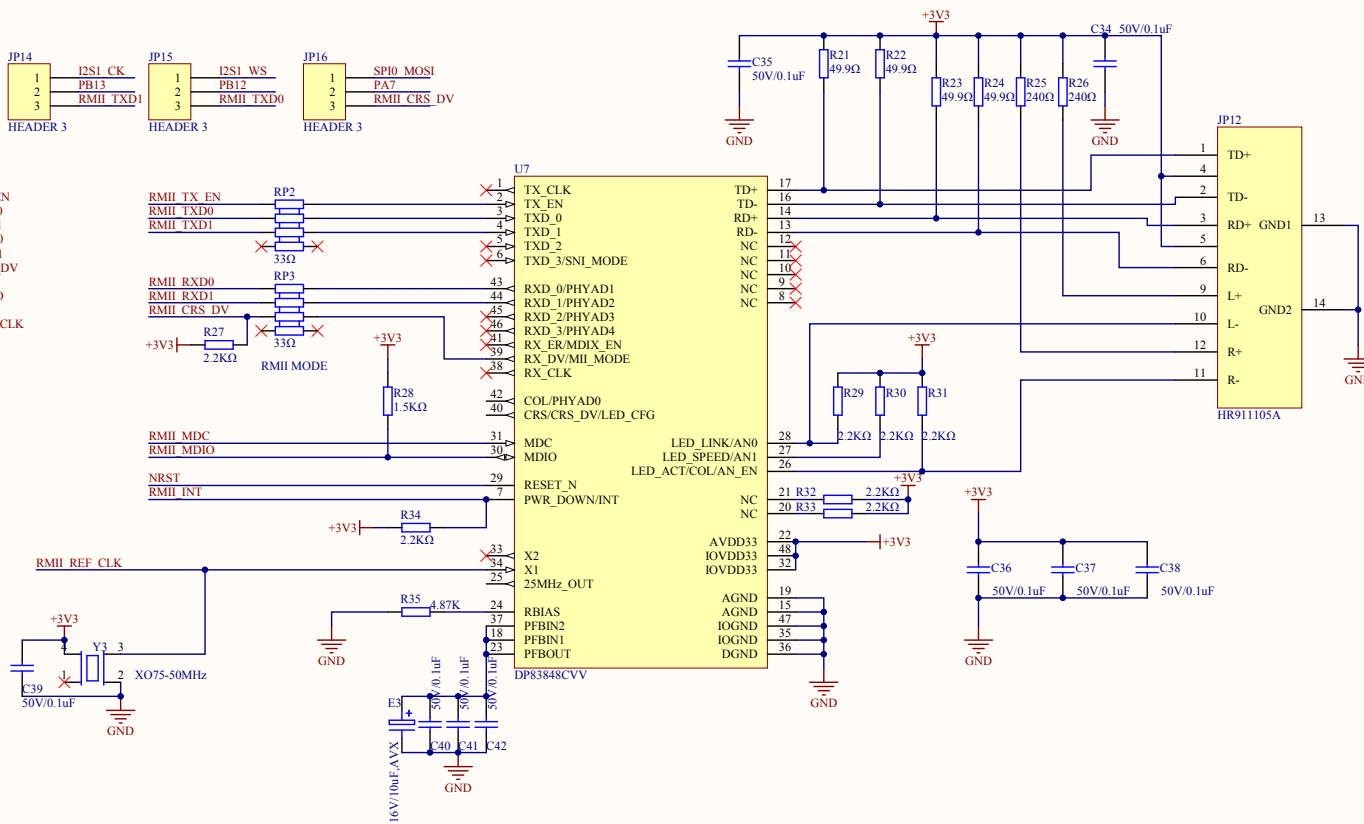
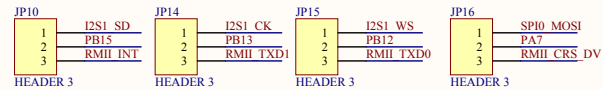
Short P2(1,2) for EXMC function
Short P2(2,3) for CAN0 function



Short P3(1,2) for EXMC function
Short P3(2,3) for CAN0 function

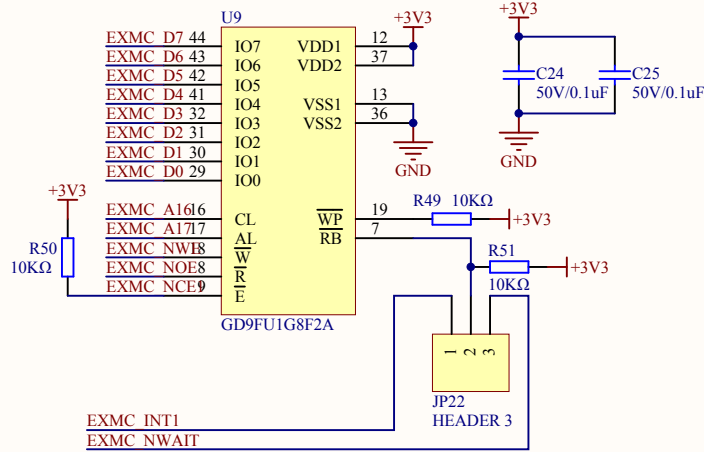


Company Name: GigaDevice		
File Name: CAN		
Revision: 1.0	Data: 2020-3	Author: XuFei

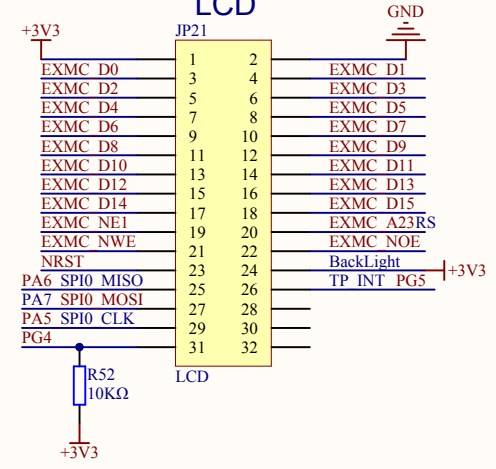


Company Name: GigaDevice		
File Name: Ethernet		
Revision: 1.0	Date: 2020-3	Author: XuFei

Nand Flash



LCD

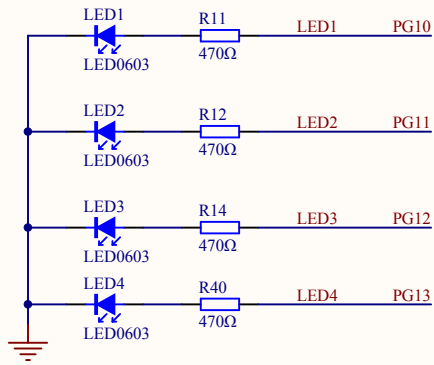


PD0,PD1 are AFIOs, please refer to CAN schematic for right config

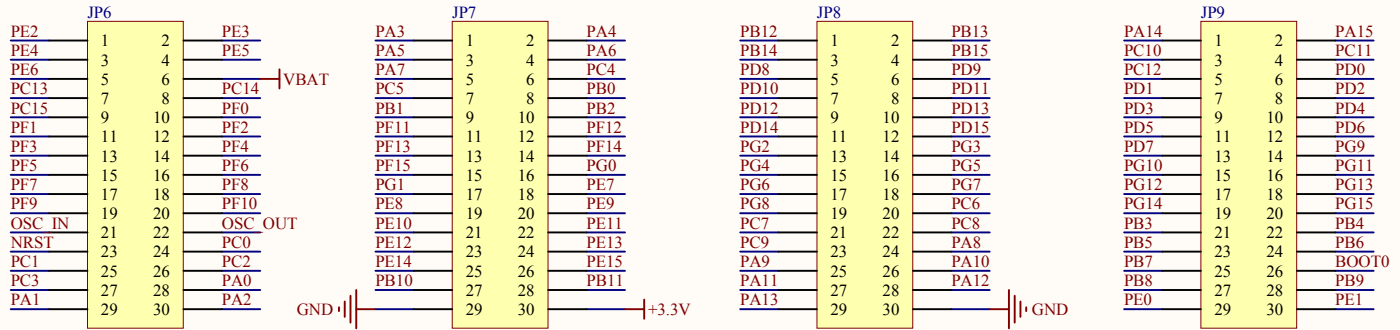
PD14	EXMC D0	PD11	EXMC A16
PD15	EXMC D1	PD12	EXMC A17
PD0	EXMC D2	PE2	EXMC A23
PD1	EXMC D3	PD4	EXMC NOE
PE7	EXMC D4	PD5	EXMC NWE
PE8	EXMC D5	PD6	EXMC NWAIT
PE9	EXMC D6	PD7	EXMC NCE1
PE10	EXMC D7	PG6	EXMC INT1
PE11	EXMC D8	PG9	EXMC NE1
PE12	EXMC D9		
PE13	EXMC D10		
PE14	EXMC D11		
PE15	EXMC D12		
PD8	EXMC D13		
PD9	EXMC D14		
PD10	EXMC D15		

Company Name: GigaDevice		
File Name: EXMC		
Revision: 1.0	Data: 2020-3	Author: XuFei

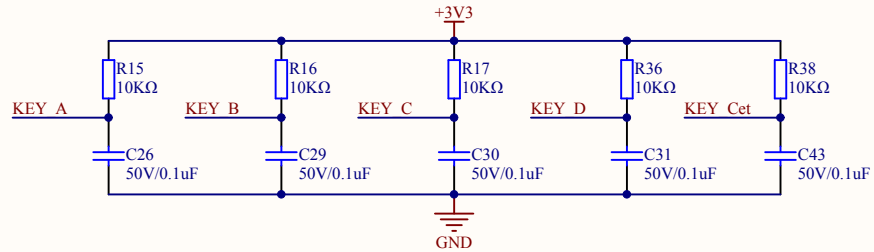
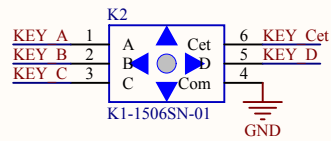
LED



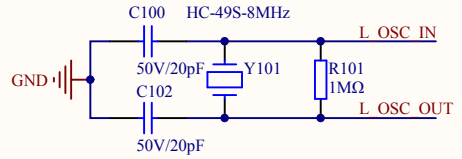
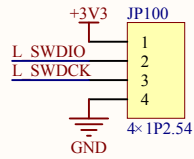
Extension Pin



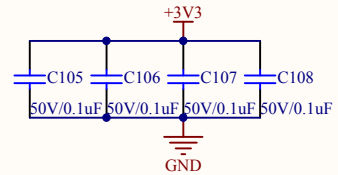
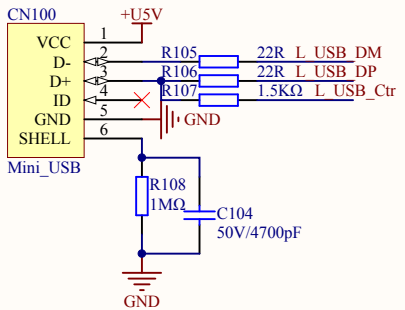
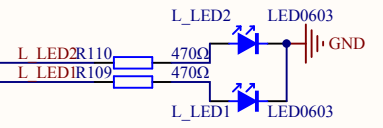
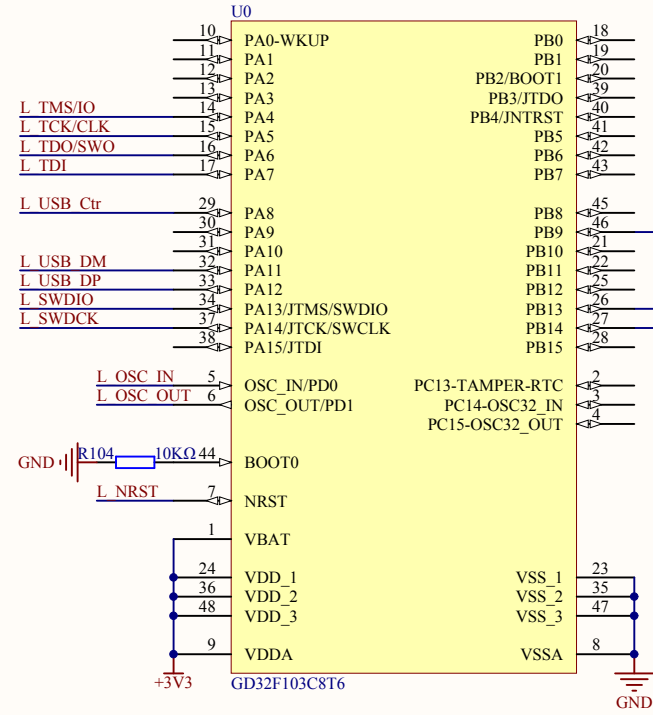
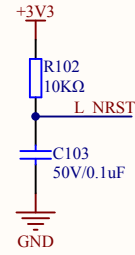
KEY



Company Name: GigaDevice		
File Name: Extension		
Revision: 1.0	Data: 2016-7	Author: XuFei

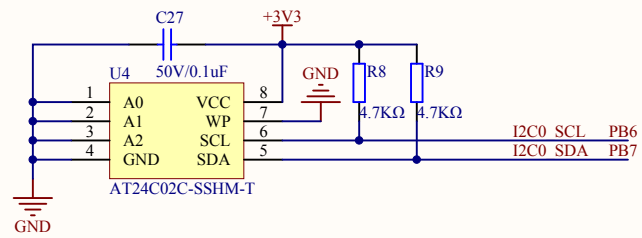


Reset

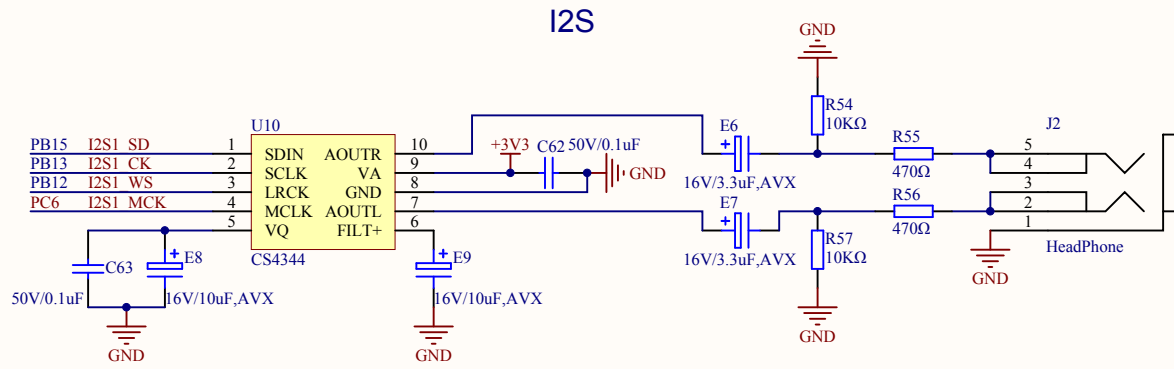


Company Name: GigaDevice		
File Name: GDLink		
Revision: 1.1	Data: 2020-6	Author: XuFei

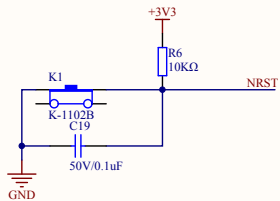
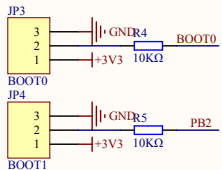
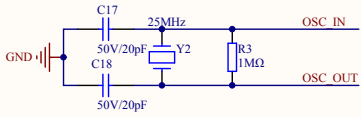
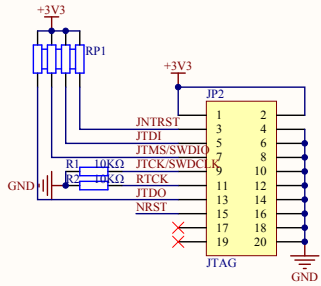
I2C



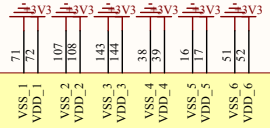
Company Name: GigaDevice		
File Name: I2C		
Revision: 1.0	Data: 2020-3	Author: XuFei



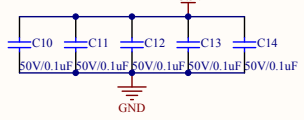
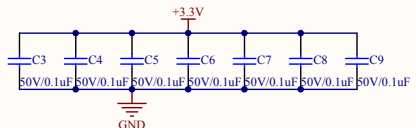
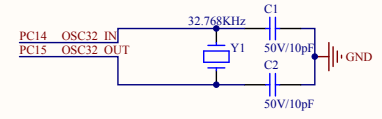
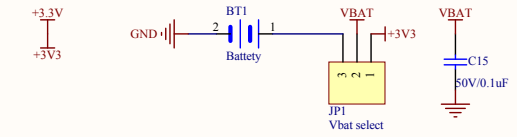
Company Name: GigaDevice		
File Name: I2S		
Revision: 1.1	Data: 2020-3	Author: Xufei



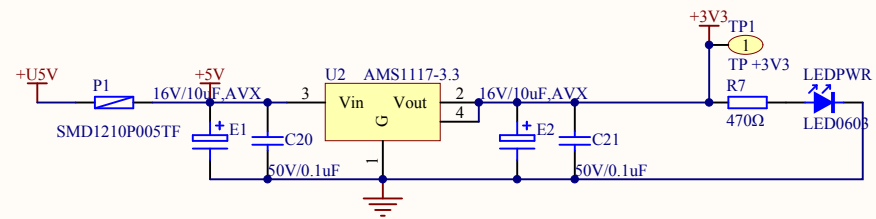
PA0	34	PA0
PA1	35	PA1
PA2	36	PA2
PA3	37	PA3
PA4	40	PA4
PA5	41	PA5
PA6	42	PA6
PA7	43	PA7
PA8	100	PA8
PA9	101	PA9
PA10	102	PA10
PA11	103	PA11
PA12	104	PA12
PA13	105	PA13/JTMS-SWDIO
PA14	109	PA14/JTCK-SWCLK
PA15	110	PA15
PB0	46	PB0
PB1	47	PB1
PB2	48	PB2
PB3	133	PB3
PB4	134	PB4
PB5	135	PB5
PB6	136	PB6
PB7	137	PB7
PB8	139	PB8
PB9	140	PB9
PB10	69	PB10
PB11	70	PB11
PB12	73	PB12
PB13	74	PB13
PB14	75	PB14
PB15	76	PB15
PC0	26	PC0
PC1	27	PC1
PC2	28	PC2
PC3	29	PC3
PC4	44	PC4
PC5	45	PC5
PC6	96	PC6
PC7	97	PC7
PC8	98	PC8
PC9	99	PC9
PC10	111	PC10
PC11	112	PC11
PC12	113	PC12
PC13	7	PC13
PC14	8	PC14
PC15	9	PC15
PD0	114	PD0
PD1	115	PD1
PD2	116	PD2
PD3	117	PD3
PD4	118	PD4
PD5	119	PD5
PD6	122	PD6
PD7	123	PD7
PD8	77	PD8
PD9	78	PD9
PD10	79	PD10
PD11	80	PD11
PD12	81	PD12
PD13	82	PD13
PD14	85	PD14
PD15	86	PD15



U1	GD32F507ZET6	
PG0	56	PG0
PG1	57	PG1
PG2	87	PG2
PG3	88	PG3
PG4	89	PG4
PG5	91	PG6
PG6	92	PG7
PG7	93	PG8
PG8	124	PG9
PG9	125	PG10
PG10	126	PG11
PG12	127	PG12
PG13	128	PG13
PG14	129	PG14
PG15	132	PG15
PF0	10	PF0
PF1	11	PF1
PF2	12	PF2
PF3	13	PF3
PF4	14	PF4
PF5	15	PF5
PF6	18	PF6
PF7	19	PF7
PF8	20	PF8
PF9	21	PF9
PF10	22	PF10
PF11	49	PF11
PF12	50	PF12
PF13	53	PF13
PF14	54	PF14
PF15	55	PF15
PE0	141	PE0
PE1	142	PE1
PE2	1	PE2
PE3	2	PE3
PE4	3	PE4
PE5	4	PE5
PE6	5	PE6
PE7	58	PE7
PE8	59	PE8
PE9	60	PE9
PE10	63	PE10
PE11	64	PE11
PE12	65	PE12
PE13	66	PE13
PE14	67	PE14
PE15	68	PE15
VSS_7	61	+3V3
VDD_7	62	+3V3
VSS_8	83	+3V3
VDD_8	84	+3V3
VSS_9	94	+3V3
VDD_9	95	+3V3
VSS_10	120	+3V3
VDD_10	121	+3V3
VSS_11	130	+3V3
VDD_11	131	+3V3
VSSA	30	
VREF	31	
VREF	32	
VDDA	33	+3V3



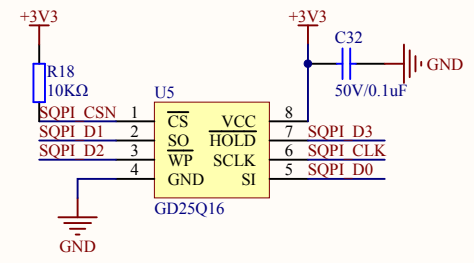
Company Name: GigaDevice		
File Name: MCU		
Revision: 1.0	Date: 2020-5	Author: XuFei



Company Name: GigaDevice		
File Name: Power		
Revision: 1.0	Data: 2020-3	Author: XuFei

SQPI Flash

PF0	SQPI D0
PF2	SQPI D2
PF4	SQPI D1
PF6	SQPI CSN
PF8	SQPI CLK
PF10	SQPI D3



Company Name: GigaDevice

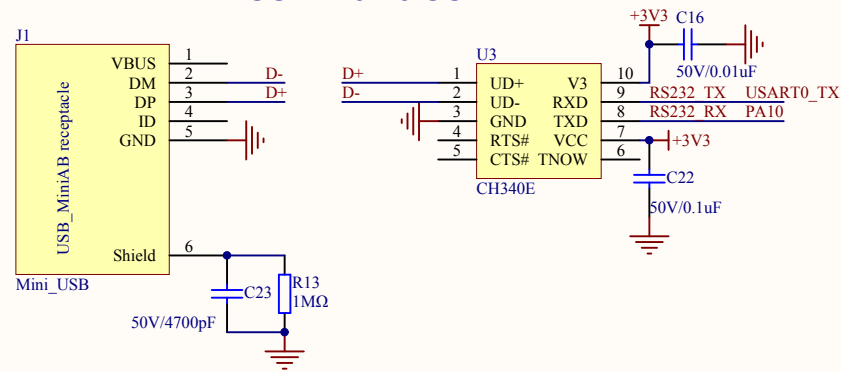
File Name: SQPI

Revision: 1.0

Data: 2020-3

Author: XuFei

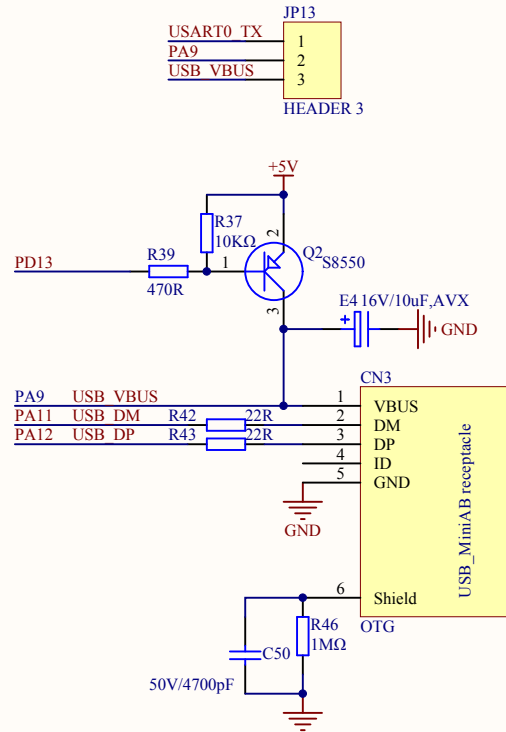
USART0 To USB



Company Name: GigaDevice		
File Name: USART		
Revision: 1.0	Data: 2020-3	Author: XuFei

USB

Short JP13(1,2)for USART0 function
Short JP13(2,3)for USB function



Company Name: GigaDevice

File Name: USB

Revision: 1.1

Data: 2020-3

Author: Xufei

