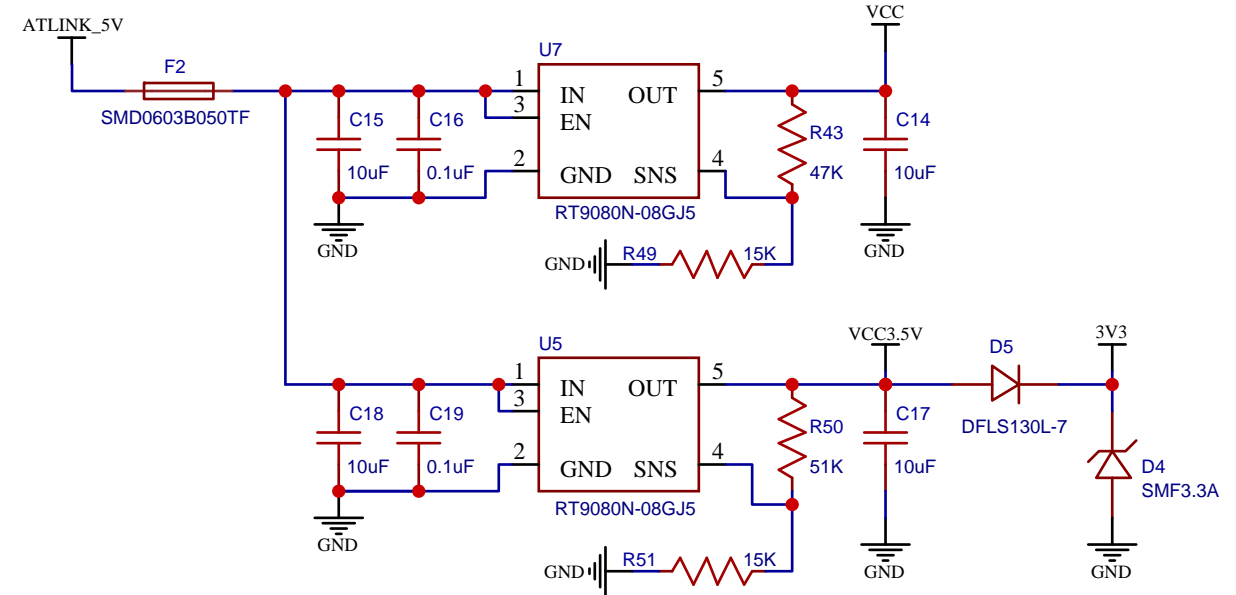
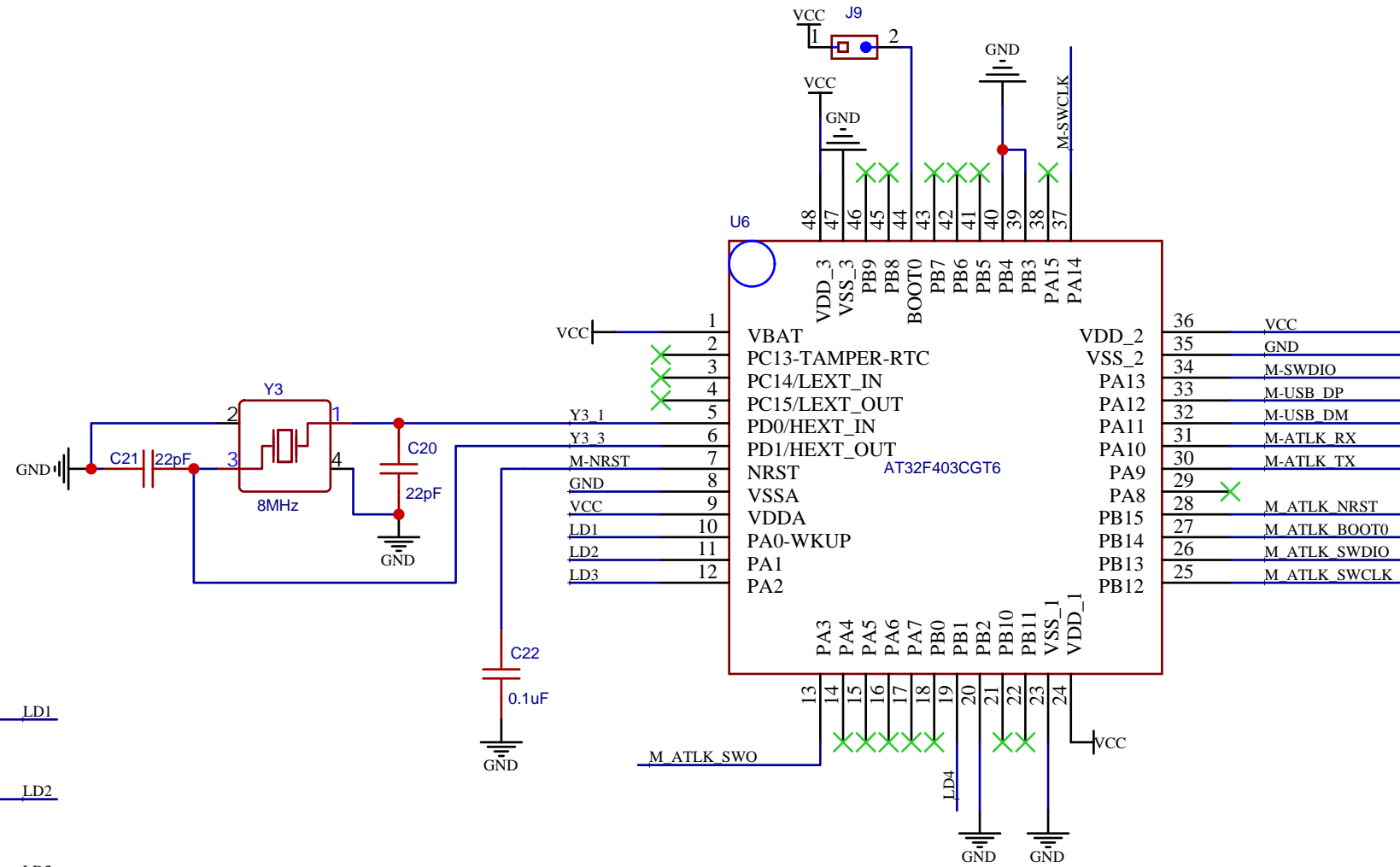
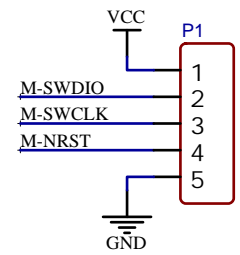
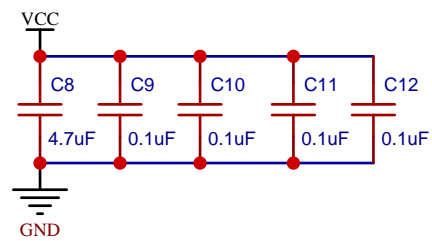


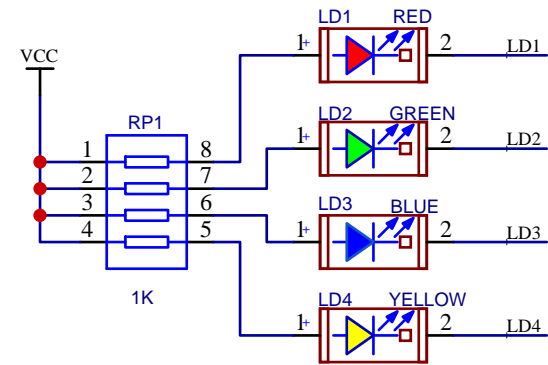
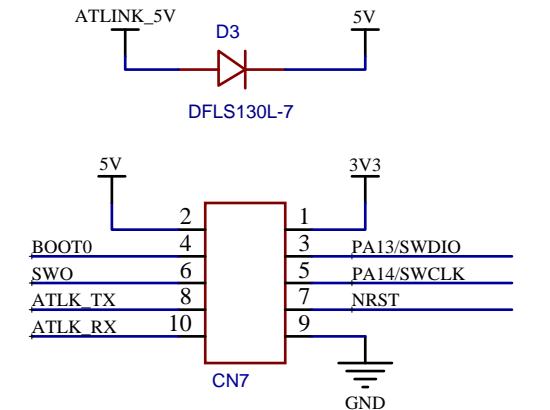
AT-Link USB



AT-Link power supply



M_ATLK_BOOT0	R45	33R	BOOT0
M_ATLK_NRST	R46	33R	NRST
M-ATLK_TX	R47	33R	ATLK_TX
M-ATLK_RX	R48	33R	ATLK_RX
M_ATLK_SWO	R52	33R	SWO
M_ATLK_SWCLK	R41	33R	PA14/SWCLK
M_ATLK_SWDIO	R44	33R	PA13/SWDIO

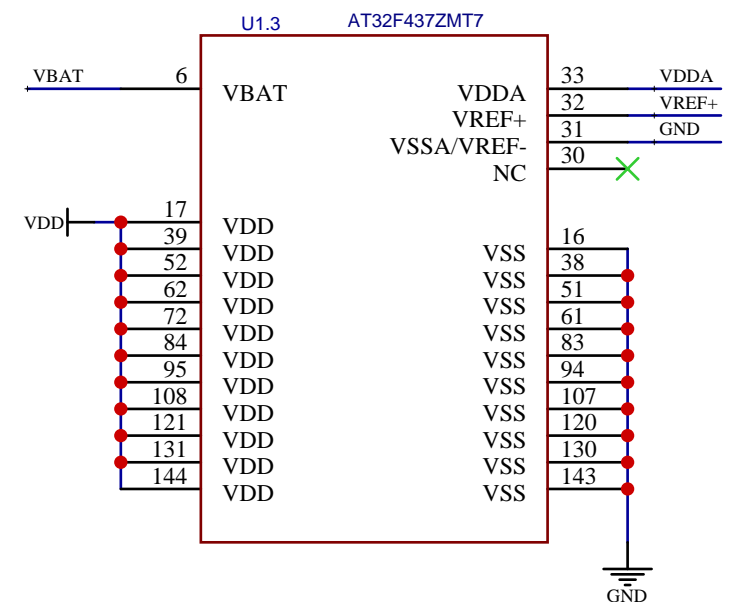
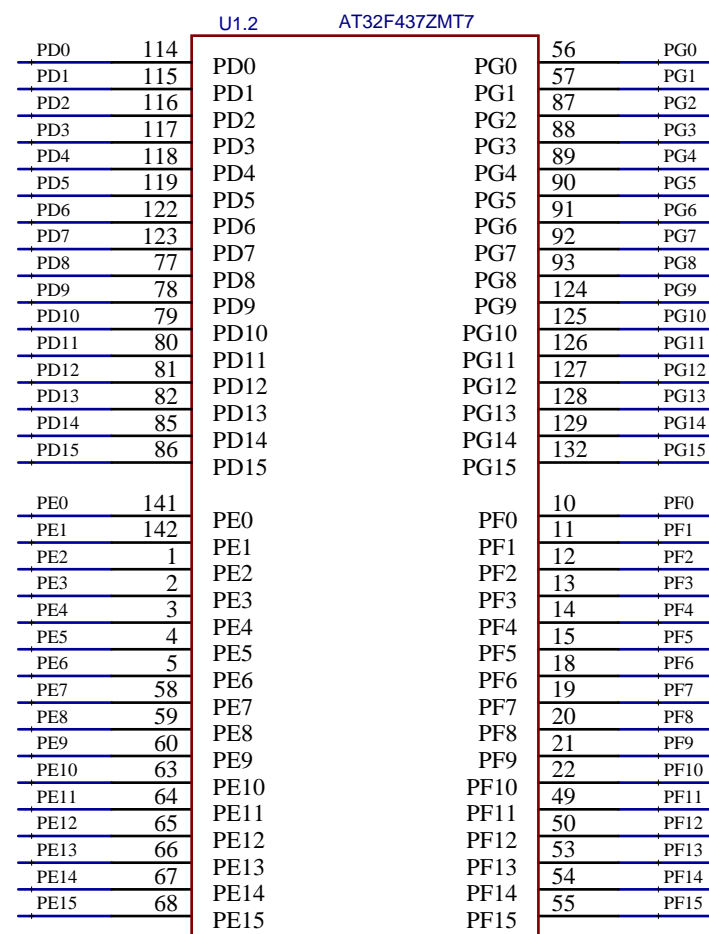
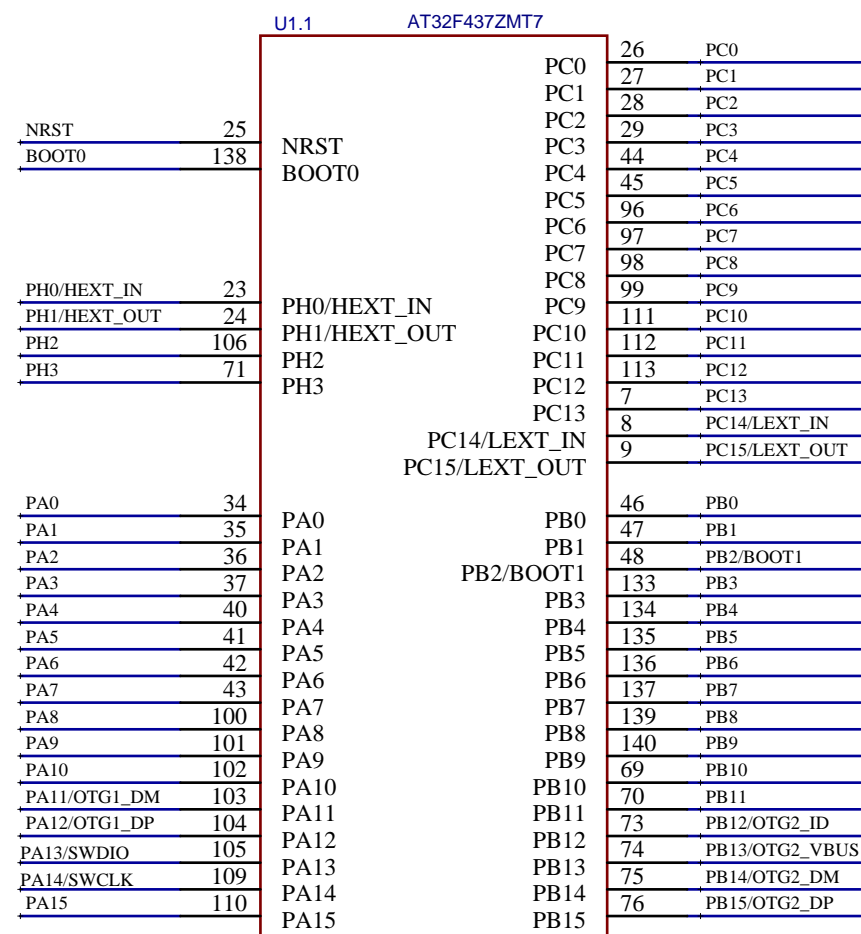


LD1-4:For AT-Link-EZ status

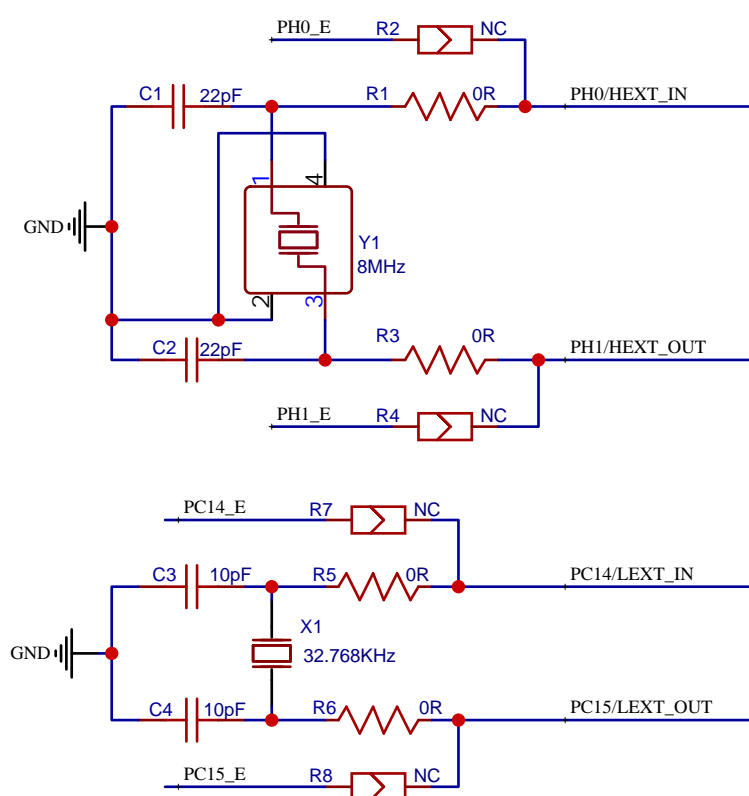
AT-Link MCU

TITLE:	AT-Link-EZ	REV: 1.2
Company:	Artery Technology	Sheet: 1
Date:	2021-11-20	Drawn By:

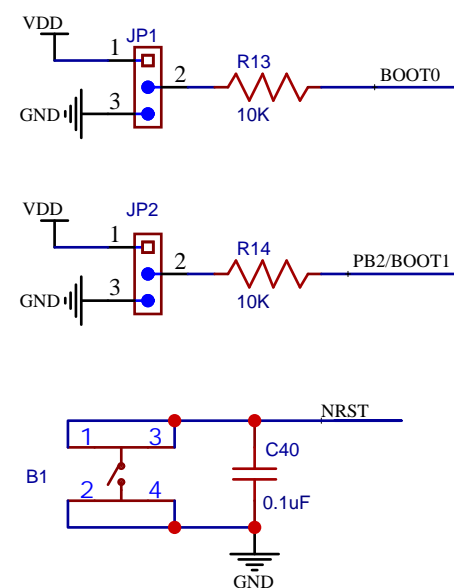




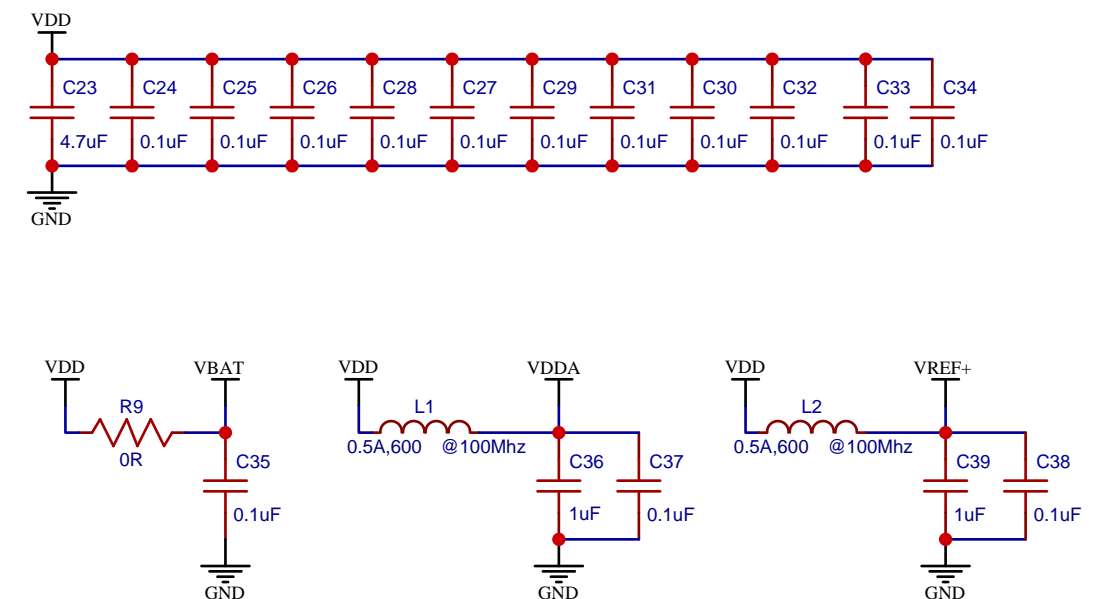
MCU



Crystal



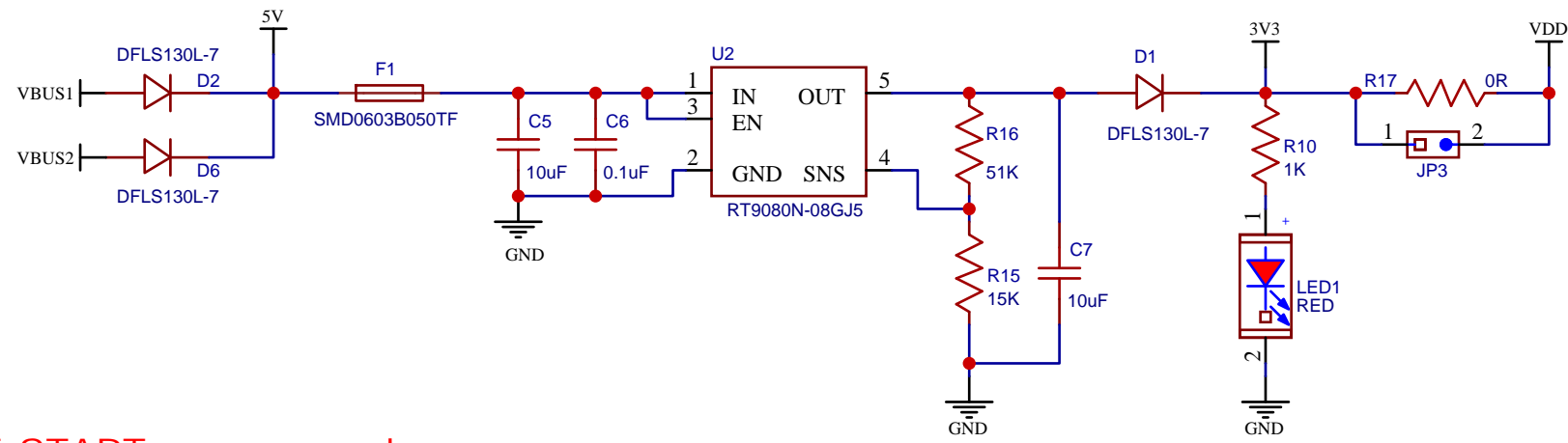
Boot & Reset



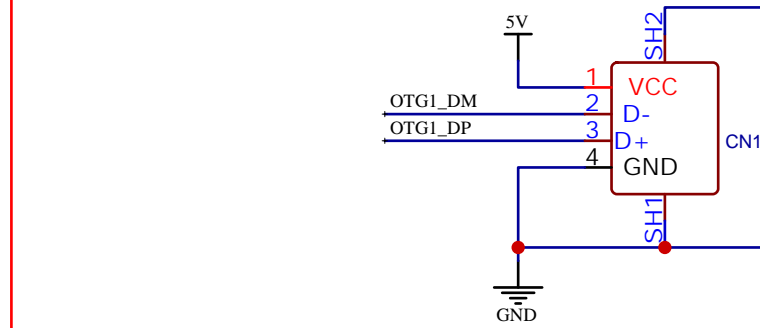
MCU power supply

TITLE:	MCU	REV: 1.0
Company:	Artery Technology	Sheet: 2
Date:	2021-11-20	Drawn By:

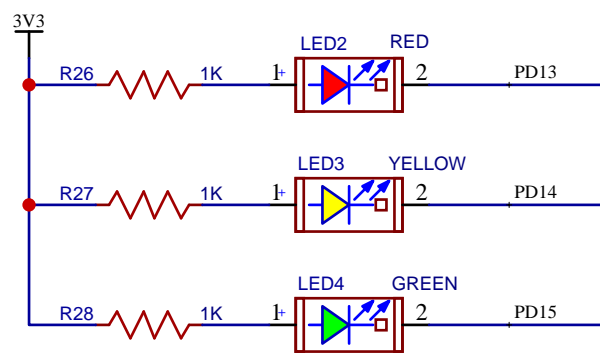




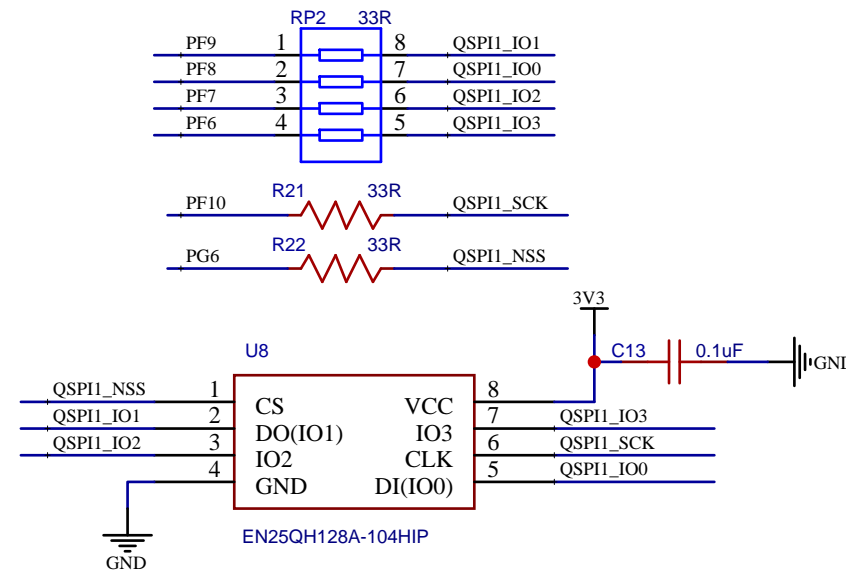
AT-START power supply



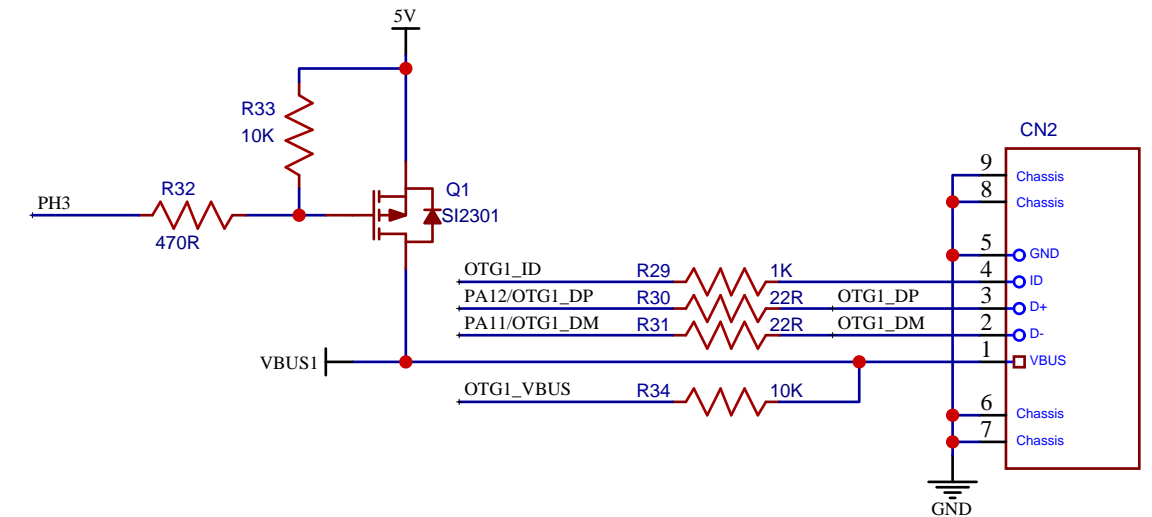
OTG1_host



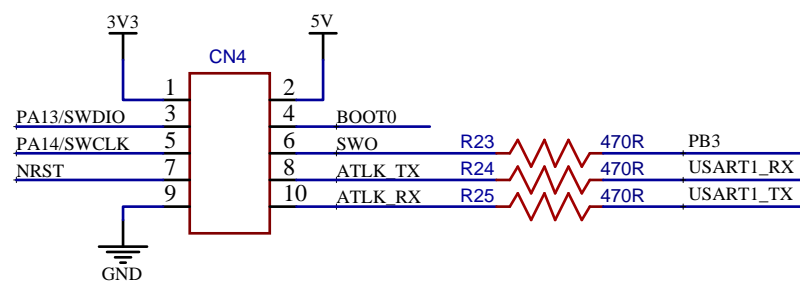
LED



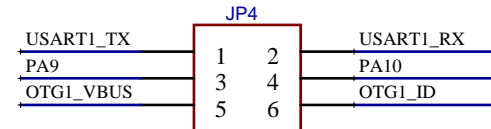
QSPI flash



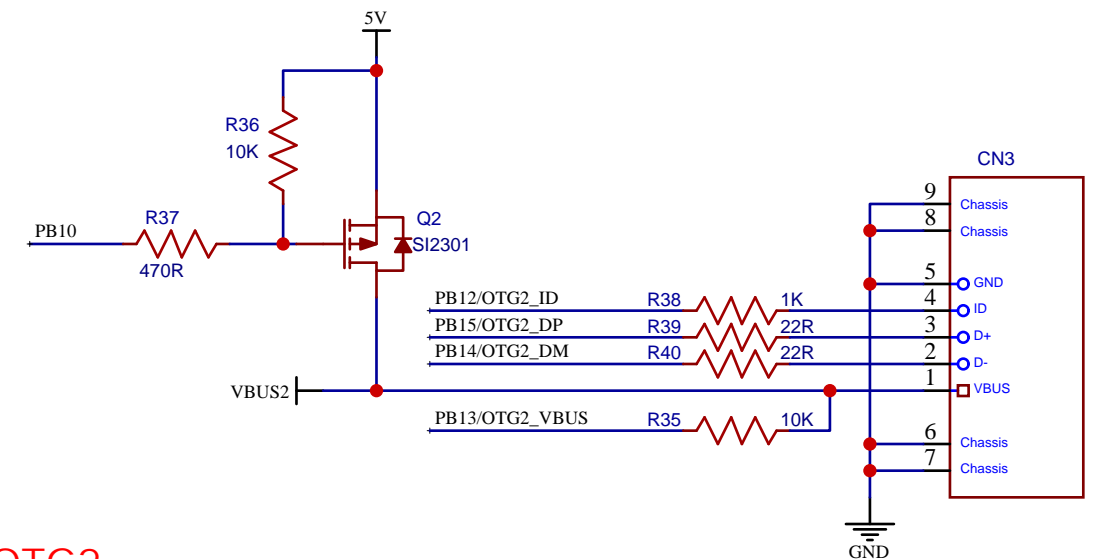
OTG1



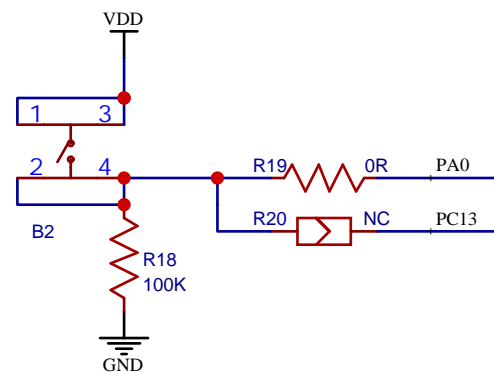
AT-Link connector



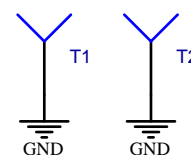
USART1 / OTG1 selection



OTG2

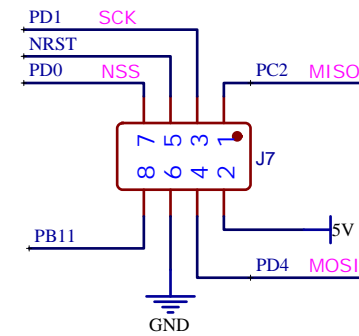
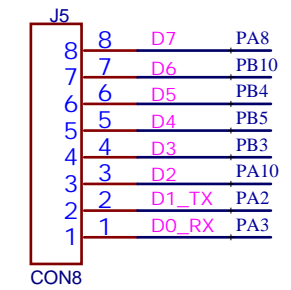
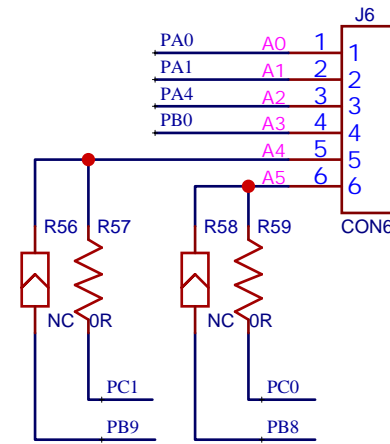
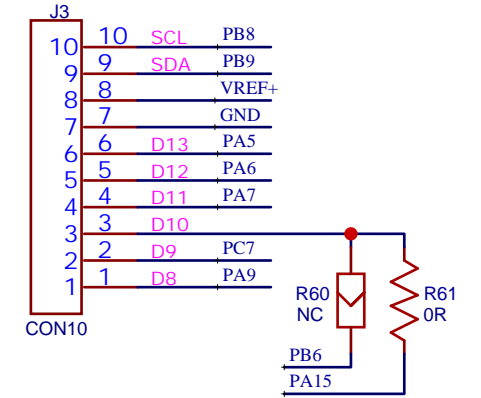
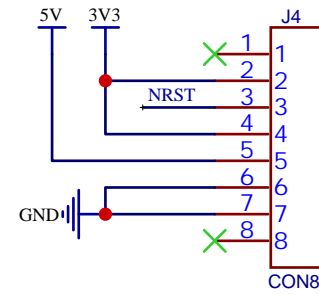
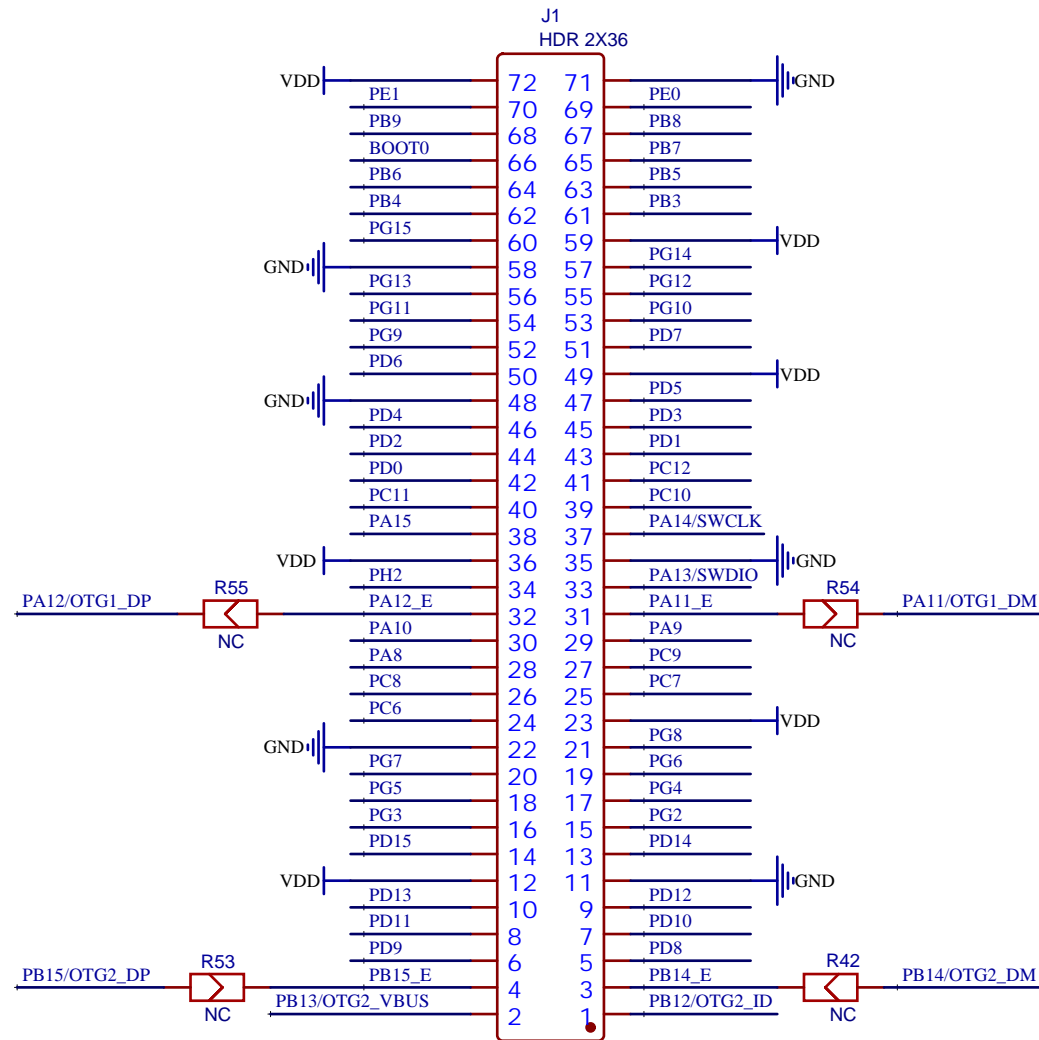
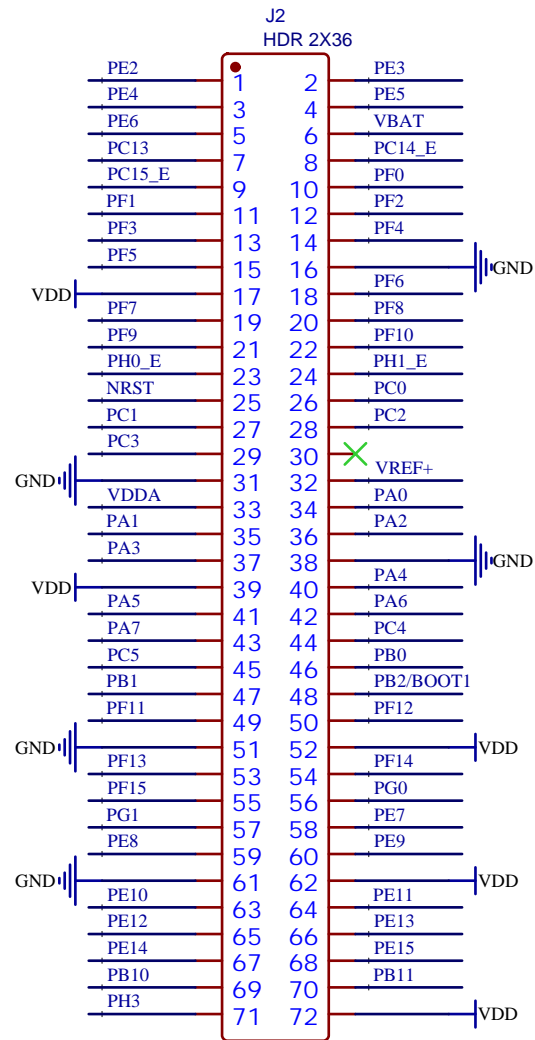


User key



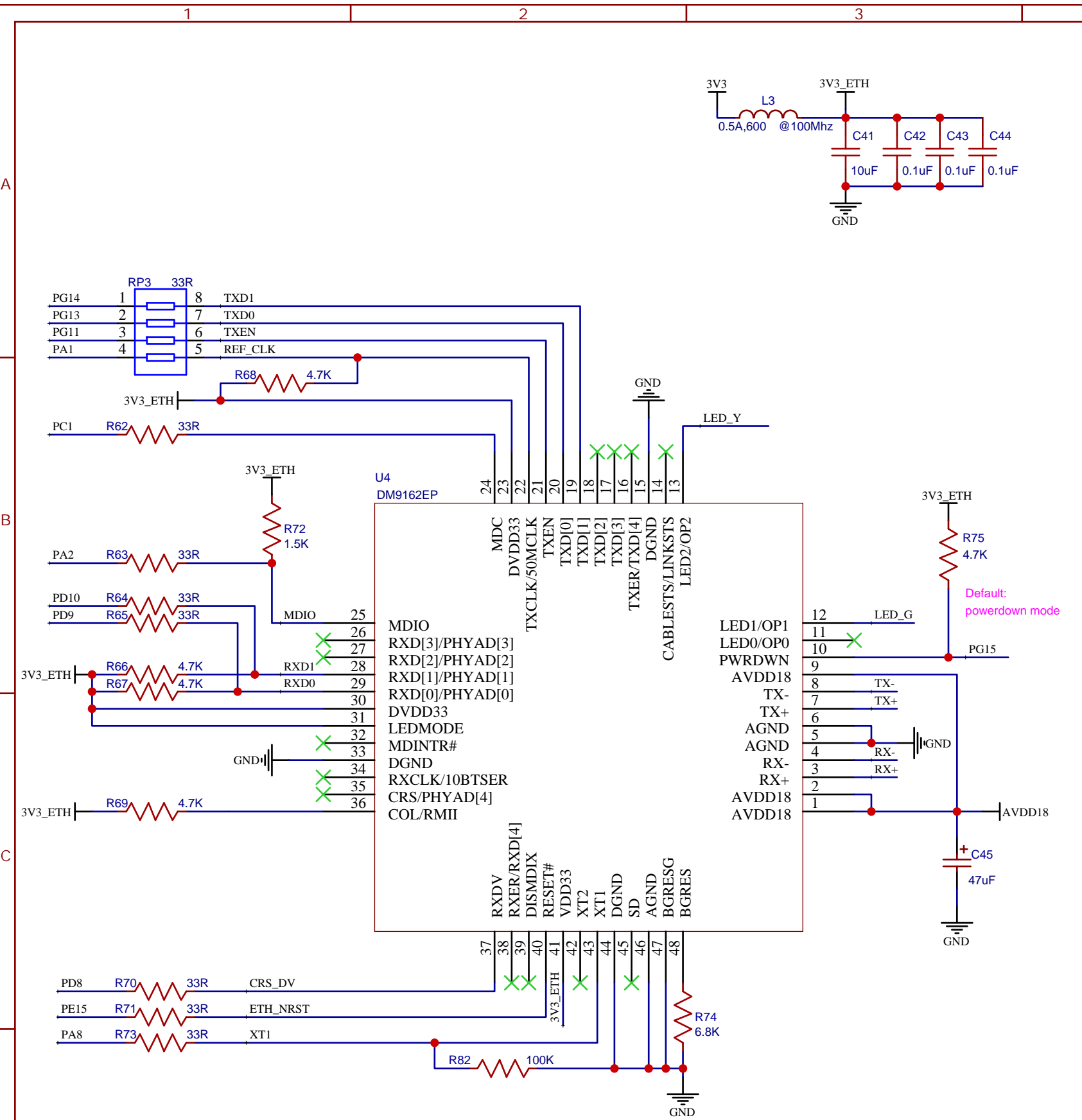
Test point

TITLE: Power & Peripherals		REV: 1.0
Company: Artery Technology		Sheet: 3
Date: 2021-11-20		Drawn By:

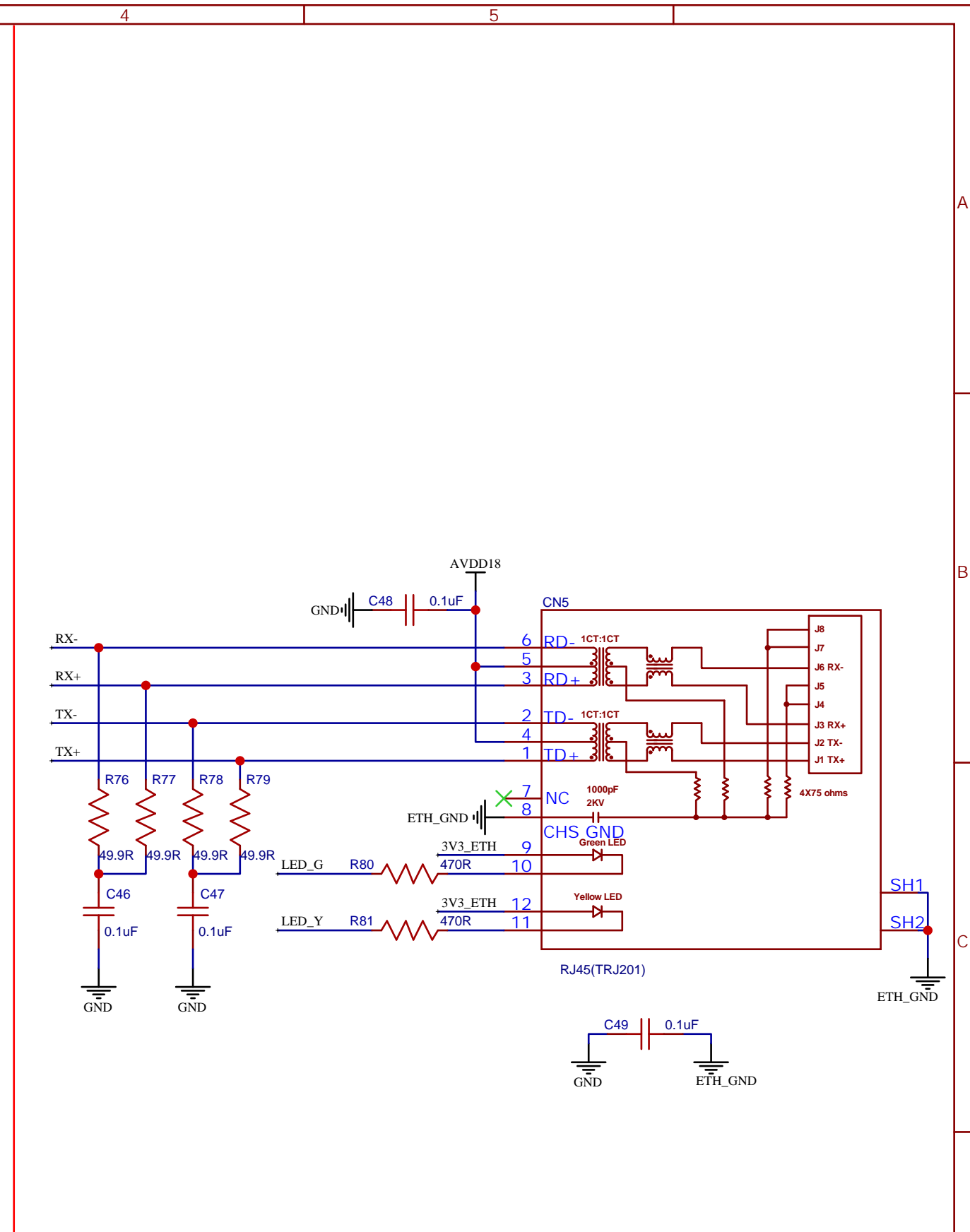


Arduino UNO R3 connectors

TITLE: Extension connector		REV: 1.0
	Company: Artery Technology	Sheet: 4
	Date: 2021-11-20	Drawn By:



Note: DM9162 address = 0x03



RJ45

TITLE: Ethernet		REV: 1.0
Artery 雅特力	Company: Artery Technology	
	Date: 2021-11-20 Drawn By:	