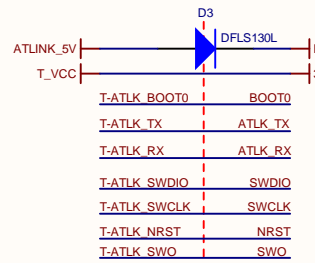
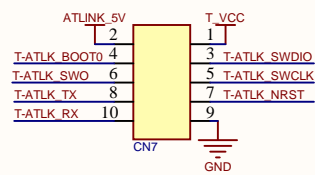
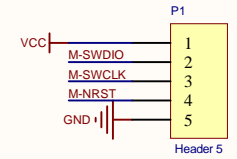


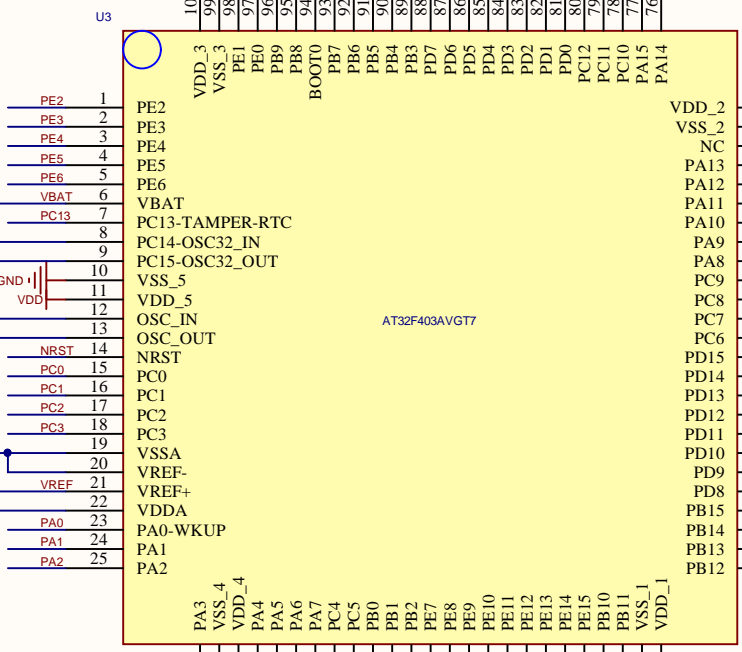
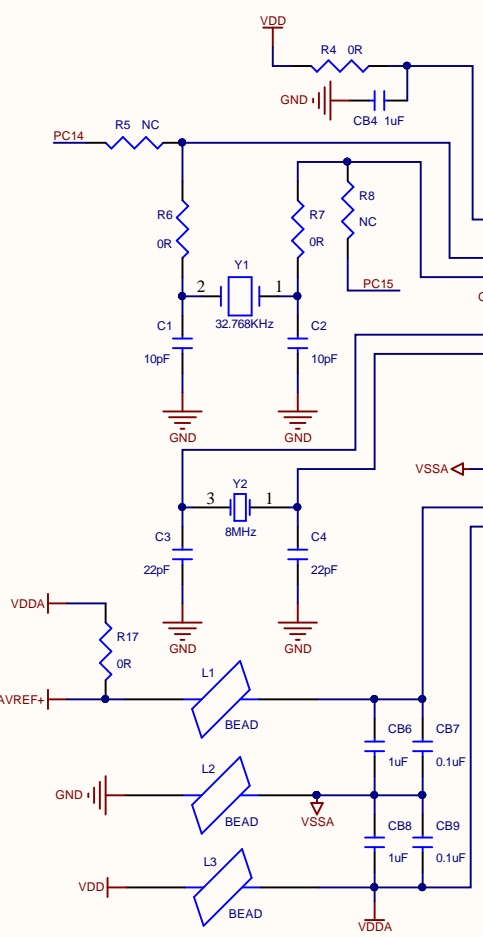
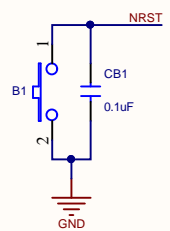
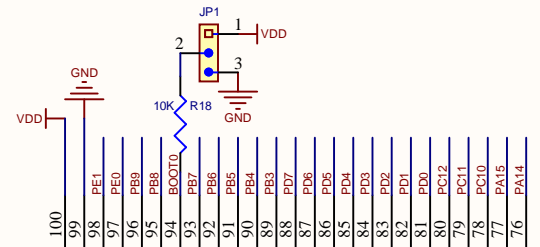
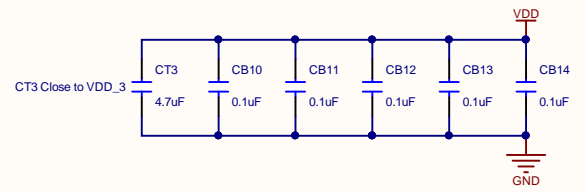
LD1-4: For AT-Link-EZ status



AT-Link EZ CN7 to AT-START CN2 connection

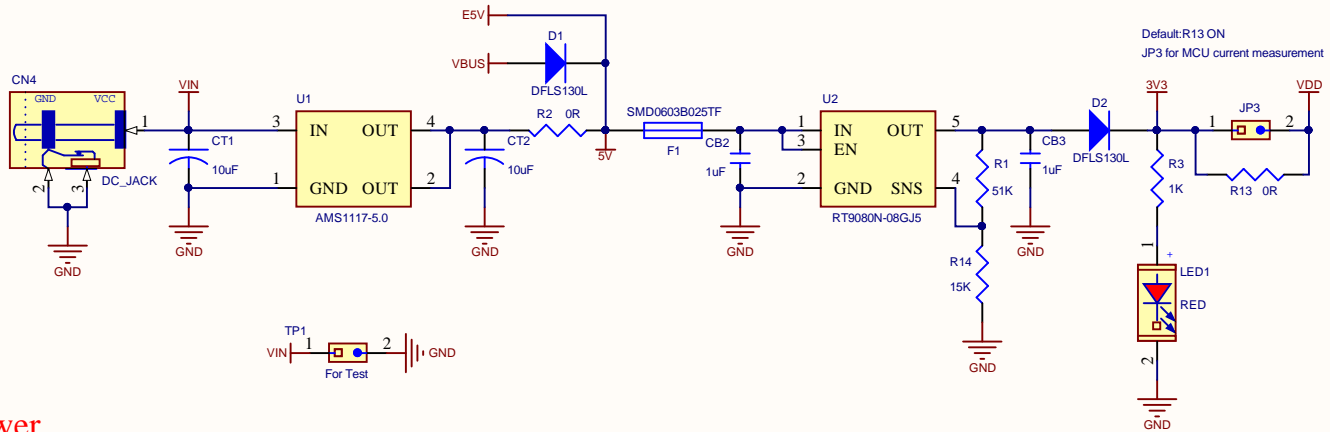


Artery Technology Corp.		
Project:	Title: AT-LINK EZ	
Date: 2020/11/18	Sheet: 1 of	Rev: V1.2

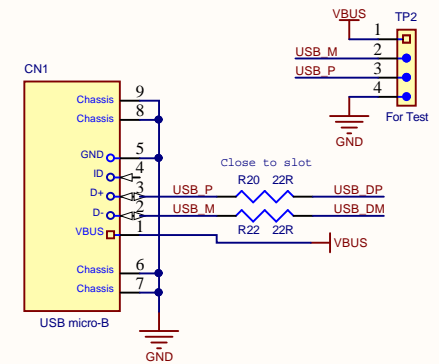


MCU

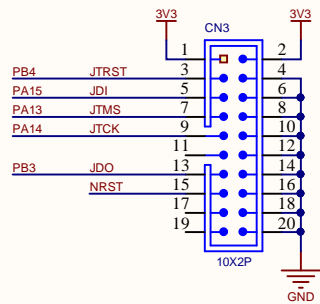
Artery Technology Corp.	
Project: AT-START-F403A	Title: MCU
Date: 2020/12/15	Sheet: 2 of 4 Rev: V1.2



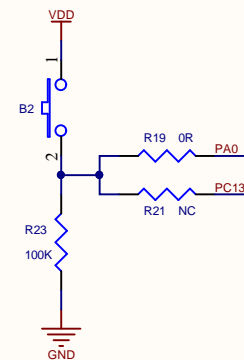
Power



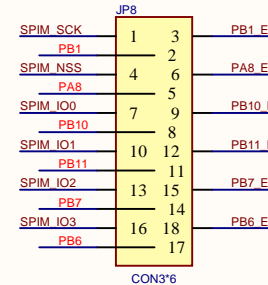
USB



20-pin ARM standard JTAG

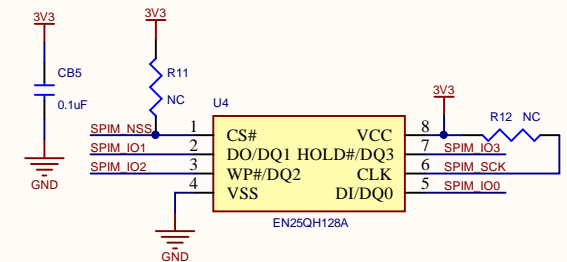


User key

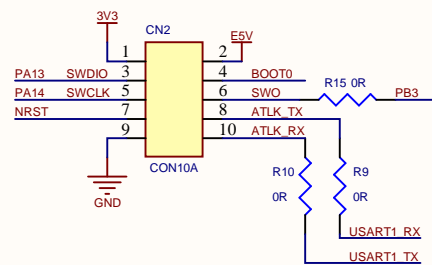


GPIO/SPIM selection

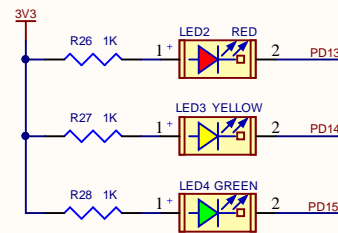
SPIM



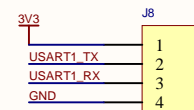
Test points



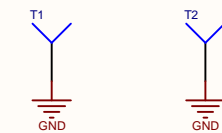
AT-Link interface



LEDs



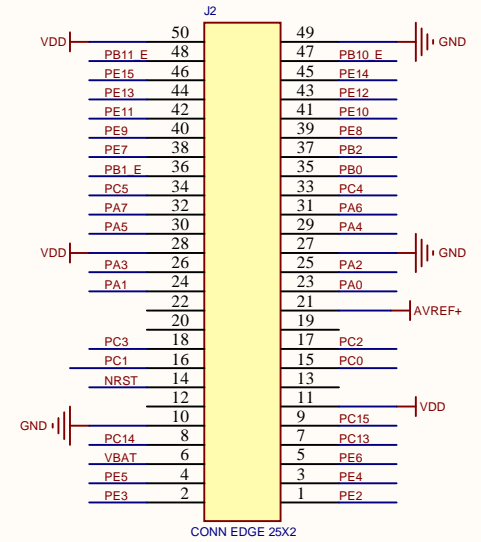
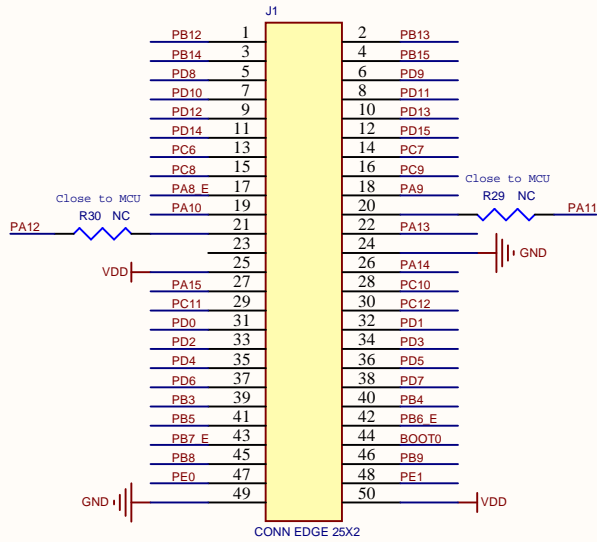
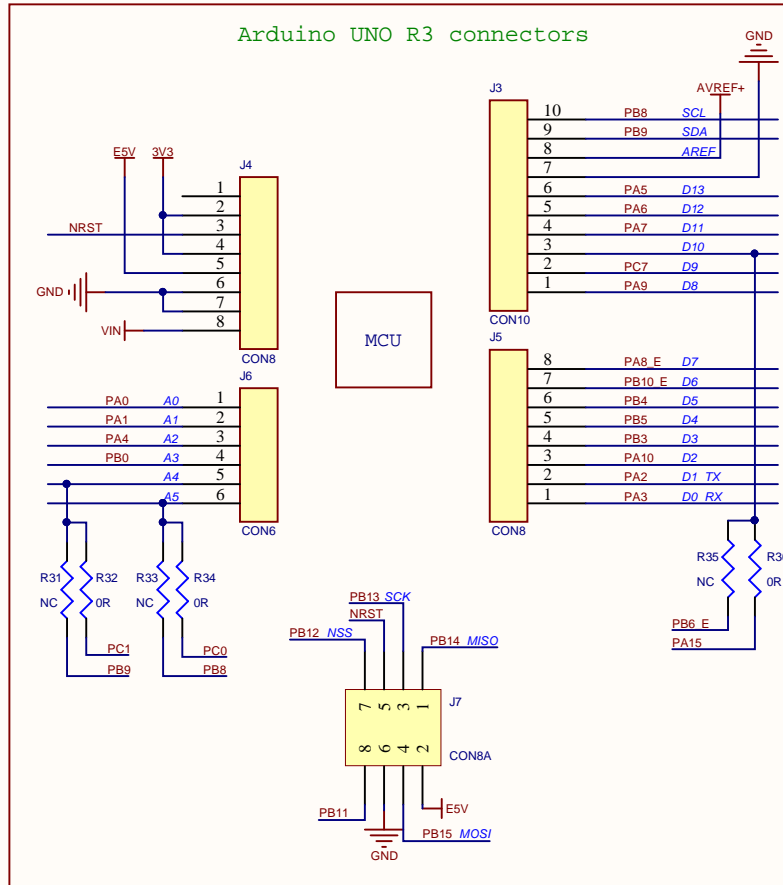
USART1 for ISP



Artery Technology Corp.

Project: AT-START-F403A	Title: Power & Peripherals
Date: 2020/12/15	Sheet: 3 of 4 Rev: V1.2

Arduino UNO R3 connectors



Extension connectors

Artery Technology Corp.

Project: AT-START-F403A	Title: Extension connectors	
Date: 2020/12/15	Sheet: 4 of 4	Rev: V1.2