


SPECIFICATION

Color	Very Warm White	Warm White	Neutral White
Color Temperature	2700K (F2700)	3000K (F3000)	4000K (F4000)
Lumen Output Φ^*	880 lm	900 lm	980 lm
Useful flux (Φ in 90°)*	670lm	685lm	750lm
Max. luminous intensity	906cd	930cd	952cd
Efficiency	75lm/W	77lm/W	85lm/W
Photometric code	927/669	930/669	940/669
Minimum CRI	90		
Number of LEDs	28 x Cree® J Series™ 2835 LEDs		
Colour Homogeneity	6 SDCM		
LED Working Current	125mA		
Input Voltage	220-240V~, 50/60Hz		
Lamp current	50mA		
Power Consumption	11,6W		
Power Factor	> 0,9		
Operating temperature	-20°C + 40°C		
Ingres Protection	IP20		
Appliance class	Class II		
Protection	Thermal & short circuit		
Energy Class** (old energy class)	G (A+)		
Viewing Angle	55°		
Anti-glare shield	YES		
Dimmable	YES (dimmers controlled by leading and trailing edge)		
Starting time	< 0,5 s		
Lamp warm-up time to 95 % Φ	< 2 s		
Number of switching cycles before failure	Min 20 000		
Lifetime ***	≥ 40000 hours L70B50		
Number of switching cycles	≥ 50000		

* Source performance in real-life conditions at ambient temperature of 25°C; includes optical losses, tolerance of source Lumen Output ±5%

** According to the new table of energy classes that will enter into force on 1 September 2021

*** Approximate lifetime of LEDs as declared by the manufacturer [Cree®](http://www.cree.com) and other electronic components

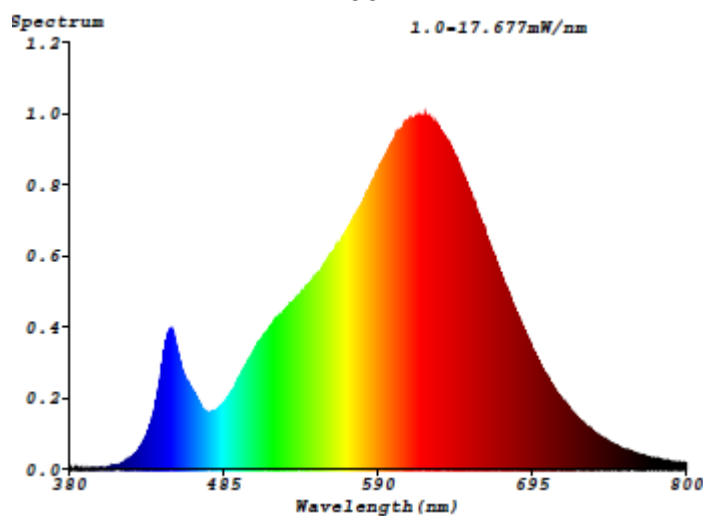
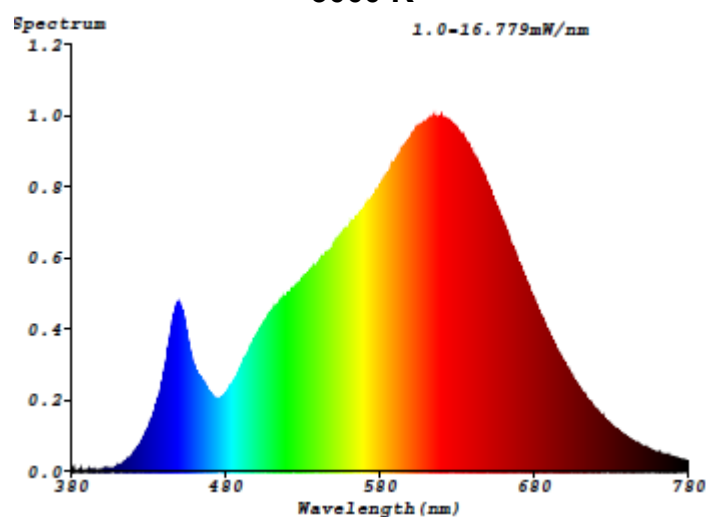
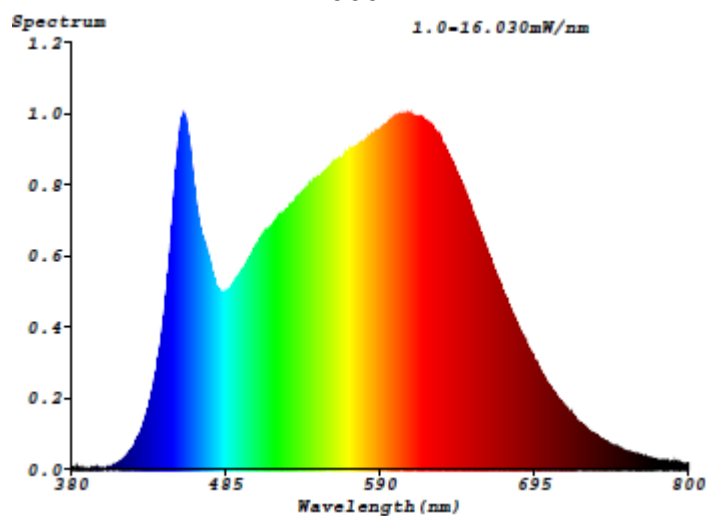
Contact:


+48 58 781 33 99

sales@niviss.com
www.niviss.com

NIVISS reserves the right to make technical changes without prior notice.

Copyright © NIVISS 2021-11-18 R04

**SPECTRAL LIGHT
POWER
DISTRIBUTION**
2700 K

3000 K

4000 K

Contact:


+48 58 781 33 99

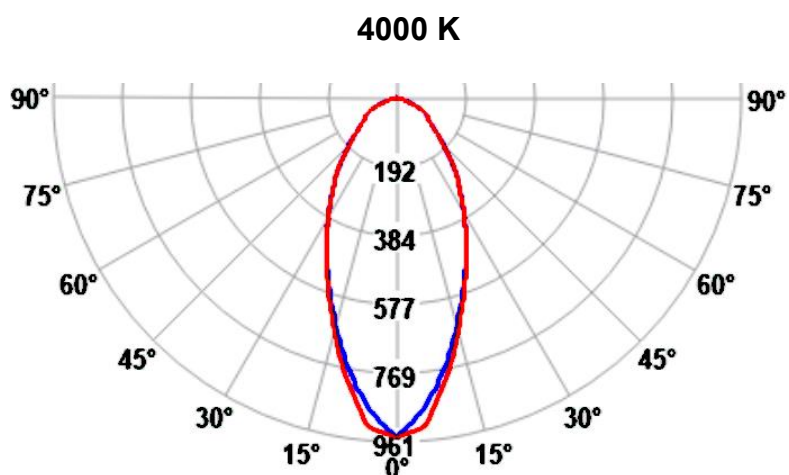
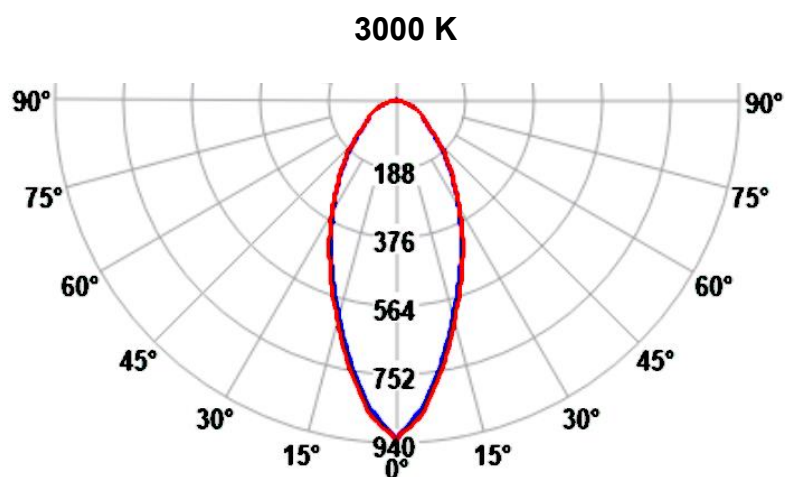
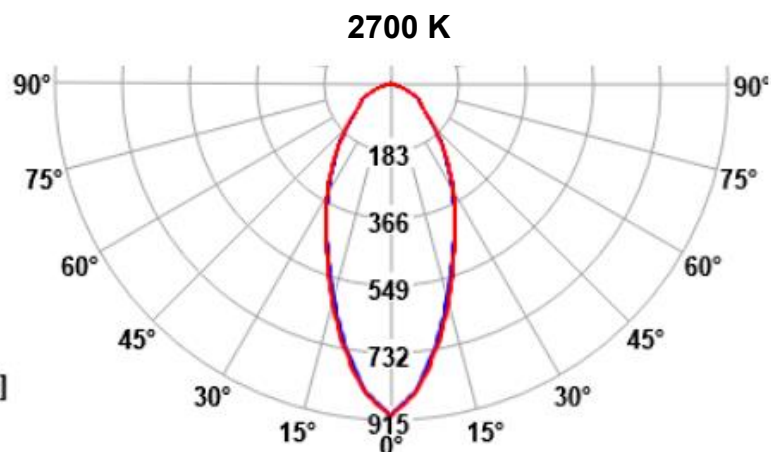
sales@niviss.com
www.niviss.com

NIVISS reserves the right to make technical changes without prior notice.

Copyright © NIVISS 2021-11-18 R04

**LIGHT INTENSITY
DISTRIBUTION
DIAGRAM**

Luminous intensity [cd]
 C0-C180 —
 C90-C270 —

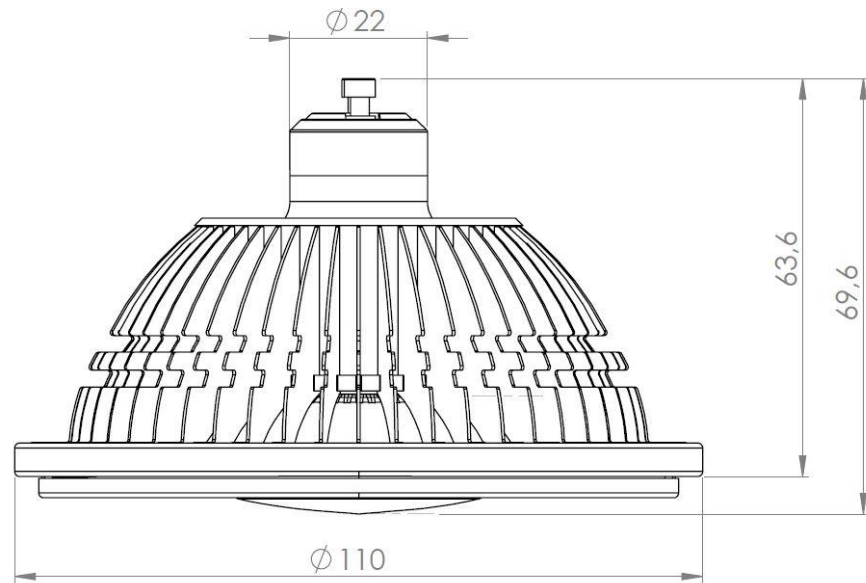
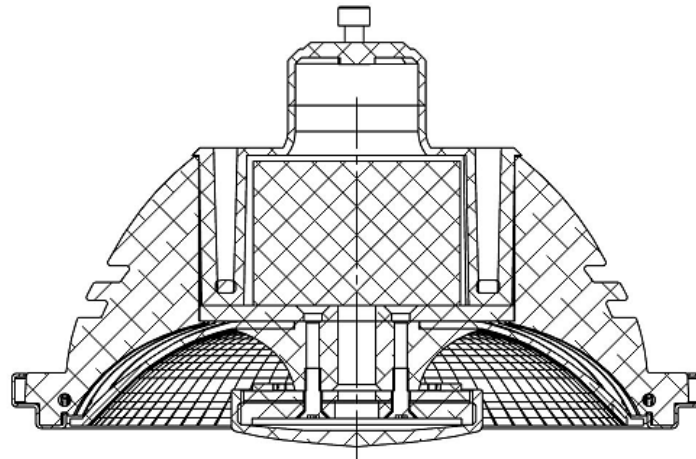

Contact:


+48 58 781 33 99

sales@niviss.com
www.niviss.com

NIVISS reserves the right to make technical changes without prior notice.

Copyright © NIVISS 2021-11-18 R04

DIMENSIONS
 [mm]

CROSS SECTION

ENVIRONMENTAL CAUTION

Caution!

It is prohibited to dispose of obsolete and waste electrical and electronic equipment together with regular household wastes. They should be properly sorted and recycled. Old electrical and electronic equipment should be returned to a waste collection point established by a waste-management service. Waste electrical and electronic equipment can be broken down to base materials and then recycled. For more information regarding waste management please contact your local authorities, waste-management service or the seller of electrical and electronic devices.

Contact:


+48 58 781 33 99

sales@niviss.com
www.niviss.com

NIVISS reserves the right to make technical changes without prior notice.

Copyright © NIVISS 2021-11-18 R04