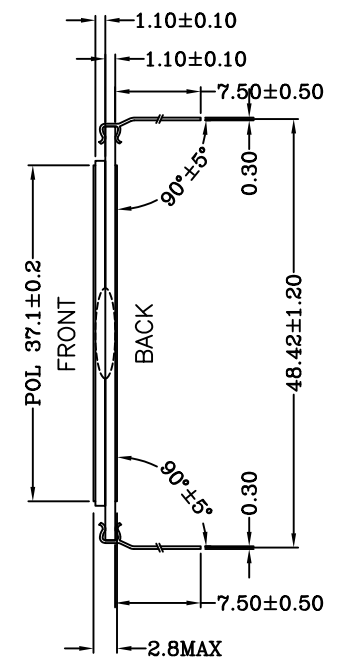
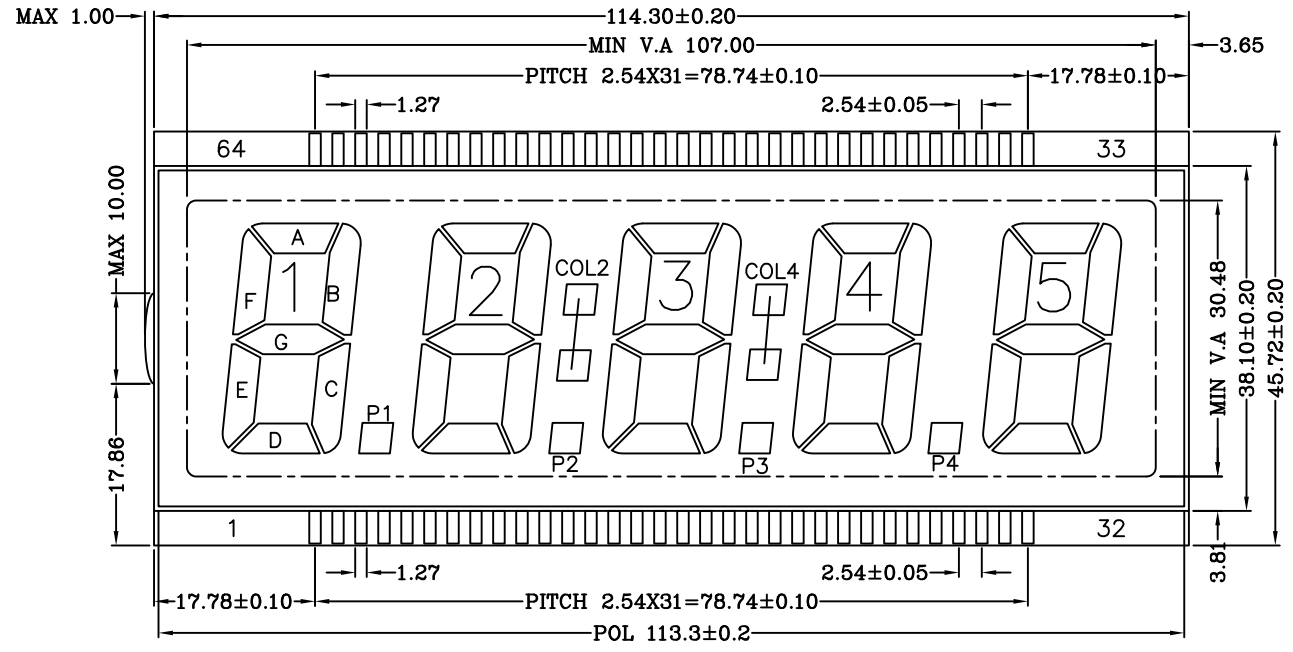


5		6	
VERSION	CHANGE CONTENT	DATE	
V00	FIRST ISSUE	2019-03-12	



PIN	1	2	3	4	5	6	7	8	9	10	11	12	13	14	15	16	17	18	19	20	21	22	23	24	25	26	27	28	29	30	31	32	33	34
COM	COM	1E	1D	1C	P1	2E	/	/	2D	2C	/	P2	3E	/	/	/	3D	3C	P3	/	/	4E	/	4D	4C	/	P4	5E	5D	5C	5B	5A	5F	

PIN	35	36	37	38	39	40	41	42	43	44	45	46	47	48	49	50	51	52	53	54	55	56	57	58	59	60	61	62	63	64
COM	5G	/	/	4B	4A	/	/	4F	4G	COL4	3B	3A	/	/	/	3F	3G	COL2	/	2B	2A	/	/	2F	2G	1B	1A	1F	1G	COM

**SPECIFICATIONS**

1. DISPLAY TYPE: TN/TRANSFLECTIVE/POSITIVE
2. OPERATING VOLTAGE: 3.0V
3. VIEWING DIRECTION: 12 O'CLOCK
4. OPERATING TEMP: -20°C~+70°C
5. STORAGE TEMP: -30°C~+80°C
6. DRIVE MODE: 1/1 DUTY, 1/1 BIAS
7. CONNECTOR: PIN

**NOTE:**

MECHANICAL TOL.±0.2 UNLESS SPECIFIED

**DESCRIPTION:**

LCD

SCALE: FIT



TINSHARP INDUSTRIAL CO.,LTD.

SHEET: 1 OF 3

UNIT: mm

PROJECTION

MODEL THW1039A

APP:

CHK:

SERIAL NUMBER CTJ0156

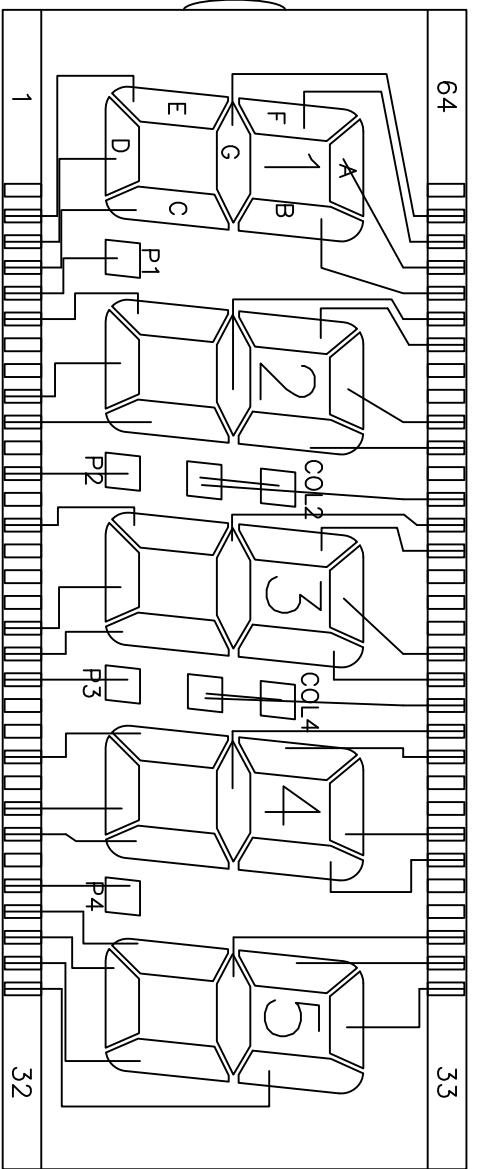
DATE:

DATE:

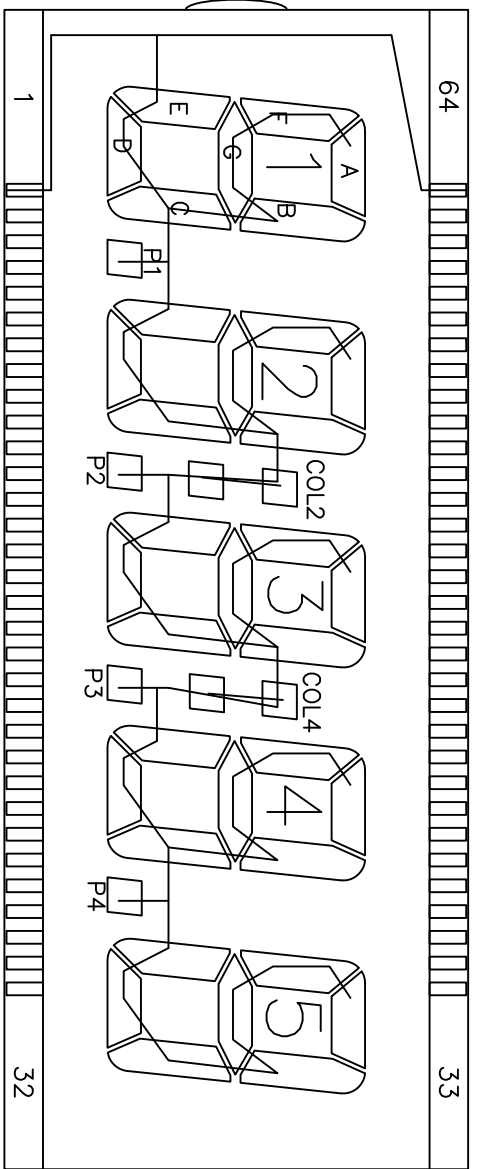
DWN: DATE:

VERSION	CHANGE CONTENT	DATE
V00	FIRST ISSUE	2019-03-12

SEG

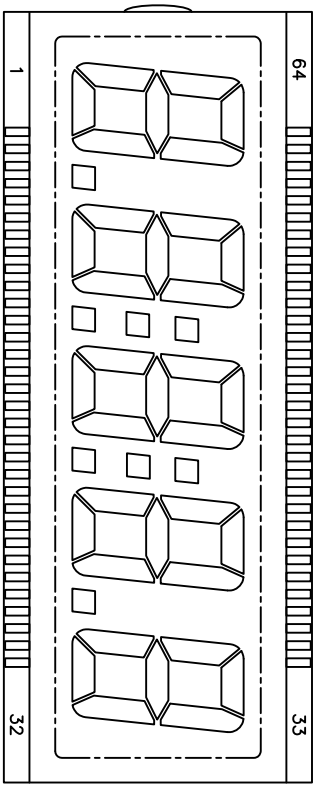
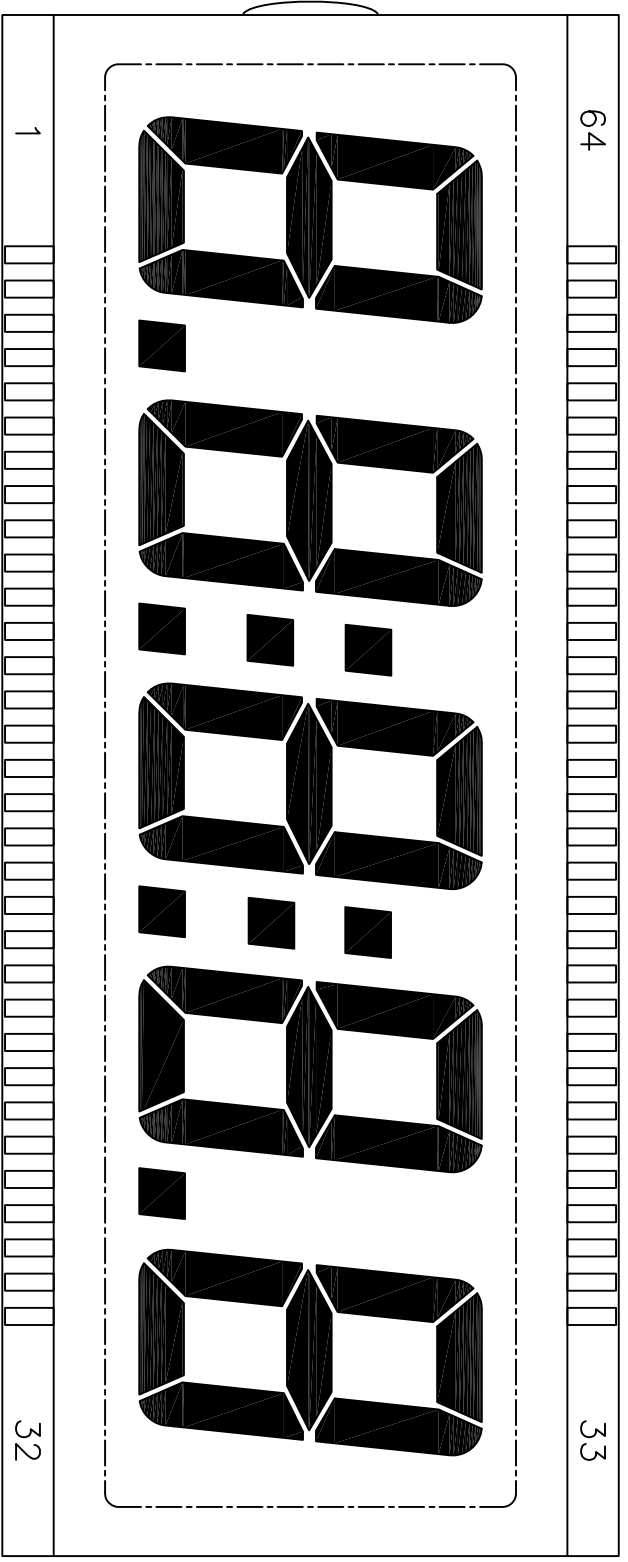


COM



<b>DESCRIPTION:</b>		LCD	
SCALE: FIT		TINSHARP	
SHEET: 2 OF 3		TINSHARP INDUSTRIAL CO.,LTD.	
	PROJECTION	MODEL	SERIAL NUMBER
UNIT:	mm	THW1039A	CTJ0156
APP:		CHK:	DWN:
DATE:		DATE:	DATE:

VERSION	CHANGE CONTENT	DATE
V00	FIRST ISSUE	2019-03-12



显示效果图 2:1

1:1

DESCRIPTION: LCD	
SCALE: FIT	TINSHARP
SHEET: 3 OF 3	TINSHARP INDUSTRIAL CO.,LTD.
PROJECTION	MODEL
UNIT: mm	THW1039A
APP:	CHK:
DATE:	DATE:
	DWN:
	DATE:
	SERIAL NUMBER
	CTJ0156