

P/N:
81800U202
Title:

SPECIFICATION/说明书

Electrical Specification/电性能指标

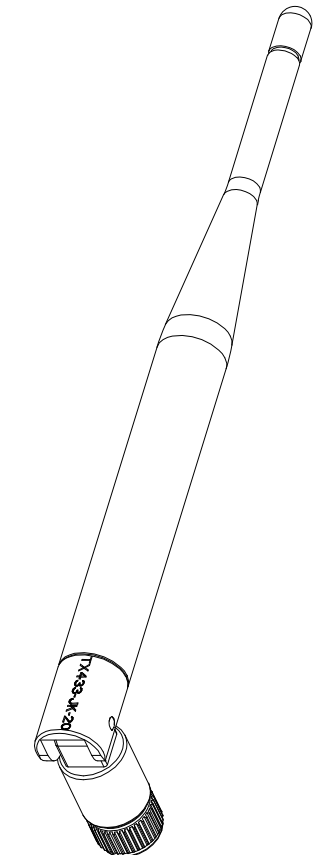
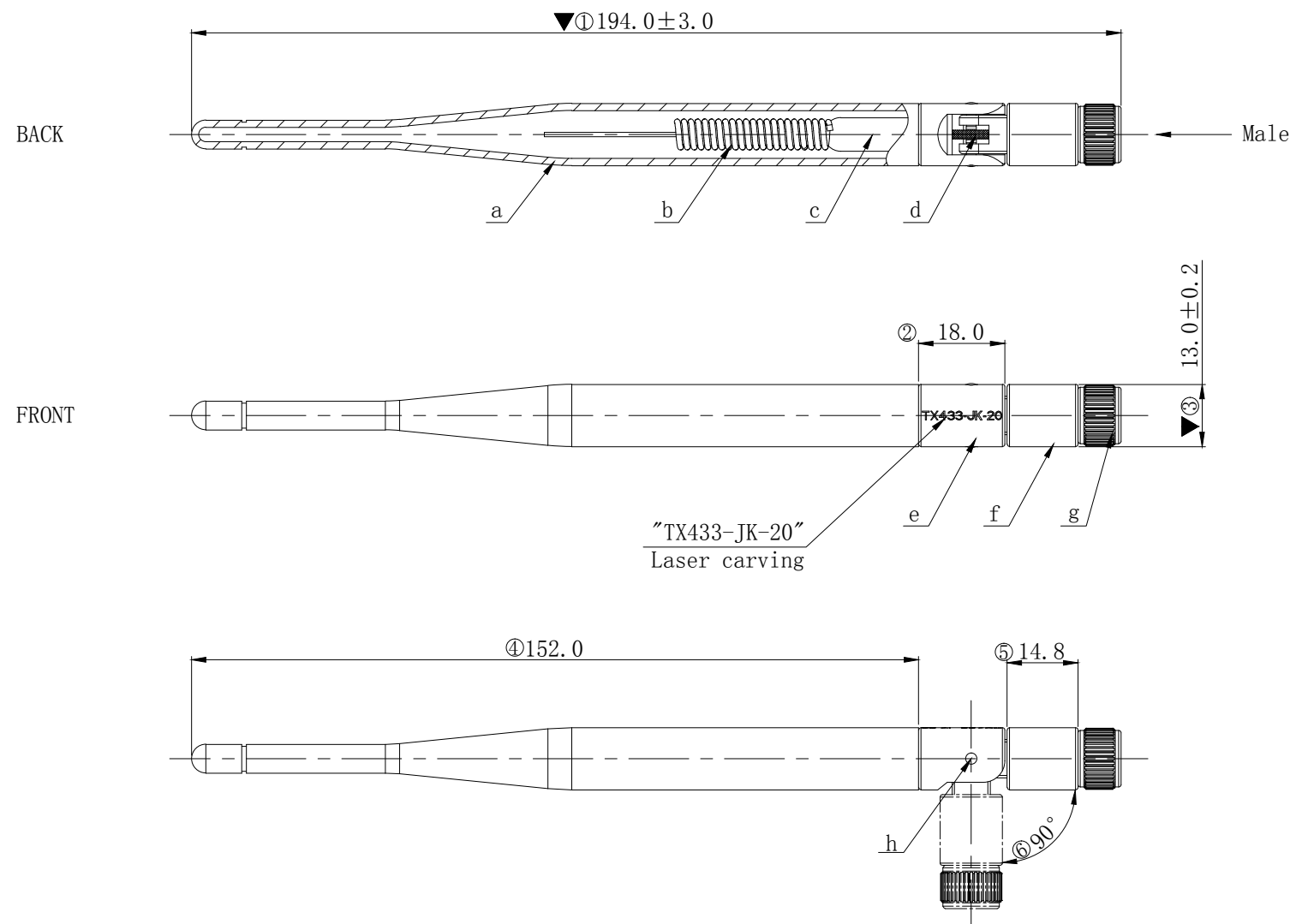
频段范围/Frequency Range	433 MHz
输入阻抗/Input Impedance	50 Ω
电压驻波比/VSWR	≤3.0
增益/Gain	1.0 dBi
极化形式/Polarization	Vertical
功率容量/Power	10W
接口形式/ Connector Type	SMA-Male

Mechanical Specification/机械指标

尺寸 (Dimensions)	OD10*(195±3) mm
颜色 (Color)	黑色 Black
电缆 (Cable)	N/A
形状特性 (Shape feature)	可弯折 Can be bent
工作温度 (Operating Temperature)	-40℃~+80℃
储存温度 (Storage Temperature)	-40℃~+85℃



REV.	ECN NUMBER	DESCRIPTION	DATE	DRAWN	CHECKED	APPROVED
X1		FIRST RELEASE	12/18' 21	DDB		Baoxing.Niu



NOTES:

1. Material: can be found in the lower right corner.
2. Marked with "▼" for QC key size detection.
3. HSF Shall conform to the standard <QE-Q-19-001 environmental hazardous substances management>.
4. Frequency Range:433 MHz
Gain:1.0 dBi
VSWR:3.0 Max

h	Boby-4	2	SMA-J, Black, POM
g	Connector	1	SMA-J(公头公针), 黑色, 塑料
f	Boby-3	1	OD13*14.5mm, PC+PBT, Black
e	Boby-2	1	OD13*18mm, ABS, Black
d	cable	1	RG178, Brown
c	Brass tube	1	OD6.8*25 mm, Cu H59
b	Spring	1	OD7.0*42 mm, Cu H65
a	Boby-1	1	OD13*152 mm, TPEE, Black
ITEM	PART NAME	Q' TY	MATERIAL / FINISH



GENERAL TOLERANCE	
XX. \pm 2.00	XX. $^{\circ}$ \pm 3 $^{\circ}$
X. \pm 1.00	X. $^{\circ}$ \pm 2 $^{\circ}$
.X \pm 0.50	.X $^{\circ}$ \pm 1 $^{\circ}$

SCALE:	1:1
UNIT:	mm
SIZE:	A4

DRAWN:	DDB	DATE:	12/18' 21
CHECK:		DATE:	
APPROVE:		DATE:	

DWG. NO:	600-U202-01
PARTS NO. (INTENDED USE):	81800U202

TITLE:	433MHz Antenna
--------	----------------

REV.	X1
SHEET:	1/1