

P/N:

81800U098

Title:

**SPECIFICATION/说明书****Electrical Specification/电性能指标**

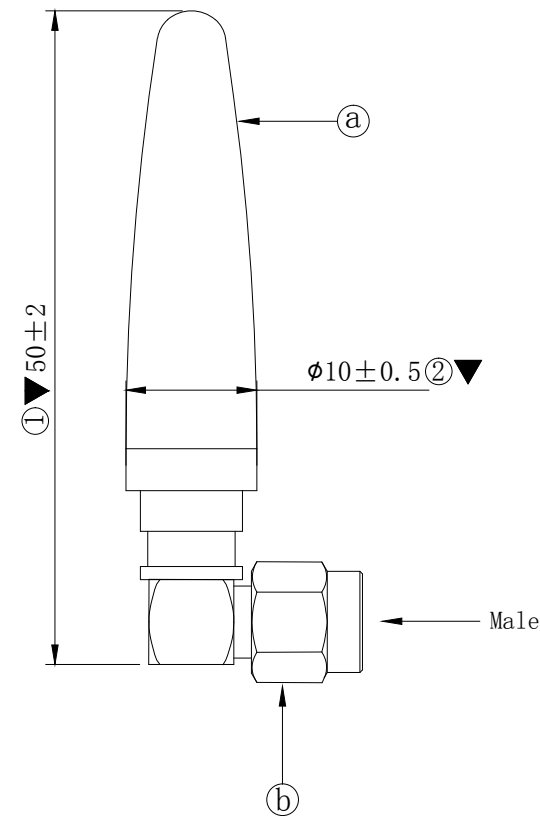
频段范围/Frequency Range	2400-2483 MHz
输入阻抗/Input Impedance	50 $\Omega$
电压驻波比/VSWR	$\leq 2.0$
增益/Gain	1.0 dBi
极化形式/Polarization	Vertical
功率容量/Power	10W
接口形式/Connector Type	SMA-Male

**Mechanical Specification/机械指标**

尺寸 (Dimensions)	OD10*(50 $\pm$ 3) mm
颜色 (Color)	黑色 Black
电缆 (Cable)	N/A
形状特性 (Shape feature)	90 $^{\circ}$
工作温度 (Operating Temperature)	-40 $^{\circ}$ C ~ +80 $^{\circ}$ C
储存温度 (Storage Temperature)	-40 $^{\circ}$ C ~ +85 $^{\circ}$ C



REV.	ECN NUMBER	DESCRIPTION	DATE	DRAWN	CHECKED	APPROVED
X1		FIRST RELEASE	12/18' 21	DDB		Baoxing.niu



NOTES:

1. Material: can be found in the lower right corner.
2. Marked with "▼" for QC key size detection.
3. HSF Shall conform to the standard  
<QE-Q-19-001 environmental hazardous substances management>.
4. Frequency Range:2400-2483 MHz  
Gain:1.0 dBi  
VSWR:2.0 Max

ITEM	PART NAME	Q' TY	MATERIAL / FINISH
b	Connector	1	SMA-J, Cu, PLATING:Gold
a	Boby-1	1	TPEE, OD10.0*44.0mm:Black



ELECTRIC  
CONNECTOR  
TECHNOLOGY

GENERAL TOLERANCE	
XX. ± 2.00	XX. ° ± 3°
X. ± 1.00	X. ° ± 2°
.X ± 0.50	.X° ± 1°

SCALE: 1:1  
UNIT: mm  
SIZE: A4

DRAWN: DDB  
CHECK:  
APPROVE:  
DATE: 18/12' 21

DWG. NO: 600-U098-01  
PARTS NO. (INTENDED USE): 81800U098

TITLE: 2.4G Antenna

REV. X1  
SHEET: 1/1