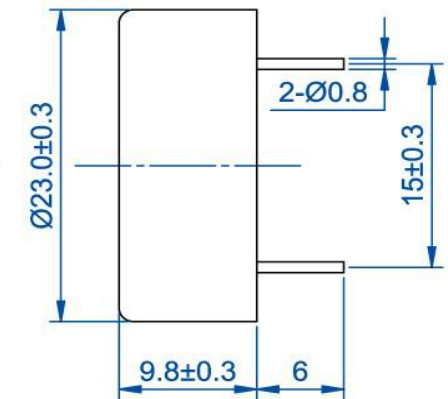
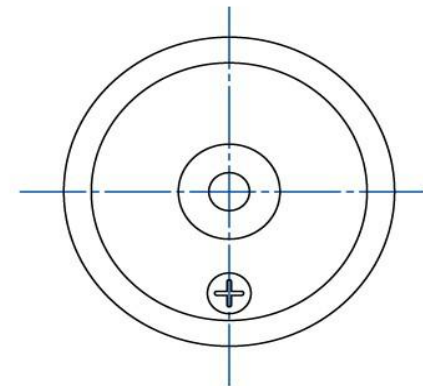
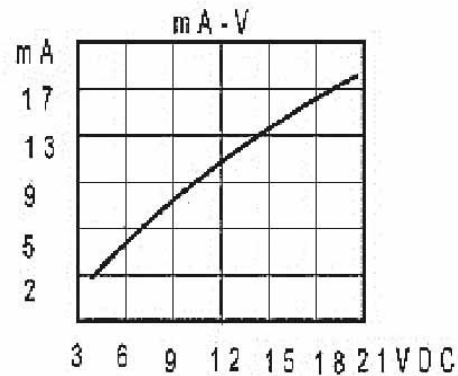
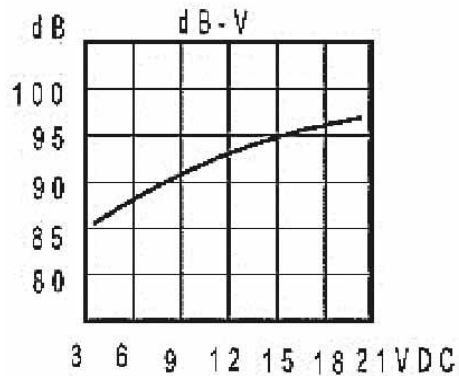


SPECIFICATION		
1	Model No.	BUZ-EPB2398-TB-12-3.5-15.0-R
2	Rated Voltage (VDC)	12
3	Operating Voltage (VDC)	3~20
4	*Resonant Frequency (Hz)	3500±500
5	*Sound Output at 10cm (dB)	≥90
6	*Current Consumption (mA)	≤12
7	Operating Temperature (°C)	-20~+70
8	Storage Temperature (°C)	-30~+70
9	Weight (g)	4
10	Housing Material:	PBT
11	Rohs	Yes

REVISION HISTORY			
LTR	DESCRIPTION	DATE	APPROVED
-	RELEASED FROM ENGINEERING	9/23/2003	Y M
A			
B			
C			



- NOTES:
- ALL DIMENSIONS ARE IN MILLIMETERS
 - SPECIFICATIONS SUBJECT TO CHANGE WITHOUT NOTICE

SIZE	Designed by	Date	Checked by	Date	Approved by	Date	Drawed date
	A4			BUZ-EPB2398-TB-12-3.5-15.0-R			
	BUZZER			Edition	Sheet		