

Company Name: GigaDevice

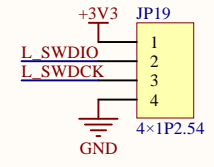
File Name: ADC

Revision: 1.0

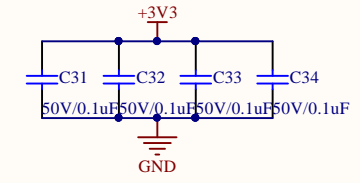
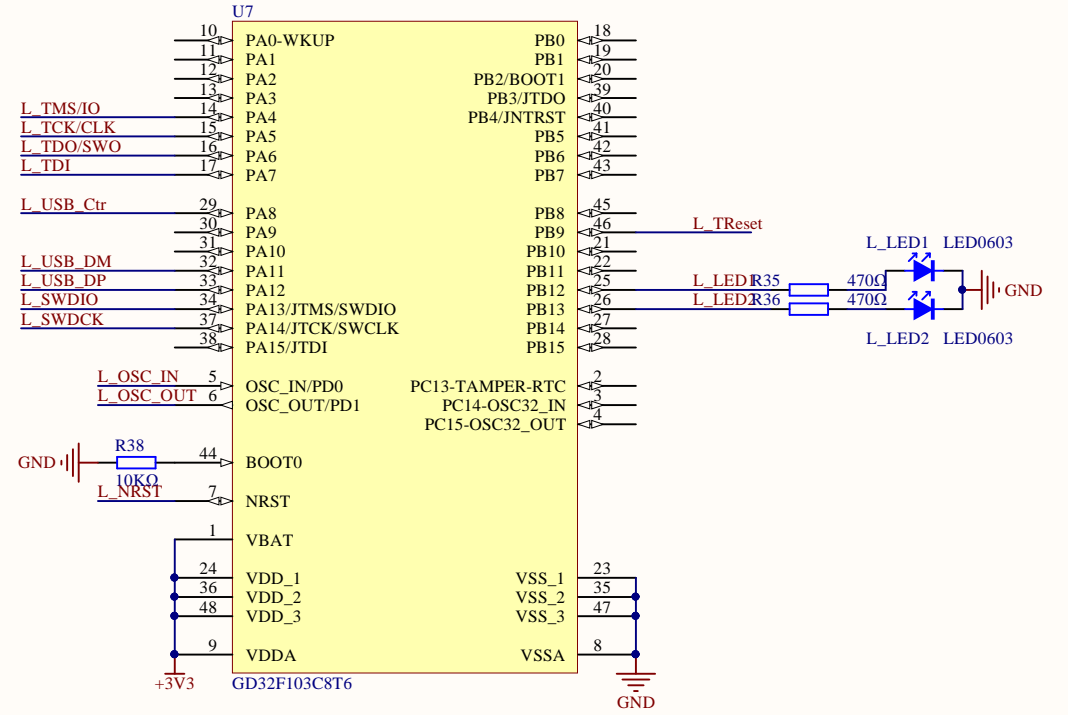
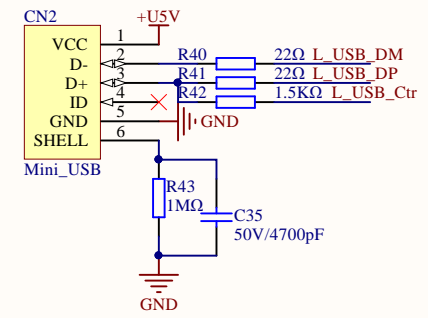
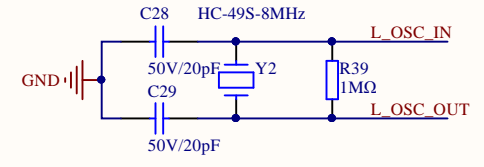
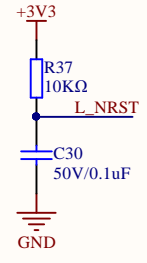
Data: 2020-10

Author: jiawei.yuan

MCU SWD

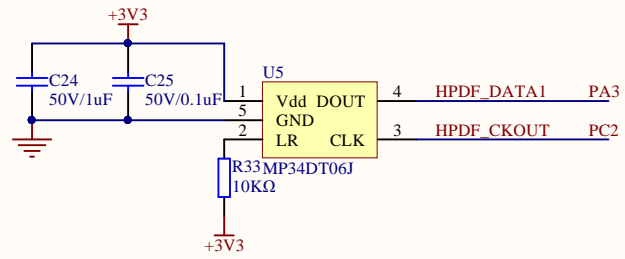


RESET



Company Name: GigaDevice		
File Name: GDLink		
Revision: 1.0	Data: 2018-9	Author: XuFei

HPDF



Company Name: GigaDevice

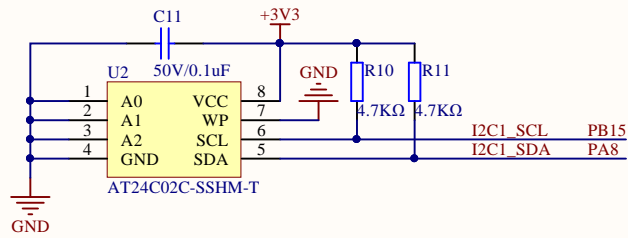
File Name: HPDF

Revision: 1.0

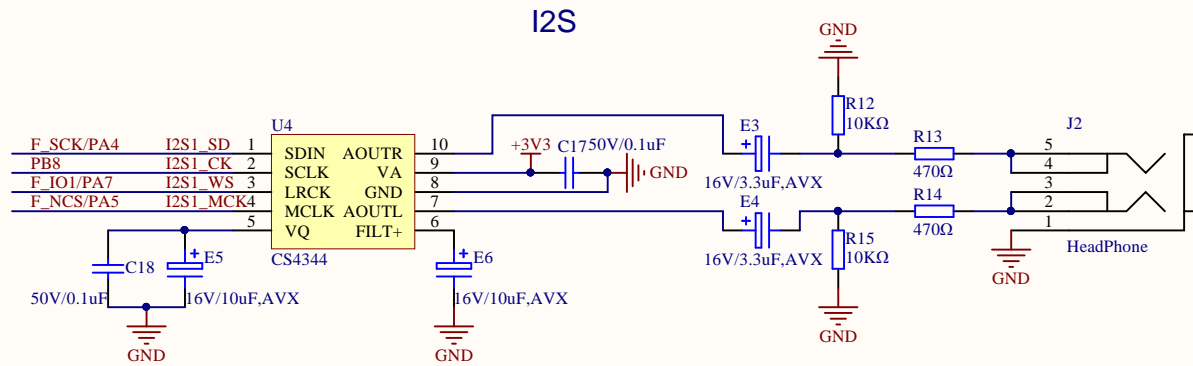
Data: 2020-04

Author: Xufei

I2C

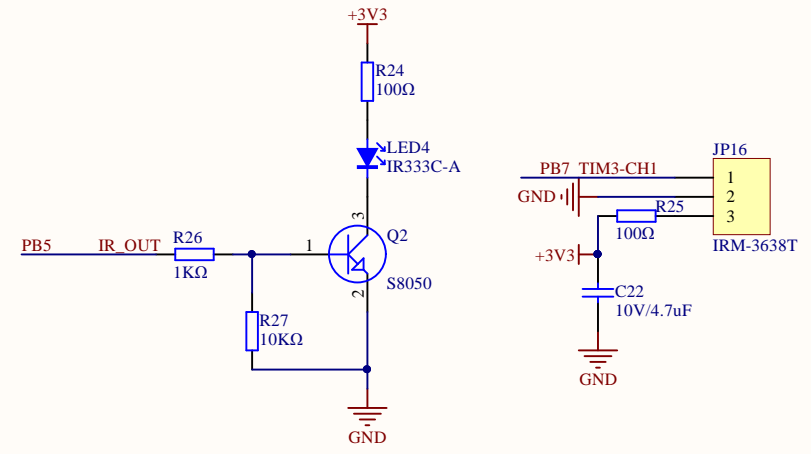


Company Name: GigaDevice		
File Name: I2C		
Revision: 1.0	Data: 2020-10	Author: jiawei.yuan



Company Name: GigaDevice		
File Name: I2S		
Revision: 1.1	Data: 2021-03	Author: jaiwei.yuan

IFRP



Company Name: GigaDevice

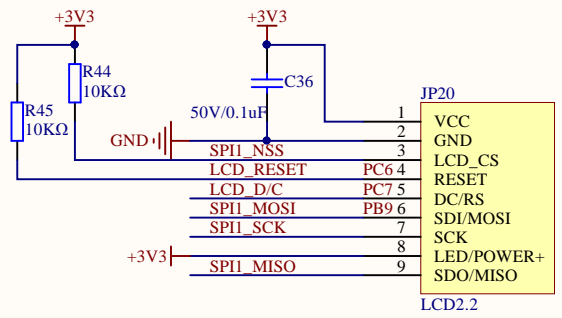
File Name: IFRP

Revision: 1.0

Data: 2020-10

Author: jiawei.yuan

LCD



Company Name: GigaDevice

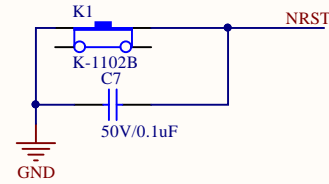
File Name: LCD

Revision: 1.0

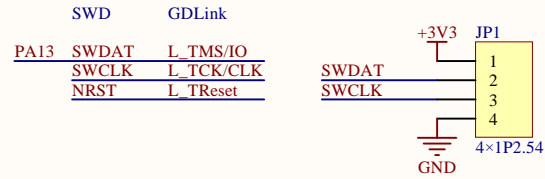
Data: 2020-11

Author: jiawei.yuan

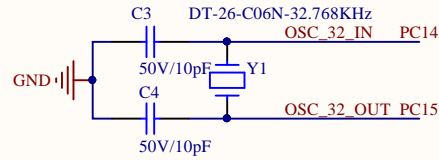
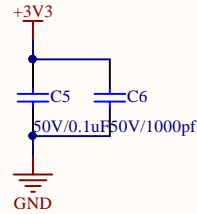
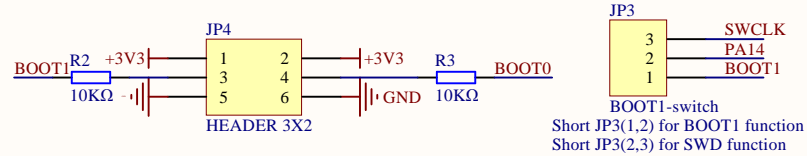
RESET



SWD

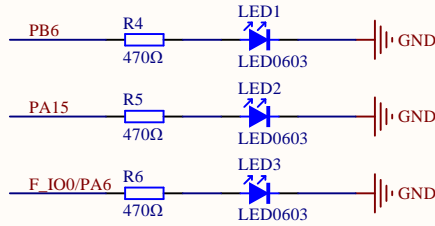


BOOT

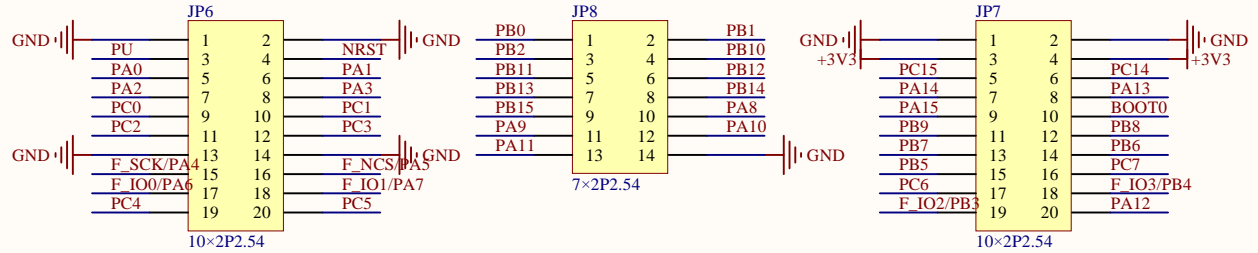


Company Name: GigaDevice		
File Name: MCU		
Revision: 1.0	Data: 2020-10	Author: jiawei.yuan

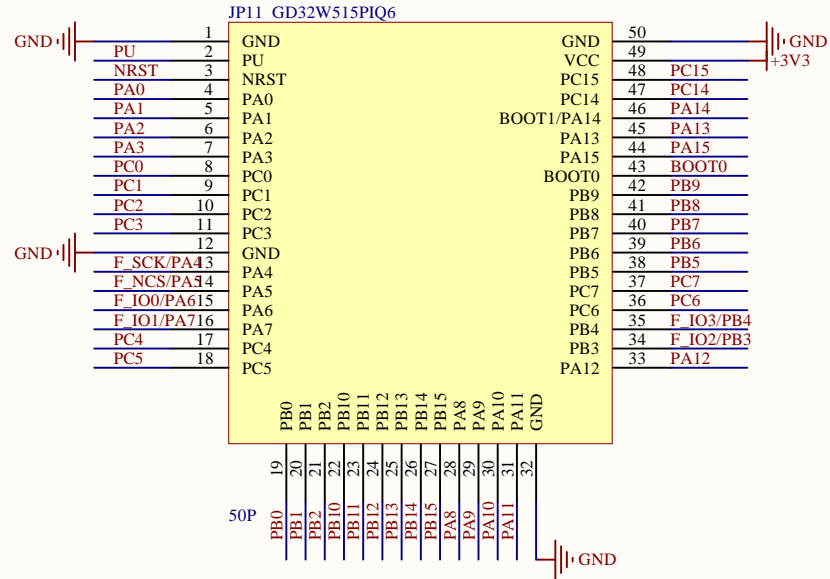
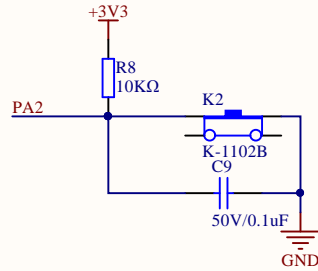
LED



EXTENTION

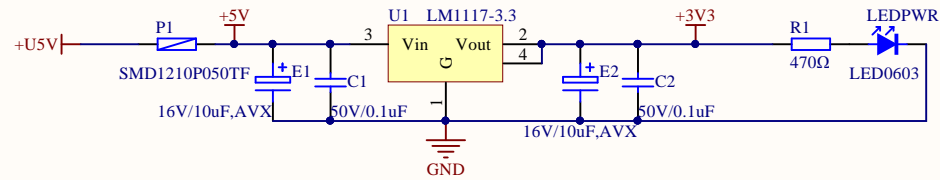


KEY



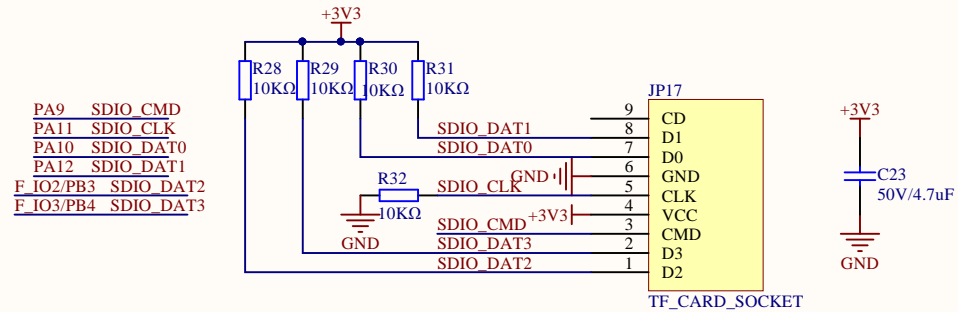
Company Name: GigaDevice		
File Name: Peripherals		
Revision: 1.1	Data: 2021-03	Author: jiawei.yuan

POWER



Company Name: GigaDevice		
File Name: POWER		
Revision: 1.0	Data: 2020-10	Author: jiawei.yuan

SDIO



Company Name: GigaDevice

File Name: SDIO

Revision: 1.0

Data: 2020-10

Author: jiawei.yuan

1

2

3

4

A

A

B

B

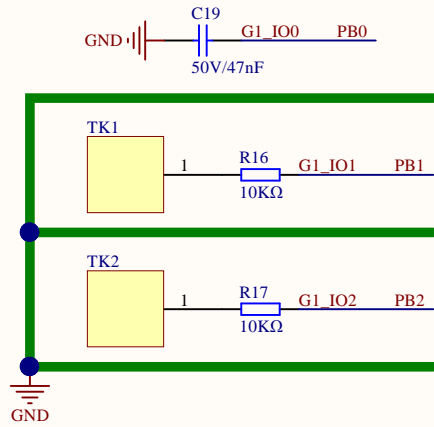
C

C

D

D

TSI



Company Name: GigaDevice

File Name: TSI

Revision: 1.0

Data: 2020-10

Author: jiawei.yuan

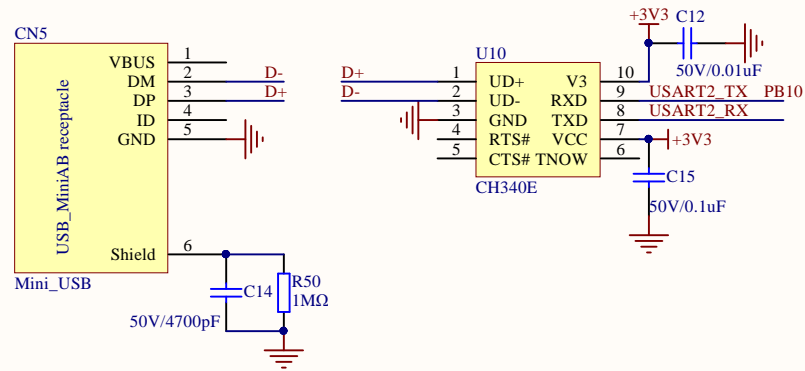
1

2

3

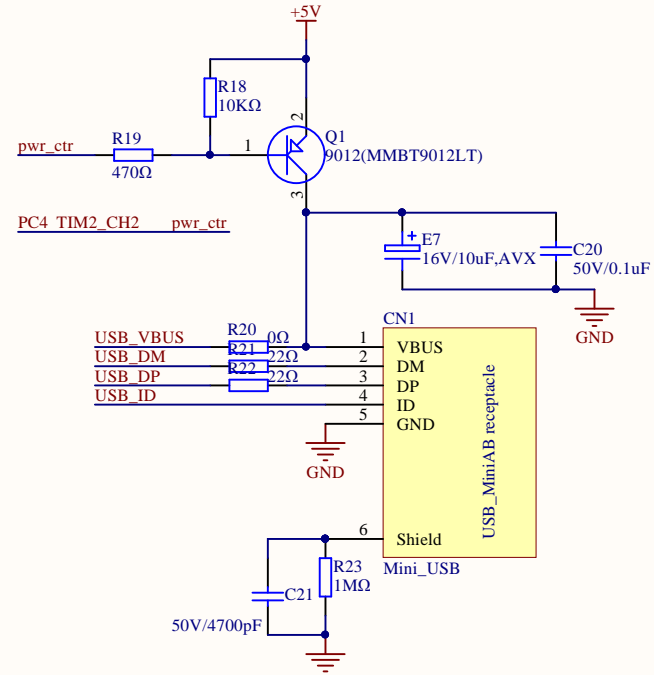
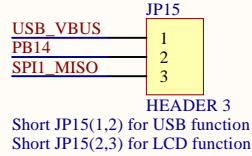
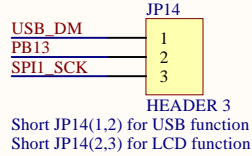
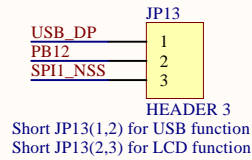
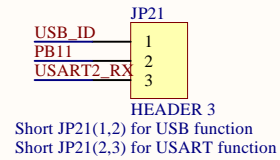
4

USART To USB



Company Name: GigaDevice		
File Name: USART		
Revision: 1.0	Data: 2020-10	Author: jiawei.yuan

USB-OTG



Company Name: GigaDevice		
File Name: USB_OTG		
Revision: 1.0	Data: 2020-10	Author: jiawei.yuan

