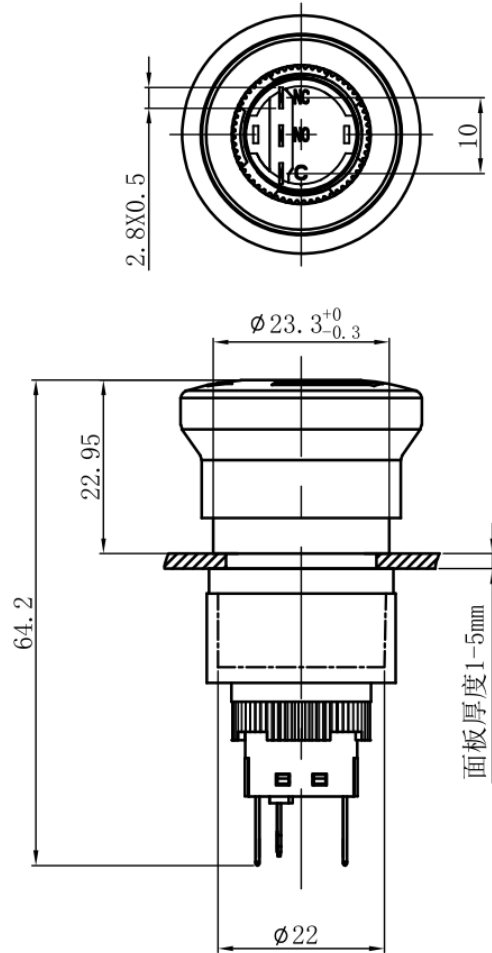
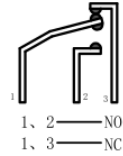


UNIT: mm

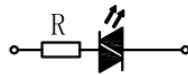
HBAN 红波



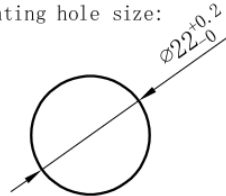
开关结构说明:
Switch structure description:



灯珠等效电路:
Lamp bead equivalent circuit:



安装孔尺寸:
Mounting hole size:



性能要求:

Performance requirements:

- 防护等级: IP65;
Protection grade: IP65;
- 接触电阻: $\leq 50\text{m}\Omega$;
Contact resistance: $\leq 50\text{m}\Omega$;
- 绝缘电阻: $\geq 100\text{M}\Omega$;
The insulation resistance: $\geq 100\text{M}\Omega$;
- 抗电强度: AC2500V, 1min, 无闪烁、击穿;
Electrical resistance: AC2500V, 1min, no flicker and breakdown;
- 寿命: 电气部分在额定负载下动作5万次无异常。
Life: electrical part: operate 50,000 times under rated load without any abnormality.
机械部分: 动作30万次无异常;
Mechanical part: no abnormal movement for 300,000times

技术要求:

Technical requirements:

- 表面光洁, 平整无毛刺;
The surface is smooth and smooth without burr;
- 参数/批次字迹清晰, 无错位;
Clear handwriting of parameters/batches without any dislocation;
- 额定电压: Ith: 5A Ui: 250V;
Rated voltage: 5A Ui: 250V;
- 工作环境温度: $-25^\circ\text{C} \sim +65^\circ\text{C}$;
Working environment temperature: $-25^\circ\text{C} \sim +65^\circ\text{C}$;
- 动作形式: 自锁式;
Action form: self-locking ;
- 动作行程: 约3mm;
Movement stroke: about 3mm
- 连接形式: 配套接插件/焊接导线;
Connection form: supporting connector/welding wire;
- 拧紧力矩: 5~14Nm;
Tightening torque: 5-14nm;
- 开关组合: 1NO1NC;
Switch combination: 1NO1NC;
- 外观材料: 按键: 铝合金;
外壳: 铝合金/PC;
底座: PBT;
触点: 银合金;
Appearance material: Button surface: Aluminum alloy;
Case: Aluminum alloy/PC;
Pedestal: PBT;
Contact silver alloy

- 未标注公差按照GB/T 1804-m级。

Unmarked tolerance shall be in accordance with GB/T 1804-m class

- 灯珠参数: 额定电压: 6V/12V/24V/36V; 110V/220V;

额定电流: $\leq 20\text{mA}$;

Lamp bead parameters: rated voltage :6V/12V/24V/36V;110V/220V;

Rated current: $\leq 20\text{mA}$

- 灯珠颜色: 红/绿/黄/橙/蓝/白;

Color: red/green/yellow/orange/blue/white

- 灯珠寿命: 50000小时。

Led life: 50000 hours.

				SHANGHAI HONGBO ELECTRIC CO. LTD.	
				(TITLE):	
				MI22 Emergency stop button switch	
DR.	APPD.	SCALE.	countersign.	Date.	
		1:1		2019. 11. 26	
PW.		P.		(1/1)	
				(DWG NO):	
				SW-EM2211ADY12-J-HB	