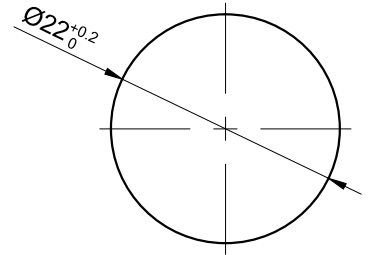
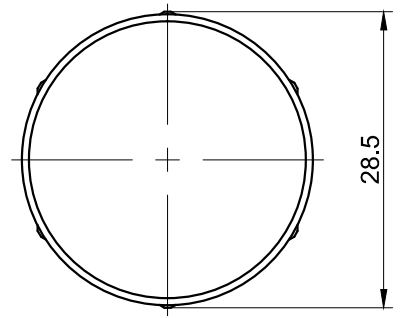
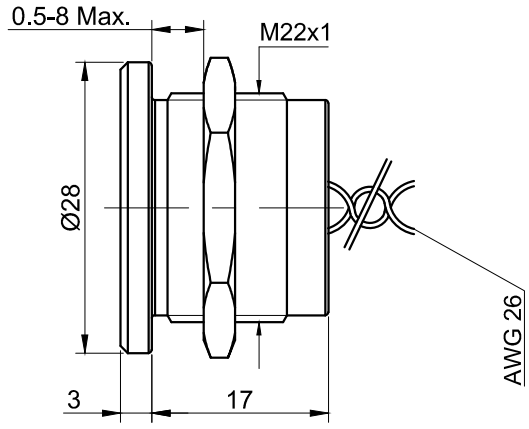
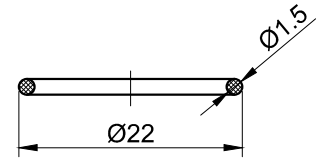


FOR 客户名称	APPROVED 客户确认签字	ATTN 销售负责人

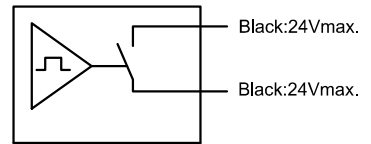


PANEL CUTOUT
MAX.PANEL THICKNESS
8 mm



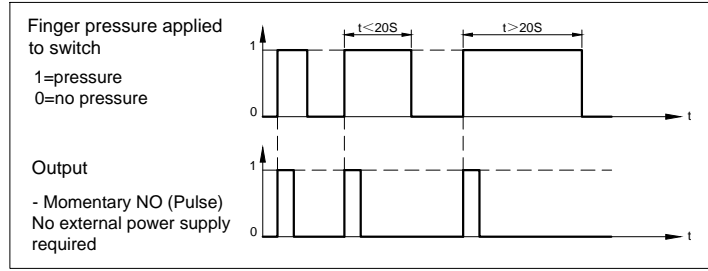
Seal Ring

Part Number:PS223P10Y◆1



Wiring Diagram

"◆"	Colour/Materials
NT	Natural anodized (Al alloy)
BU	Blue anodized (Al alloy)
BK	Black anodized (Al alloy)
GD	Gold anodized (Al alloy)
RD	Red anodized (Al alloy)
SS	Stainless steel
GN	Green anodized (Al alloy)



SPECIFICATIONS:

- 1.Switch Operation: Momentary NO (Pulse) .
- 2.Max.Switch Rating: 200mA 24VAC/DC.
- 3.Operation Life: 50 Million cycles.
- 4.Wiring: AWG 26, Length 300mm.
- 5.IP Class: IP69K.
- 6.Operating Temperature: -40°C~ +75°C.
- 7.Operating Force: About 5~10N.

MATERIALS:

- 1.Body:Al Alloy/Stainless steel.

BRAND 品牌	ONPOW	红波按钮制造有限公司 ONPOW PUSH BUTTON MANUFACTURE CO.,LTD.	
THESE DRAWINGS AND SPECIFICATIONS ARE THE PROPERTY OF ONPOW PUSH BUTTON MANUFACTURE CO.,LTD. AND SHALL NOT BE REPRODUCED COPIED OR USED IN ANY MANNER WITHOUT THE PRIOR WRITTEN CONSENT OF ONPOW PUSH BUTTON MANUFACTURE CO.,LTD.		USED 用途	APPD 审核 CH 2020/05/12
		FINISH 处理	CHKD 校对 NCH 2020/05/12
		SCALE 比例 1.4 / 1	UNIT 单位 mm
		DR. 制图 ZPD 2020/05/12	
DIMENSIONS		TOLERANCE	
0.00 TO 18.00mm		±0.43mm	
18.01 TO 30.00mm		±0.52mm	
30.01 TO 50.00mm		±0.62mm	
50.01 TO 80.00mm		±0.74mm	
TITLE 名称		Piezo electric Switch	
DWG NO. 图号		PS223P10不带灯	
FILE NAME 档案名称		SHEET 张	1 / 1
		REV. 更改	1

SIZE
图纸 A4