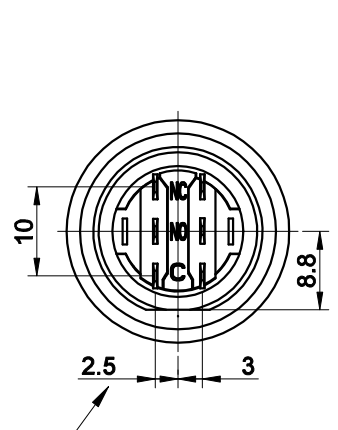
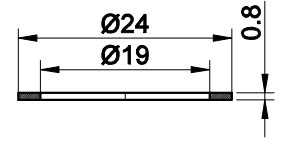
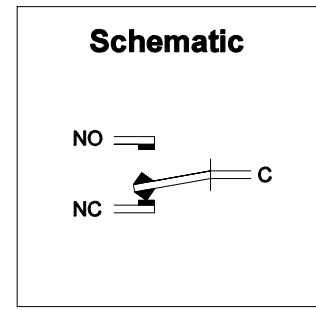
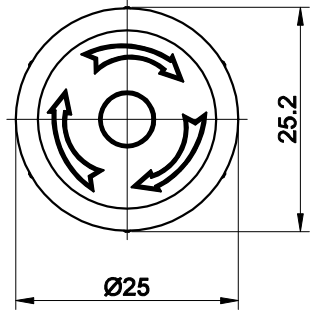
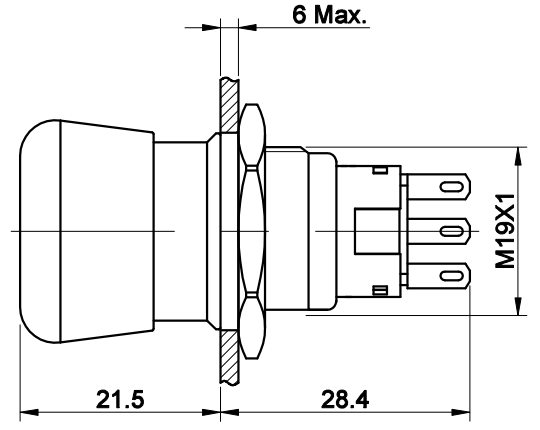


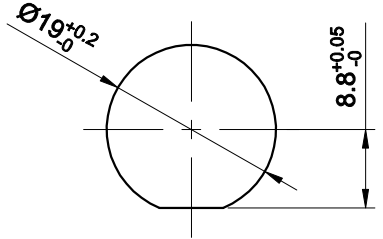
	FOR 客户名称	APPROVED 客户确认签字	ATTN 销售负责人



1NO1NC in this way



Seal Ring



PANEL CUTOUT

Part Number: LAS1-AGQ-□TSB

□	Contact Structure
11	1NO 1NC
22	2NO 2NC

**SPECIFICATIONS:**

1. Switch Rating: AC220V/0.5A, DC110V/0.1A.
2. Mechanical Life: ≥200,000cycles.
3. Electrical Life: ≥50,000cycles.
4. Contact Resistance: ≤50mΩ.
5. Insulation Resistance: ≥1,000MΩ.
6. Dielectric Strength: 1,500V, RMS 50Hz, 1min.
7. Operating Temperature: -25°C ~ +55°C (No Freezing).
8. Operating Travel: About 3.1mm.
9. Torque: About 0.6Nm max. applied to nut.
10. Protection degree: IP65; IK02.
11. Terminal Type: Pin Terminal (2.8 x 0.5mm).

**MATERIALS:**

1. Contact: Silver alloy.
2. Button: Al alloy (red).
3. Body: Al alloy (yellow).
4. Base: PBT.

BRAND 品牌 <b>ONPOW</b>	<b>红波按钮制造有限公司</b> ONPOW PUSH BUTTON MANUFACTURE CO.,LTD.						
	USED 用途	APPD 审核	CH 2020/10/10				
THESE DRAWINGS AND SPECIFICATIONS ARE THE PROPERTY OF ONPOW PUSH BUTTON MANUFACTURE CO.,LTD. AND SHALL NOT BE REPRODUCED COPIED OR USED IN ANY MANNER WITHOUT THE PRIOR WRITTEN CONSENT OF ONPOW PUSH BUTTON MANUFACTURE CO.,LTD.	FINISH 处理	CHKD 校对	NCH 2020/10/10				
	SCALE 比例	UNIT 单位	DR. 制图	ZPD 2020/10/10			
DIMENSIONS	TOLERANCE	TITLE 名称					
0.00 TO 18.00mm	±0.43mm	名称			GQ Series Anti-vandal push button		
18.01 TO 30.00mm	±0.52mm	DWG NO. 图号			LAS1-AGQ-TSB		
30.01 TO 50.00mm	±0.62mm	FILE NAME 档案名称			LAS1-AGQ-TSB.DWG	SHEET 张	1 / 1
50.01 TO 80.00mm	±0.74mm						