

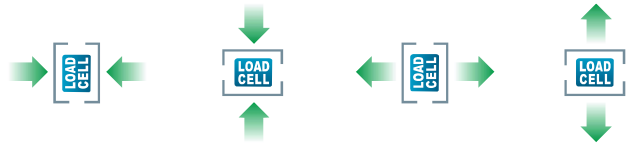
S-STYLE LOAD CELL

S-style load cell series: **L301**; Rated load: **100kg~5000kg**

Material: alloy steel

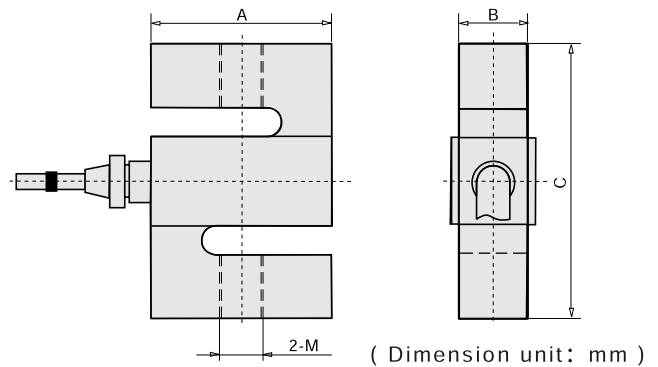
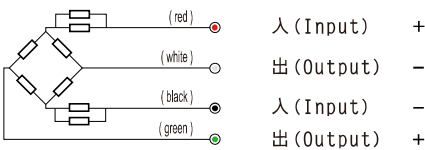


Load instruction



		A	B	C	M
301	10~50kg	51	12.7	64	M8
	100~500kg	51	19	76	M12
	750~1500kg	50.8	25.4	76	M12×1.75
	2000~5000kg	76.2	25.4	108	M18×1.5
301B	250~500lb	50.8	19	76	1/2-20UNF
301C	20~100kg	50	12.5	62	M6×1
	150~1000kg	50	25	62	M12×2.5
	1500~3000kg	75	27	100	M20×1.5
	5000kg	90	40	140	M24×2
301S	1000~3000kg	60	30	80	M16

Alloy steel structure; Glue sealing, nickel plated, waterproof and anti-corrosion, suitable for multiform environments; suitable for electronic hanging scale, vibratory feeding equipment and other electronic weighing devices.



It uses 4-core shielded cable, Specifications: $\varnothing 5 \times 3000\text{mm}$

PARAMETERS

传感器量程	100kg / 150kg / 200kg / 250kg / 300kg / 500kg / 1000kg / 2000kg / 5000kg	Rated load
精度等级	C2 & C3	Precision
综合误差	$\pm 0.03\%FS$ & $\pm 0.02\%FS$	Comprehensive error
灵敏度	$2.0 \pm 0.004 \text{ mV/V (CZL-301 \& CZL-301S)}$ & $3.0 \pm 0.005 \text{ mV/V (CZL-301B \& CZL-301C)}$	Rated output
蠕变	$\pm 0.024\%FS/30\text{min}$ & $\pm 0.016\%FS/30\text{min}$	Creep
零点输出	$\pm 1.0 \%FS$	Zero balance
输入阻抗	$350 \pm 5 \ \Omega$	Input resistance
输出阻抗	$350 \pm 3 \ \Omega$	Output resistance
绝缘电阻	$\geq 5000M \ \Omega (100VDC)$	Insulation resistance
灵敏度温度影响	$\pm 0.017\%FS/10^\circ C$ & $\pm 0.011\%FS/10^\circ C$	Temp.effect on span
零点温度影响	$\pm 0.023 \%FS/10^\circ C$ & $\pm 0.015\%FS/10^\circ C$	Temp.effect on zero
温度补偿范围	$-10 \sim +40 \ ^\circ C$	Compensated temp.range
使用温度范围	$-20 \sim +55 \ ^\circ C$	Use temp.range
激励电压	$9 \sim 12 \ VDC$	Excitation voltage
安全过载范围	150 %	Safe overload
极限过载范围	200 %	Ultimate overload
防护等级	IP66	Defend grade