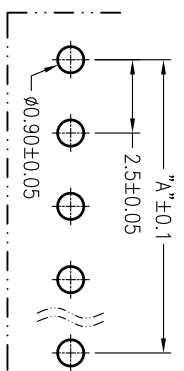
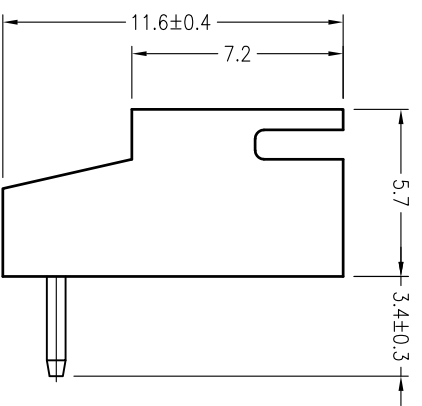
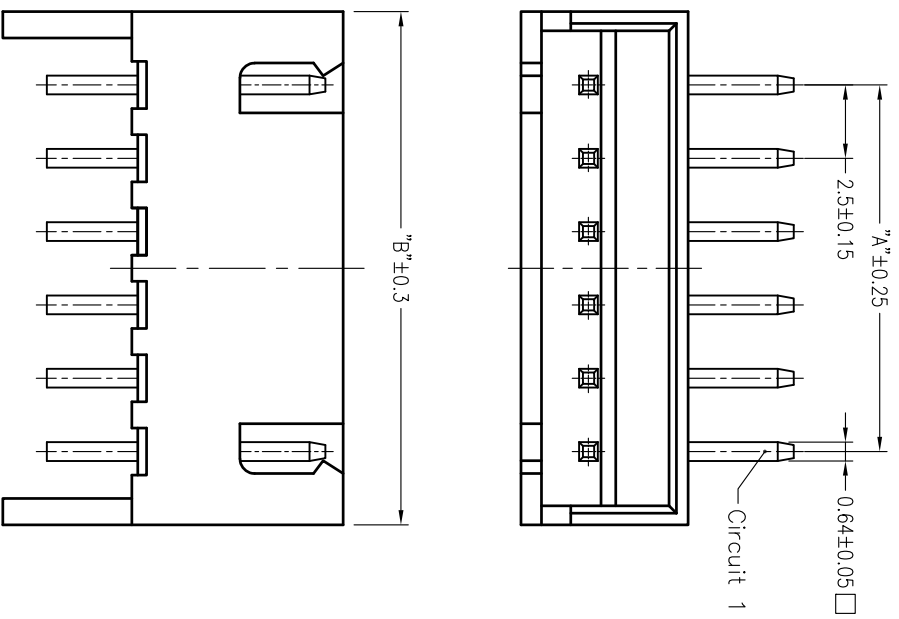


Poles	DIM.A	DIM.B
2A	2.5	7.5
3A	5.0	10.0
4A	7.5	12.5
5A	10.0	15.0
6A	12.5	17.5
7A	15.0	20.0
8A	17.5	22.5
9A	20.0	25.0
10A	22.5	27.5
11A	25.0	30.0
12A	27.5	32.5
13A	30.0	35.0
14A	32.5	37.5
15A	35.0	40.0



P.C.B. LAYOUT

■ 技术参数 SPECIFICATIONS

- ◆ 适用线规: AWG#28~#22
 - ◆ Applicable Wire: AWG#28~#22
 - ◆ 额定电压: 250V DC/AC(rms)
 - ◆ Rated voltage: 250V DC/AC(rms)
 - ◆ 额定电流: 3A (AWG #22)
 - ◆ Rated Current: 3A (AWG #22)
 - ◆ 耐压值: 1000V AC/minute
 - ◆ Withstand voltage: 1000V AC/min.
 - ◆ 工作温度: -25°C ~ +85°C
 - ◆ Working Temp : -25°C ~ +85°C
 - ◆ 绝缘电阻: ≥1000 MΩ
 - ◆ Insulation resistance: ≥1000 MΩ
 - ◆ 接触电阻: ≤20 mΩ
 - ◆ Contact resistance: ≤20 mΩ
- 材料 MATERIAL
- ◆ 绝缘体: 尼龙66, UL94-V2
 - ◆ Insulator: Nylon66, UL94-V2
 - ◆ 接触针: 黄铜
 - ◆ Contact PIN: Brass



GENERAL TOLERANCE

XX. ±0.40	
X. ±0.30	
.X ±0.25	X.° ± 2°
.XX ±0.15	.X° ± 1°

SCALE: 4:1

UNIT: mm

SIZE: A4

DRAWN: 柴艳妮

CHECK: 于 腾

APPROVE: 肖志军

DATE: 2014. 3. 31

DATE: 2014. 3. 31

DATE: 2014. 3. 31

DOC. NO: JD-Y-E65

PARTS NO: XH-NAW(D)

TITLE: 工程图

REV. A

SHEET: 1/1