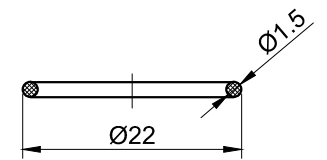
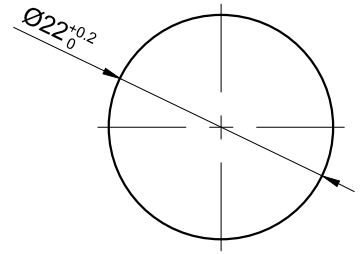
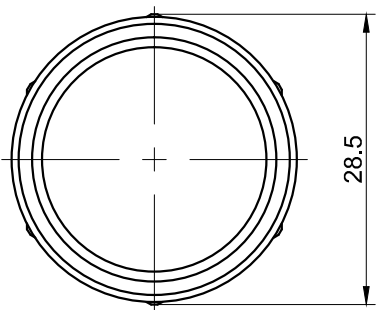
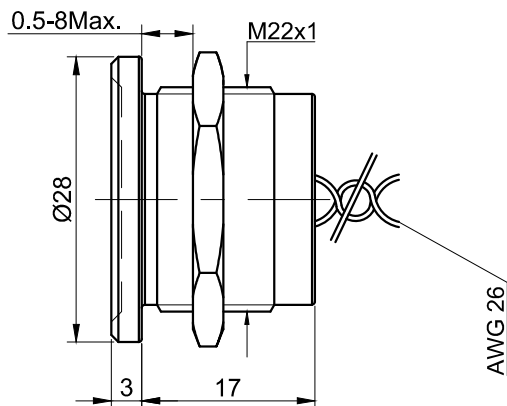


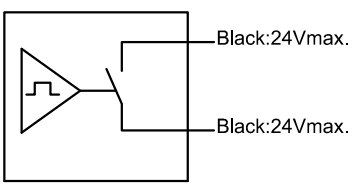
FOR 客户名称	APPROVED 客户确认签字	ATTN 销售负责人



PANEL CUTOUT
MAX.PANEL THICKNESS
8 mm

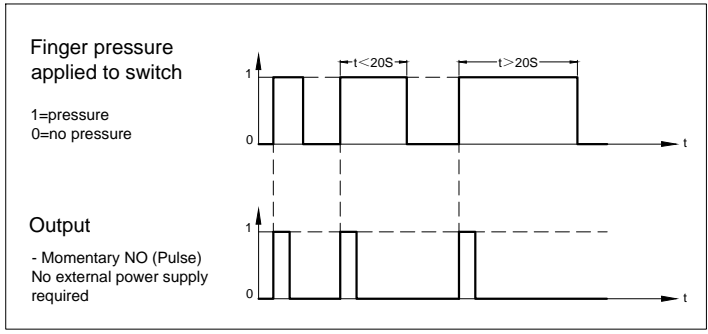
Seal Ring

Part Number:PS223Z10Y◆1



Wiring Diagram

"◆"	Colour/Materials
NT	Natural anodized (Al alloy)
BU	Blue anodized (Al alloy)
BK	Black anodized (Al alloy)
GD	Gold anodized (Al alloy)
RD	Red anodized (Al alloy)
SS	Stainless steel
GN	Green anodized (Al alloy)



SPECIFICATIONS:

- 1.Switch Operation: Momentary NO (Pulse).
- 2.Max.Switch Rating: 200mA 24VAC/DC.
- 3.Operation Life: 50 Million cycles.
- 4.Wiring: AWG 26, Length 300mm.
- 5.IP Class: IP69K.
- 6.Operating Temperature: -40℃~ +75℃.
- 7.Operating Force: About 5~10N.

MATERIALS:

- 1.Body:Al Alloy/Stainless steel .

BRAND 品牌	ONPOW	红波按钮制造有限公司 ONPOW PUSH BUTTON MANUFACTURE CO.,LTD.	
THESE DRAWINGS AND SPECIFICATIONS ARE THE PROPERTY OF ONPOW PUSH BUTTON MANUFACTURE CO.,LTD. AND SHALL NOT BE REPRODUCED COPIED OR USED IN ANY MANNER WITHOUT THE PRIOR WRITTEN CONSENT OF ONPOW PUSH BUTTON MANUFACTURE CO.,LTD.		USED 用途	APPD 审核 CH 2020/05/12
		FINISH 处理	CHKD 校对 NCH 2020/05/12
		SCALE 比例 1.4 / 1	UNIT 单位 mm
		DR. 制图	ZPD 2020/05/12
DIMENSIONS	TOLERANCE	TITLE 名称 Piezo electric Switch	
0.00 TO 18.00mm	±0.43mm	DWG NO. 图号 PS223Z10Y 不带灯	
18.01 TO 30.00mm	±0.52mm		
30.01 TO 50.00mm	±0.62mm		
50.01 TO 80.00mm	±0.74mm		
FILE NAME 档案名称 PS223Z.DWG		SHEET 张	1 / 1
		REV. 更改	1