

1

2

3

4

5

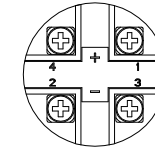
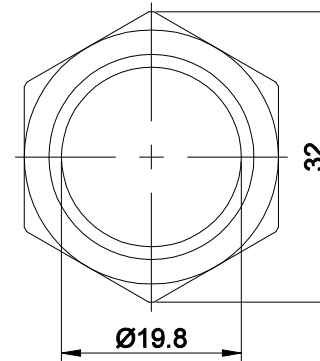
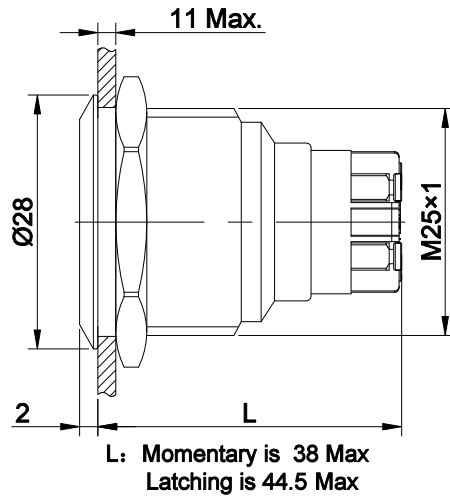
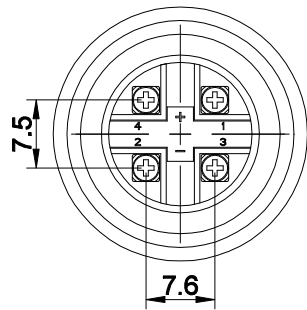
6

7

FOR
客户名称APPROVED
客户确认签字ATTN
销售负责人

A

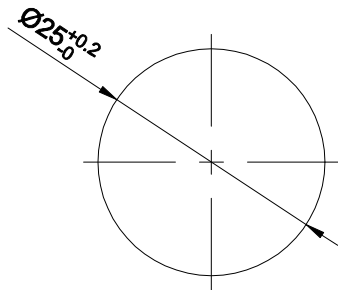
A



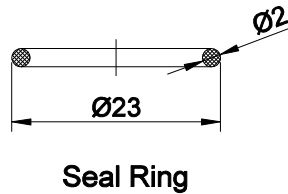
Contact Composition
1,2 are normal closed(NC);
3,4 are normal opened(NO).

B

B



PANEL CUTOUT



Part Number: GQ25-L-11 ■ /S

"■"	Operation mode
No Letter	Momentary
Z	Latching

C

C

SPECIFICATIONS:

- 1.Switch Rating: AC220V/2A, DC220V/0.1A.
- 2.Mechanical Life: $\geq 1,000,000$ cycles.
- 3.Electrical Life: $\geq 50,000$ cycles.
- 4.Contact Resistance: ≤ 50 m Ω .
- 5.Insulation Resistance: ≥ 100 M Ω (500VDC).
- 6.Dielectric Strength: 1,500V, RMS 50Hz, 1min.
- 7.Operating Temperature: -25°C ~ +55°C (No Freezing).
- 8.Operating Force: About 4N(IP65), About 5N(IP67).
- 9.Operating Travel: About 2.5mm.
- 10.Torque: About 0.8Nm max.applied to nut.
- 11.IP Class: IP65,IP67(Momentary can be made to order).
- 12.Terminal Type: Screw Terminal.

MATERIALS:

- 1.Contact: Silver alloy.
- 2.Button: Stainless steel.
- 3.Body: Stainless steel.
- 4.Base: PA.

D

D

E

E

BRAND 品牌		红波按钮制造有限公司		
ONPOW 欧宝龙®		ONPOW PUSH BUTTON MANUFACTURE CO.,LTD.		
THESE DRAWINGS AND SPECIFICATIONS ARE THE PROPERTY OF ONPOW PUSH BUTTON MANUFACTURE CO.,LTD. AND SHALL NOT BE REPRODUCED COPIED OR USED IN ANY MANNER WITHOUT THE PRIOR WRITTEN CONSENT OF ONPOW PUSH BUTTON MANUFACTURE CO.,LTD.		USED 用途	APPD 审核	CH 2022/01/18
		FINISH 处理	CHKD 校对	NCH 2022/01/18
		SCALE 比例	UNIT 单位	DR. 制图
		1.2 : 1	mm	YDY 2022/01/18
DIMENSIONS		TOLERANCE		
0.00 TO 3.00mm		± 0.25 mm		
3.01 TO 6.00mm		± 0.30 mm		
6.01 TO 10.00mm		± 0.36 mm		
10.01 TO 18.00mm		± 0.43 mm		
18.01 TO 30.00mm		± 0.52 mm		
30.01 TO 50.00mm		± 0.62 mm		
50.01 TO 80.00mm		± 0.74 mm		
TITLE 名称		GQ Series Anti-vandal push button		
DWG NO. 图号		GQ25-L		SIZE 图纸 A4
FILE NAME 档案名称		GQ25-L.DWG	SHEET 张	1 / 1
Government standard: GB/T 1800.1-2009; Grade of tolerance: IT14.		REV. 更改	1	

1

2

3

4

5

6

7